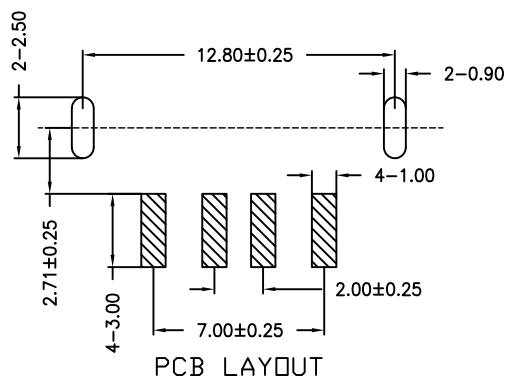
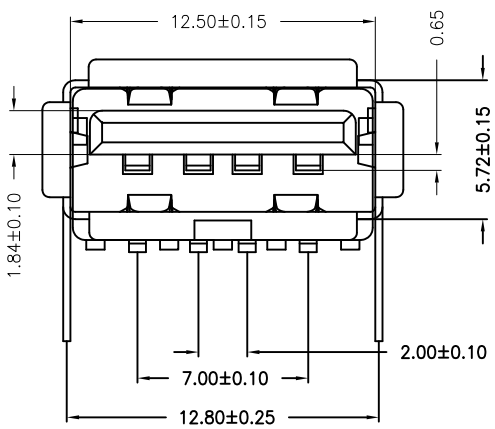
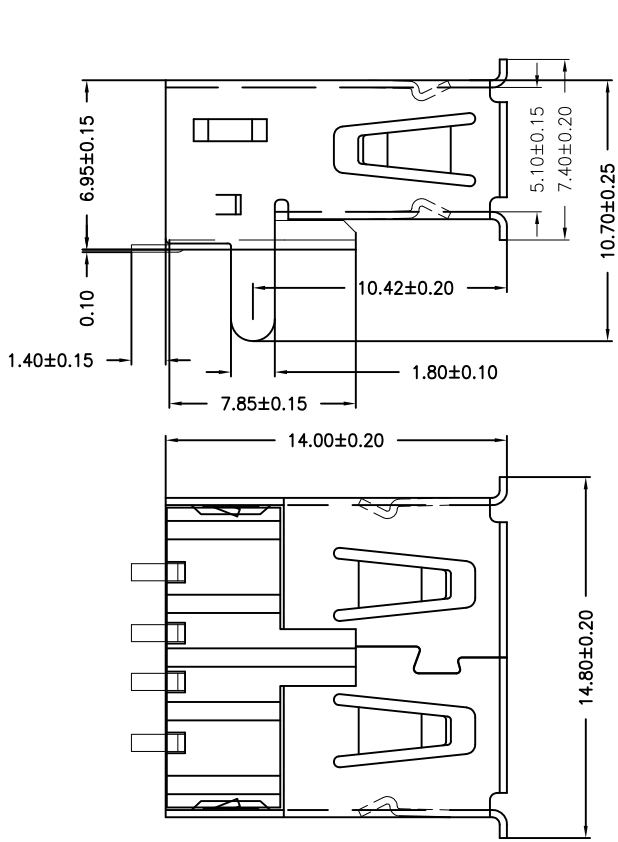


目錄 <i>MAPX</i>	設變內容 <i>MODIFICATION</i>	日期 <i>DATE</i>



NOTES:  
Housing: Thermoplastics,UL94V-0  
Contact: Copper Alloy  
Shell: Copper Alloy/Steel  
Voltage Current Rating:1.5 AMP. 30V AC  
Insulation Resistance:1000MΩ Min.  
Contact Resistance:30 MΩ Max.  
Dielectric Withstanding Voltage:500W AC  
Temperature Range:-35°C to +85°C  
Insulator color: Black/White  
Plastic material:PBT/LCP/Others  
Shell finish:Nickel plated/Tin-Lead plated  
Mechanical:  
Mating Force:3.5KG MAX  
Unmating Force:1.02 KG MIN.  
Contact finish:  
01:Selective Gold Flash  
02:Selective Gold 3U”  
03:Selective Gold 5U”  
04:Selective Gold 15U”  
05:Selective Gold 30U”

产品图 PRODUCT CHART DWG				深圳市精拓金电子有限公司						
公差一览表 TOLERANCE UNLESS OTHERWISE				单位 UNITS	MM	制图 DRAWING	Z-Y-B	产品料号 PRODUCT PART NO.	903-232A2031S10110	
X.	±0.25	X’.	±5’	比例 SCALE	1:1	审核 CHKD	产品名称 PRODUCT NO.	AF无后盖直脚有边内弹14.0 铜壳T型LCP本色SMT		
.X	±0.20	.X’.	±2’					日期 DATE	2015.03.14	核准 APPD
.XX	±0.15	.XX’.	±1’							
.XXX	±0.10	.XXX’.	±0.5’							