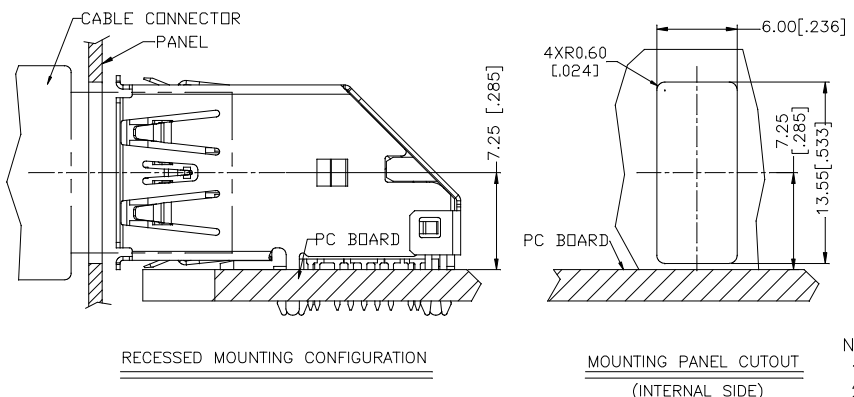
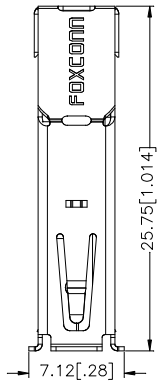


REV.	ECN. NO.	APPD.
A	BC-15-0048948	ADWARD
B	BC-16-0010479	ADWARD



PRODUCT NO.: UEA 1 9 1 3 - 4 0 0 6 3 - 4 F

Series Prefix  
UEA: USB 3.0 A TYPE

Contact type  
1: Receptacle

Termination Type  
9: Up-Right

No. of Contact Position  
1: 9 Pos.

Lead Free Code  
F: Lead Free

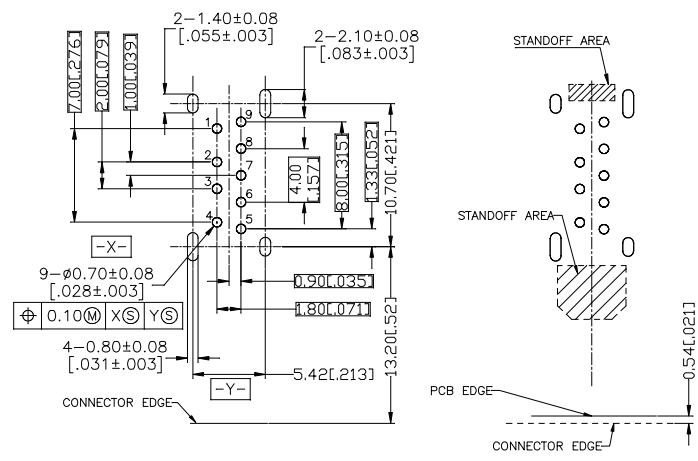
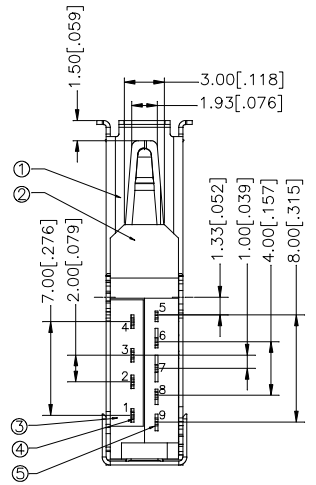
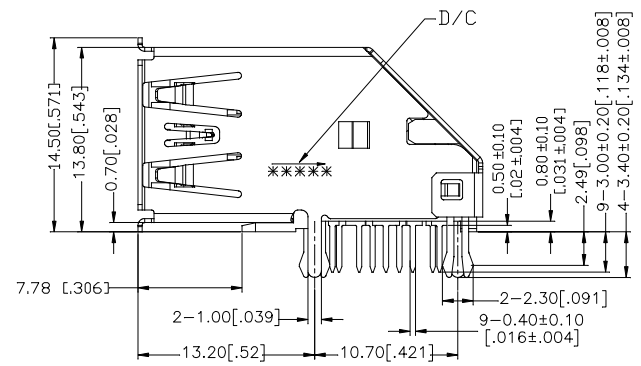
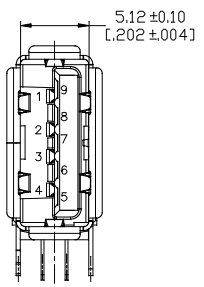
Package Code  
4: Soft Tray

Extension Code

Contact Area Plating  
3: 30u\* Min Gold Plating

- NOTES :
- SPECIFICATION MEETS USB3.0 STANDARD SPECIFICATION.
  - ELECTRICAL CHARACTERISTIC:
    - 2-1: CONTACT CURRENT RATING: 1.8 A FOR VBUS PIN AND ITS CORRESPONDING GND PIN, 0.25 A MIN FOR ALL OTHER CONTACTS.
    - 2-2: CONTACT RESISTANCE: 30 MILLIOHMS MAX. FOR VBUS AND GND CONTACTS. 50 MILLIOHMS MAX. FOR OTHER CONTACTS.
    - 2-3: DIELECTRIC WITHSTANDING VOLTAGE: 100VAC MIN.
    - 2-4: INSULATION RESISTANCE: 100 MEGOHMS MIN.
  - MECHANICAL CHARACTERISTIC:
    - 3-1: CONNECTOR INSERTION FORCE: 35N MAX. AT A MAXIMUM RATE OF 12.5MM PER MINUTE.
    - 3-2: CONNECTOR EXTRACTION FORCE: 10N MIN INITIAL, 8N MIN AFTER DURABILITY. AT A MAXIMUM RATE OF 12.5MM PER MINUTE.
    - 3-3: DURABILITY: 5000 CYCLES.
    - 3-4: OPERATING TEMPERATURE: -55° C ~ +85° C.
  - DIMENSIONS ARE IN MILLIMETERS, BRACKETED DIMENSIONS ARE INCHES EQUIVALENTS.
  - RECOMMENED PROCESS: WAVE SOLDER 260±5° C, 3~5SECONDS.
  - THE CONNECTOR IS ROHS COMPLIANT.
  - PIN ASSIGNMENT:

PIN No.	1	2	3	4	5	6	7	8	9
SIGNAL NAME	VBUS	D-	D+	GND	SSRX-	SSRX+	GND_DRAIN	SSTX-	SSTX+
REMARK	USB2 Contact Pin			USB3 Contact Pin					



RECOMMENDED P.C.B. LAYOUT (COMPONENT SIDE VIEW)  
THK=2.34 [0.092] ALL TOL IS ±0.05 [0.002]

5	USB3.0 CONTACT	5	BRASS	30u" MIN Au PLATING AT CONTACT AREA
4	USB2.0 CONTACT	4	BRASS	100u" MIN LEAD FREE TIN ALLOY PLATING AT SOLDER AREA.
3	INNER INSULATOR-2	1	PBT UL94V-0	50u" MIN Ni PLATING OVERALL
2	INNER INSULATOR-1	1	PBT UL94V-0	MOLDED COLOR: BLUE
1	SHELL	1	STAINLESS STEEL	MOLDED COLOR: BLUE
				50u" MIN LEAD-FREE Tin ALLOY PLATING AT SOLDER AREA.
				10u" MIN Ni UNDERPLATING OVERALL

NO.	DESCRIPTION	QTY.	MATERIAL	TREATMENT
X. ±	X' ±		UNITS mm [inch]	NAME (INTENDED USE)
.X ± 0.38 [0.015]	.X' ±		MAT'L N/A	CUSTOMER
.XX ± 0.25 [0.010]	.XX' ±		FINISH N/A	PART NO. (INTENDED USE)
.XXX ±	.XXX' ±		Q'TY N/A	APPD: Dean Zhang 03/15'16
THESE DRAWINGS AND SPECIFICATIONS ARE THE PROPERTY OF FOXCONN INTERCONNECT TECHNOLOGY LIMITED, AND SHALL NOT BE REPRODUCED COPIED OR USED IN ANY MANNER WITHOUT THE PRIOR WRITTEN CONSENT OF FOXCONN INTERCONNECT TECHNOLOGY LIMITED.				CHKD: David Wang 03/15'16
				DR: Tain Neng 03/15'16
				TITLE: USB3.0 UP RIGHT T/H TYPE
				DWG NO.: 327-0000-3287
				SCALE SHEET REV. N/A 1/1 B