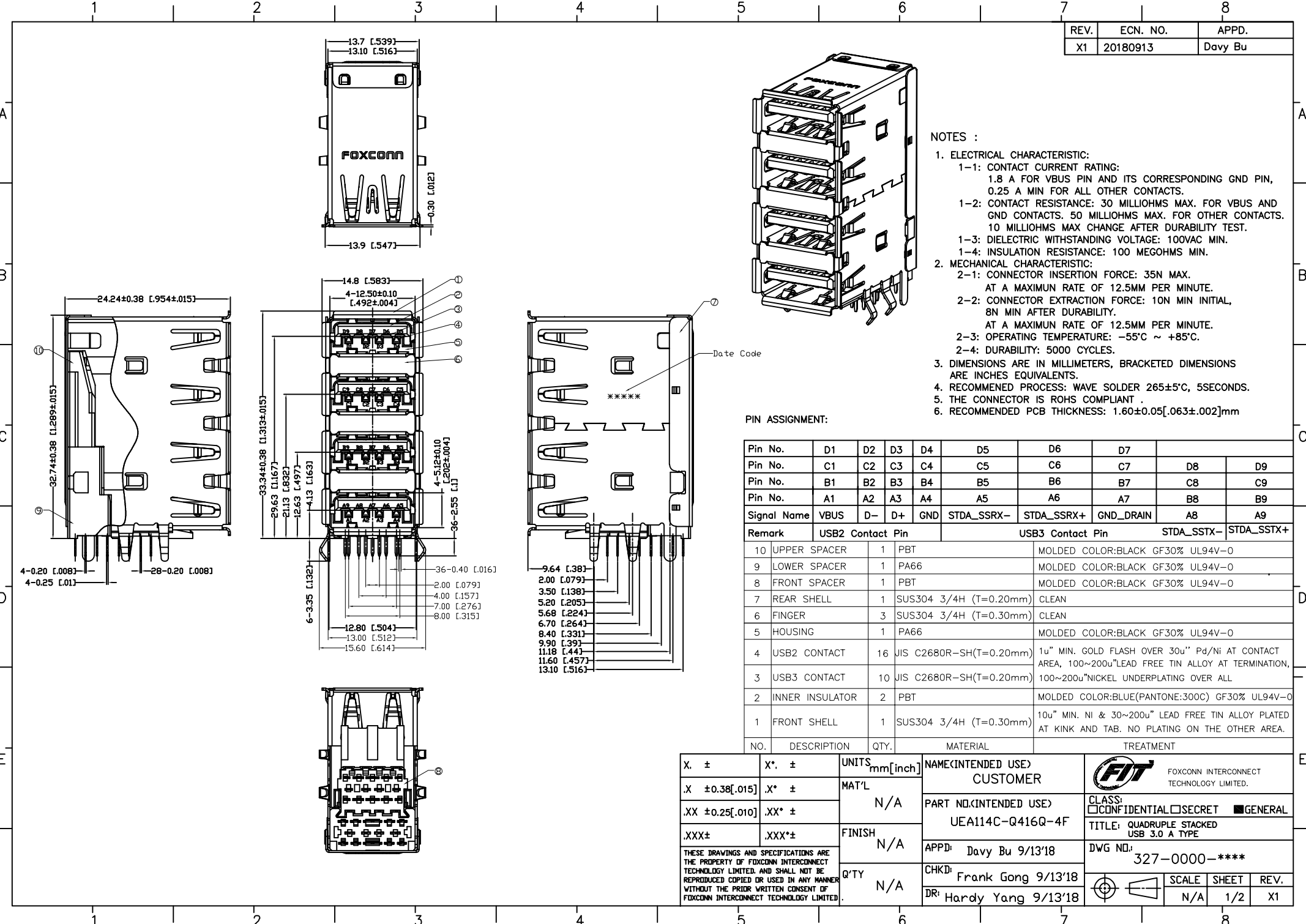


REV.	ECN. NO.	APPD.
X1	20180913	Davy Bu



NOTES :

- ELECTRICAL CHARACTERISTIC:
 - CONTACT CURRENT RATING:
1.8 A FOR VBUS PIN AND ITS CORRESPONDING GND PIN,
0.25 A MIN FOR ALL OTHER CONTACTS.
 - CONTACT RESISTANCE: 30 MILLIOHMS MAX. FOR VBUS AND
GND CONTACTS. 50 MILLIOHMS MAX. FOR OTHER CONTACTS.
10 MILLIOHMS MAX CHANGE AFTER DURABILITY TEST.
 - DIELECTRIC WITHSTANDING VOLTAGE: 100VAC MIN.
 - INSULATION RESISTANCE: 100 MEGOHMS MIN.
- MECHANICAL CHARACTERISTIC:
 - CONNECTOR INSERTION FORCE: 35N MAX.
AT A MAXIMUN RATE OF 12.5MM PER MINUTE.
 - CONNECTOR EXTRACTION FORCE: 10N MIN INITIAL,
8N MIN AFTER DURABILITY.
AT A MAXIMUN RATE OF 12.5MM PER MINUTE.
 - OPERATING TEMPERATURE: -55°C ~ +85°C.
 - DURABILITY: 5000 CYCLES.
- DIMENSIONS ARE IN MILLIMETERS, BRACKETED DIMENSIONS
ARE INCHES EQUIVALENTS.
- RECOMMENED PROCESS: WAVE SOLDER 265±5°C, 5SECONDS.
- THE CONNECTOR IS ROHS COMPLIANT .
- RECOMMENDED PCB THICKNESS: 1.60±0.05[.063±.002]mm

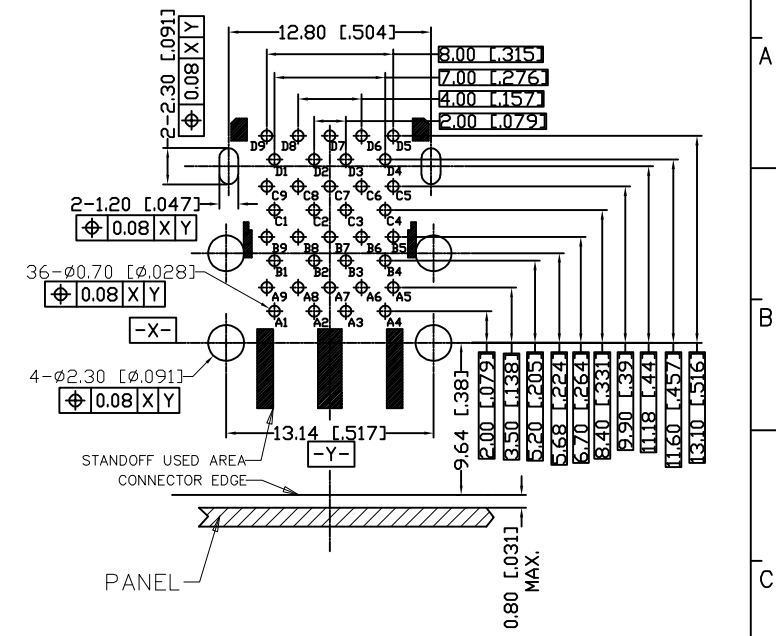
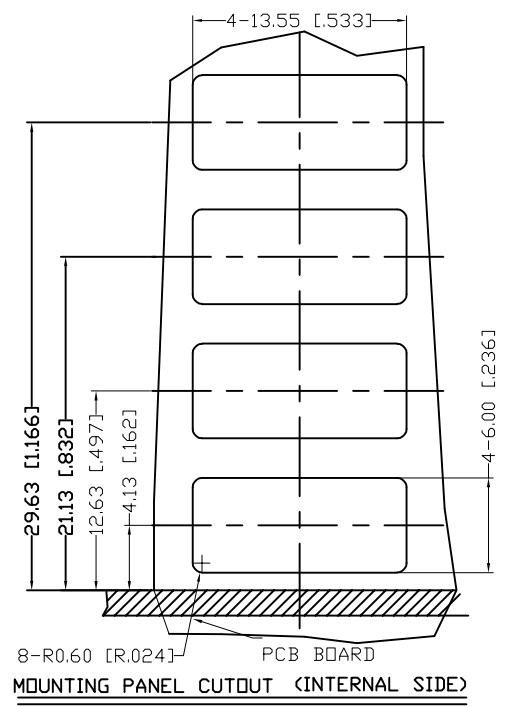
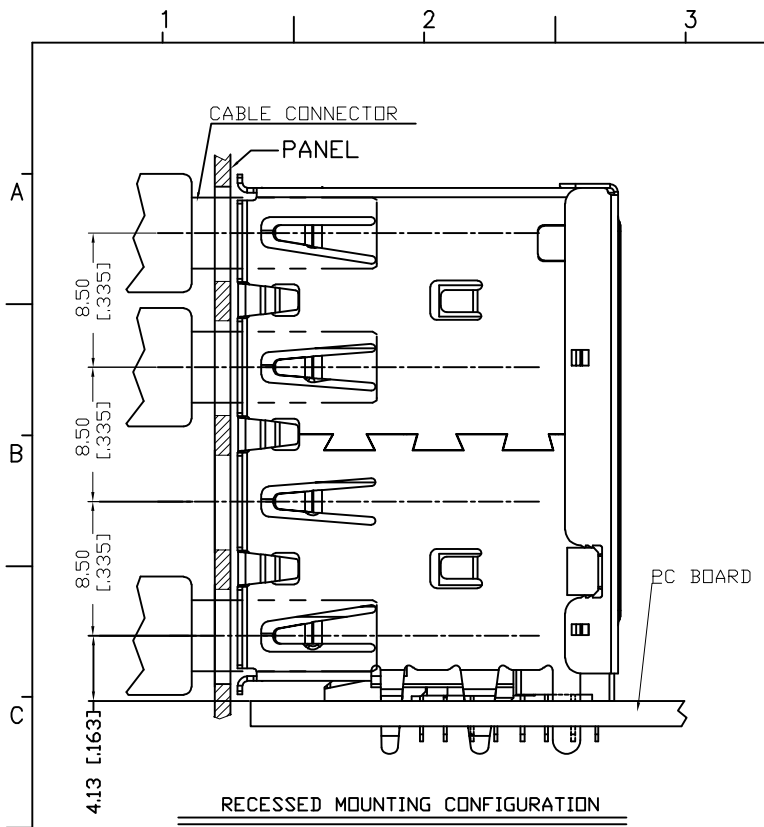
PIN ASSIGNMENT:

Pin No.	D1	D2	D3	D4	D5	D6	D7		
Pin No.	C1	C2	C3	C4	C5	C6	C7	D8	D9
Pin No.	B1	B2	B3	B4	B5	B6	B7	C8	C9
Pin No.	A1	A2	A3	A4	A5	A6	A7	B8	B9
Signal Name	VBUS	D-	D+	GND	STDA_SSRX-	STDA_SSRX+	GND_DRAIN	A8	A9

Remark	USB2 Contact Pin	USB3 Contact Pin	STDA_SSTX-	STDA_SSTX+
10 UPPER SPACER	1 PBT	MOLDED COLOR:BLACK GF30% UL94V-0		
9 LOWER SPACER	1 PA66	MOLDED COLOR:BLACK GF30% UL94V-0		
8 FRONT SPACER	1 PBT	MOLDED COLOR:BLACK GF30% UL94V-0		
7 REAR SHELL	1 SUS304 3/4H (T=0.20mm)	CLEAN		
6 FINGER	3 SUS304 3/4H (T=0.30mm)	CLEAN		
5 HOUSING	1 PA66	MOLDED COLOR:BLACK GF30% UL94V-0		
4 USB2 CONTACT	16 JIS C2680R-SH(T=0.20mm)	1u" MIN. GOLD FLASH OVER 30u" Pd/Ni AT CONTACT AREA, 100~200u"LEAD FREE TIN ALLOY AT TERMINATION,		
3 USB3 CONTACT	10 JIS C2680R-SH(T=0.20mm)	100~200u" NICKEL UNDERPLATING OVER ALL		
2 INNER INSULATOR	2 PBT	MOLDED COLOR:BLUE(PANTONE:300C) GF30% UL94V-0		
1 FRONT SHELL	1 SUS304 3/4H (T=0.30mm)	10u" MIN. NI & 30~200u" LEAD FREE TIN ALLOY PLATED AT KINK AND TAB. NO PLATING ON THE OTHER AREA.		
NO.	DESCRIPTION	QTY.	MATERIAL	TREATMENT

X. ±	X*. ±	UNITS	mm[inch]	NAME(INTENDED USE)	CUSTOMER	FOXCONN INTERCONNECT TECHNOLOGY LIMITED.
.X ±0.38[015]	.X* ±	MAT'L		PART NO.(INTENDED USE)		
.XX ±0.25[010]	.XX* ±		N/A	UEA114C-Q416Q-4F	CLASS:	<input type="checkbox"/> CONFIDENTIAL <input type="checkbox"/> SECRET <input checked="" type="checkbox"/> GENERAL
.XXX±	.XXX*±	FINISH	N/A	APPD: Davy Bu 9/13'18	TITLE: QUADRUPLE STACKED USB 3.0 A TYPE	
THESE DRAWINGS AND SPECIFICATIONS ARE THE PROPERTY OF FOXCONN INTERCONNECT TECHNOLOGY LIMITED, AND SHALL NOT BE REPRODUCED COPIED OR USED IN ANY MANNER WITHOUT THE PRIOR WRITTEN CONSENT OF FOXCONN INTERCONNECT TECHNOLOGY LIMITED.				Q'TY	N/A	DWG NO: 327-0000-****
				CHKD: Frank Gong 9/13'18	DR: Hardy Yang 9/13'18	SCALE SHEET REV. N/A 1/2 X1

SEE SHEET 1



RECOMMENDED P.C.B LAYOUT (COMPONENT SIDE)
 $T=1.6\pm0.05[0.063\pm0.02]mm$, DEFAULT TOLERANCE: $\pm0.05[0.002]$

PRODUCT NO.: UEA 1 1 4 C - Q416Q - 4 F

Series Prefix _____
 UEA: USB 3.0 A TYPE

Termination Type _____
 1: Right Angle Type

Connector Type _____
 1: Female

No. of Contact Position _____
 4: 36 Pos.

Pb Free Code _____
 F: Pb Free

Package Code _____
 4: Soft Tray Package

Extension Code _____

Contact Area Plating _____
 C: 30u" Pd/Ni +
 1u" Min. Gold Flash

X. ±	X*. ±	UNITS mm[inch]	NAME (INTENDED USE) CUSTOMER	 FOXCONN INTERCONNECT TECHNOLOGY LIMITED.						
.X ±0.38[.015]	.X* ±	MAT'L	PART NO. (INTENDED USE) UEA114C-Q416Q-4F							
.XX ±0.25[.010]	.XX* ±	N/A	APPD: Davy Bu 9/13'18	CLASS: <input type="checkbox"/> CONFIDENTIAL <input type="checkbox"/> SECRET <input checked="" type="checkbox"/> GENERAL TITLE: QUADRUPE STACKED USB 3.0 A TYPE						
.XXX ±	.XXX* ±	FINISH N/A	CHKD: Frank Gong 9/13'18	DWG NO: 327-0000-****						
THESE DRAWINGS AND SPECIFICATIONS ARE THE PROPERTY OF FOXCONN INTERCONNECT TECHNOLOGY LIMITED, AND SHALL NOT BE REPRODUCED COPIED OR USED IN ANY MANNER WITHOUT THE PRIOR WRITTEN CONSENT OF FOXCONN INTERCONNECT TECHNOLOGY LIMITED.			DR: Hardy Yang 9/13'18	<table border="1"> <tr> <td>SCALE</td> <td>SHEET</td> <td>REV.</td> </tr> <tr> <td>N/A</td> <td>2/2</td> <td>C</td> </tr> </table>	SCALE	SHEET	REV.	N/A	2/2	C
SCALE	SHEET	REV.								
N/A	2/2	C								