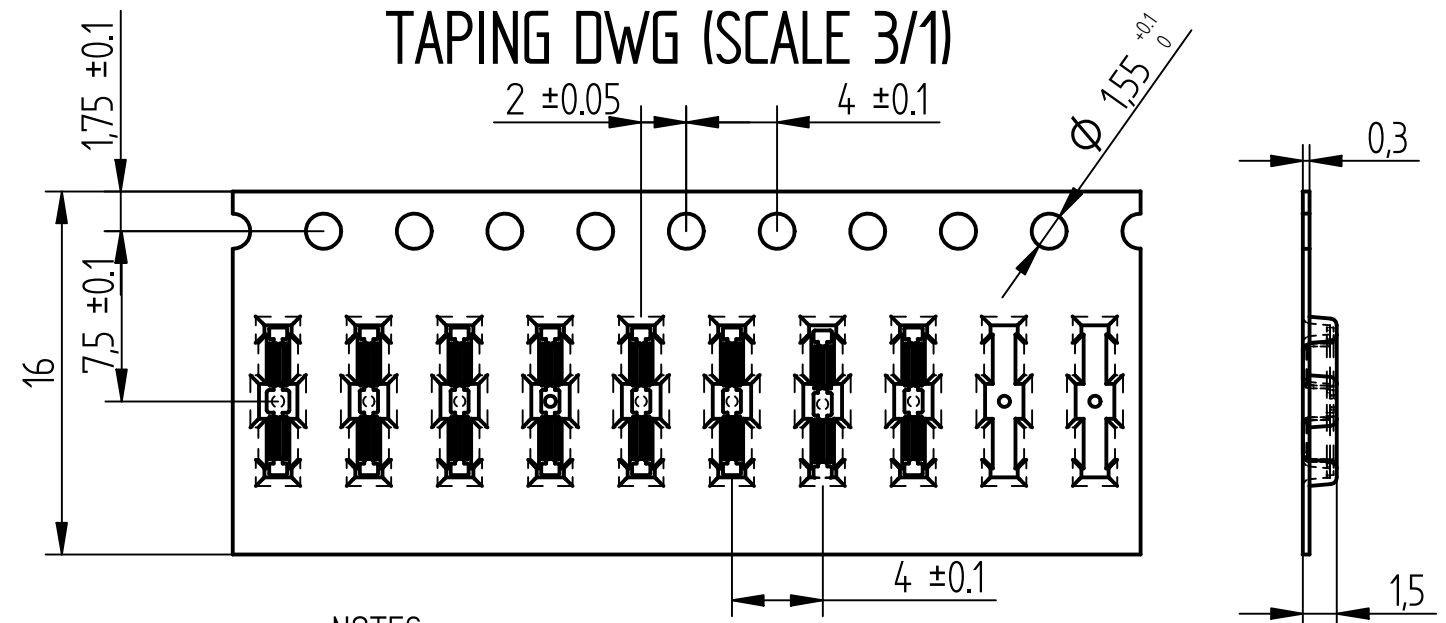
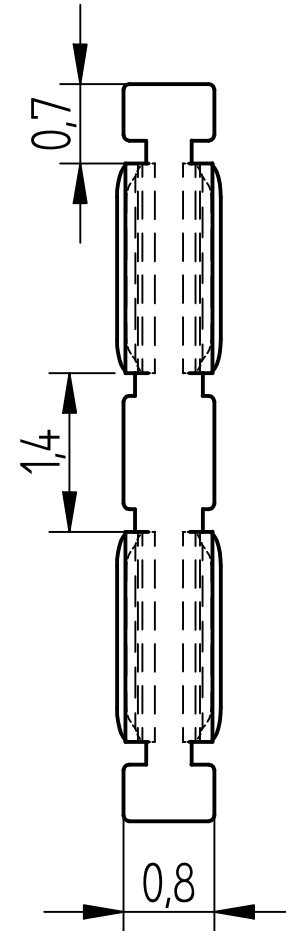
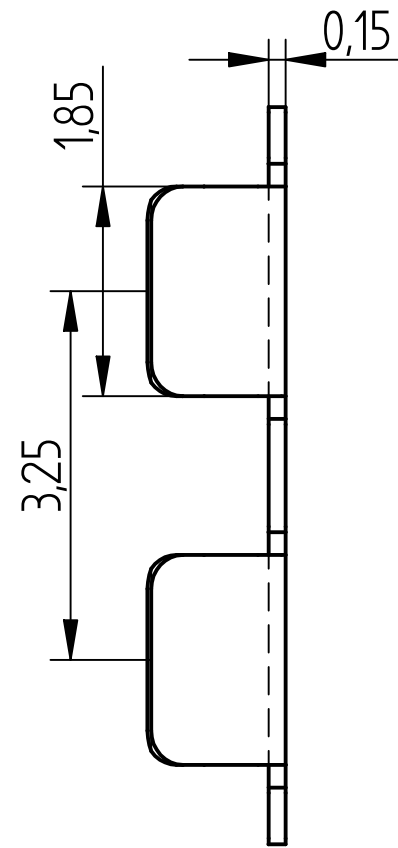
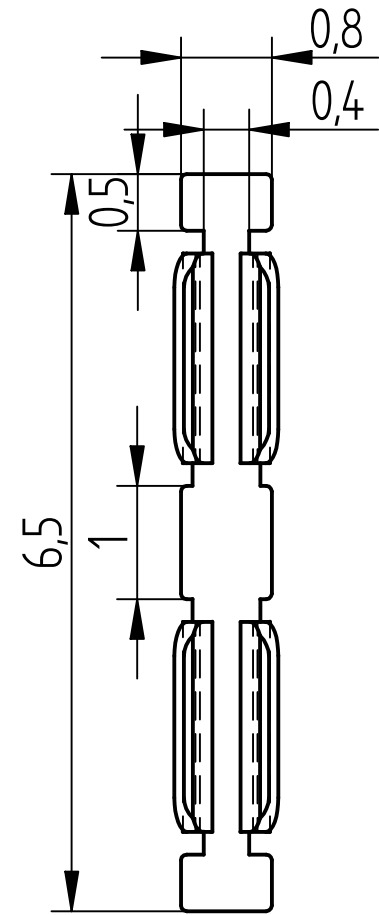


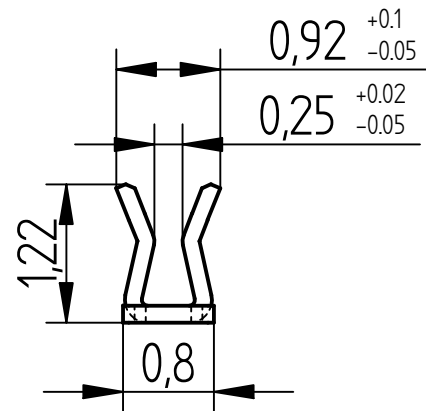
REVISION HISTORY			
REV	DESCRIPTION	DATE	APPROVED
A	N/M	2011.05.23	P.K.KOH
B	SHIELD CASE THICKNESS 0.3±0.02 => 0.3 + 0.02 -0	2011.06.09	P.K.KOH



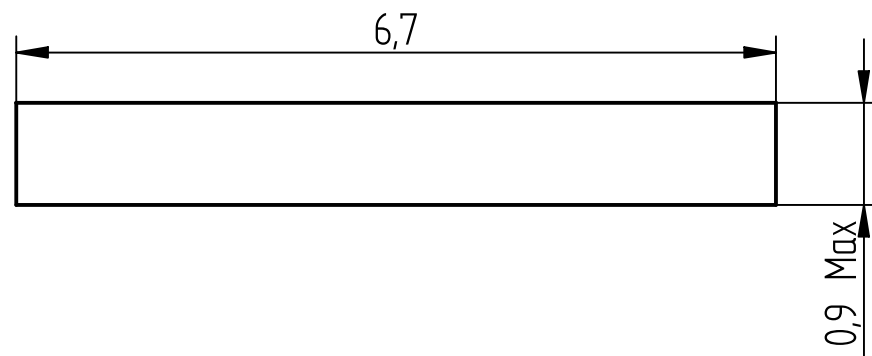
TAPING DWG (SCALE 3/1)

NOTES

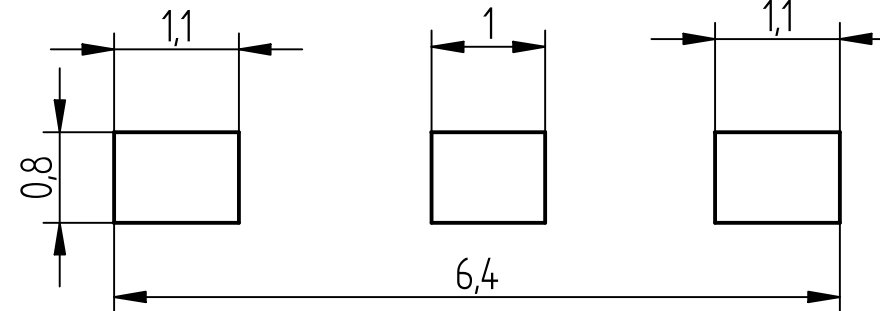
1. MATERIAL : STS301
2. MATERIAL THICKNESS : 0.15t
3. FINISHED : Sn(100%) PLATING ON BOTH SIDE
(NI 0.5µm Sn 1.27µm)
4. PACKING MATERIALS.
- REEL : HIPS 0.3t
- COVER TAPE : PS
- Q'TY/REEL : 10,000ea
5. AVAILABLE SHIELD CASE THICKNESS : 0.3 +0.02 -0
6. CONTACT RESISTANCE : MAX 300mΩ
7. STENCIL THICKNESS : 0.12T
8. MAINTAIN 90° ± 3 WHILE ENGAGE & DISENGAGE SHIELD CAN & SHIELD CLIP TO PREVENT DEFORMATION & TO MAINTAIN RETENTION FORCE OF SHIELD CLIP




SCALE : 15/1



RECOMMENDED PCB LAY-OUT



RECOMMENDED STENCIL LAY-OUT

APP.	DATA	NAME			
CHECK	2011.05.23	LEE			
DESIG.	2011.05.23	P.K.KOH			
UNLESS OTHERWISE SPECIFIED DIMENSIONS ARE IN MILLIMETERS TOLERANCES ARE ANGLES ± 0.3° 0~1 ± 0.05 1~5 ± 0.1 5~10 ± 0.15			TITLE	SHIELD CLIP	
SIZE	A3	DWG NO	ICSRC6508-030SFR	REV	B
FILE NAME: ICSRC6508-030SFR.dft			SCALE:	WEIGHT:	SHEET 1 OF 1