

GT-TC080X-HXXXX-LX

G-SWITCH

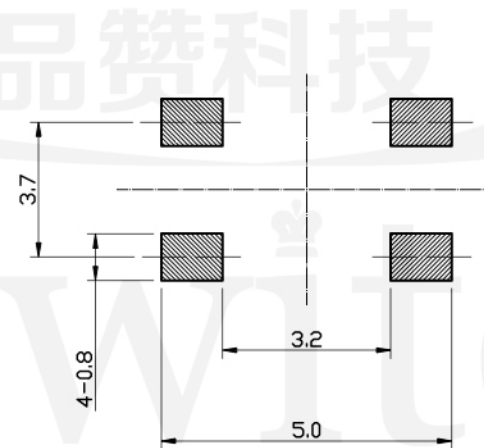
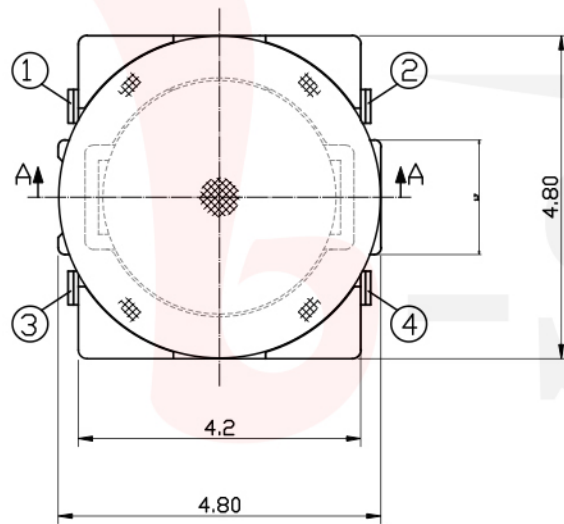
Operating Force
 A=160gf
 B=250gf
 C=100gf

Switch Height (mm)
 H0055=0.55mm

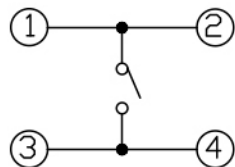
Switch lifetime (Force)
 L1=100,000 Cycles
 L5=500,000 Cycles

G-Switch Specification:

Operating temperature range : -30°Cto+85°C
 Rating : 50mA, 12V DC
 Insulation resistance : 100MΩ min. 100V DC
 Dielectric strength : 250V AC for 1 min
 Contact resistance : 100m Ω max.
 Travel: 0.20±0.05mm



P.C.B LAND DIMENSION



CIRCUIT DIAGRAM



Unless otherwise specified, Tolerance:
 X. ±0.30
 X.x ±0.20
 X.xx ±0.15
 X.xxx ±0.10
 Angles ±3°

G-Switch Electronic (HongKong) CO.,Ltd.

DESIGN FengFengChen	DATE 2019.05.29	Molde code:	
CHECKED	DATE	GT-TC080X-HXXXX-LX	
APPROVED	DATE	REV.: X1	SCALE: 4:1
http://www.dg-switch.com		UNIT: mm	
TEL:0769-82388879	SIZE: A4	SHEET: 1/1	