

MAPX	MODIFICATION	DATE

NOTES:

- 1.HOUSING: SEE NOTES,
- TERMINAL: SEE NOTES.
- SHELL: SEE NOTES.

SPECIFICATION:

- 1.ELECTRICAL CHARACTERISTIC:
  - CONTACT RESISTANCE: 30mΩ MAX
  - DIELECTRIC WITHSTANDING VOLTAGE: 500V AC FOR 1MIN
  - INSULATION RESISTANCE: 1000MΩ MIN
- 2.MECHANICAL CHARACTERISTIC:
  - INSERTION FORCE: 35N(3.57KGF) MAX
  - EXTRACTION FORCE: 10~35N(1.02~3.57KGF)MIN
  - DURABILITY: 1500 CYCLES EXTRACTION FORCE:10~35N  
5000 CYCLES MIN

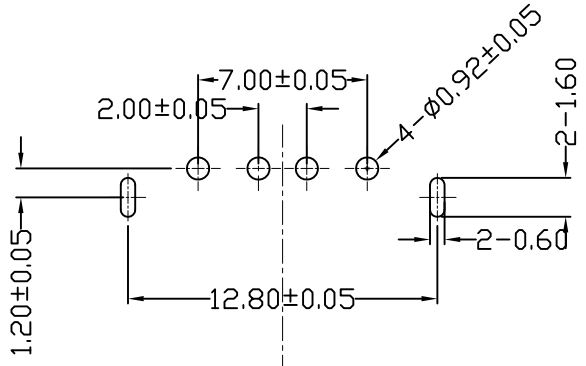
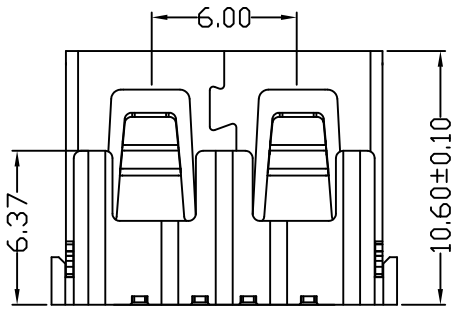
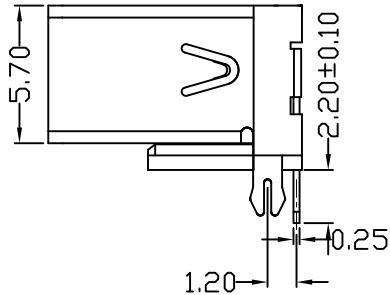
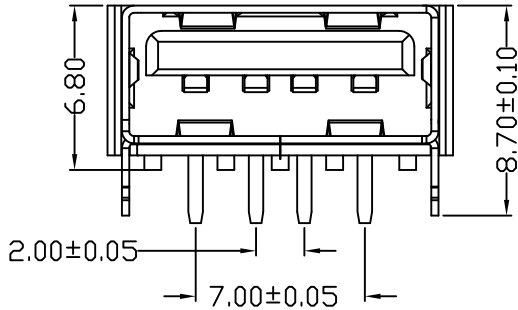
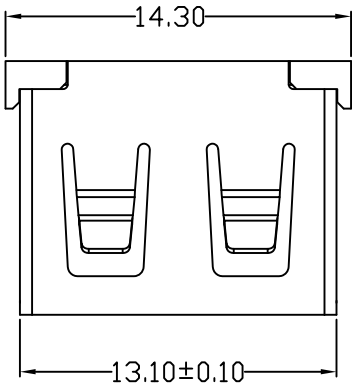
FORCE: 3~35N

3.ENVIRONMENTAL:

OPERATING TEMPERATURE: -55℃+85℃

4.Contact finish:

- 01: Selective Gold Flash
- 02: Selective Gold 3U"
- 03: Selective Gold 5U"
- 04: Selective Gold 15U"
- 05: Selective Gold 30U"



FRONT EDGE OF CONNECTOR  
PCB LAYOUT (T=1.60mm)

<p>产品图 PRODUCT CHART DWG</p> <p>公差一览表 TOLERANCE UNLESS OTHERWISE</p>				<p>深圳市精拓金电子有限公司</p>						
X.	±0.25	X.	±5°	单位 UNITS	MM	制图 DRAWING	尹先华	制图料号 PRODUCT PART NO.	912-221A1023D10100	
.X	±0.20	.X	±2°	比例 SCALE	1:1	审核 CHKD	郭志富	产品名称 PRODUCT NAME	AF10. 6D款后两脚无边方弹铁壳 PBT黑胶6.8DIP	
.XX	±0.05	.XX	±1°	日期 DATE	2012.09.24	核准 APPD	黄国荣	角法 VIEW	版本 VER	AD
.XXX	±0.03	.XXX	±0.5°							