

MAPX	MODIFICATION	DATE

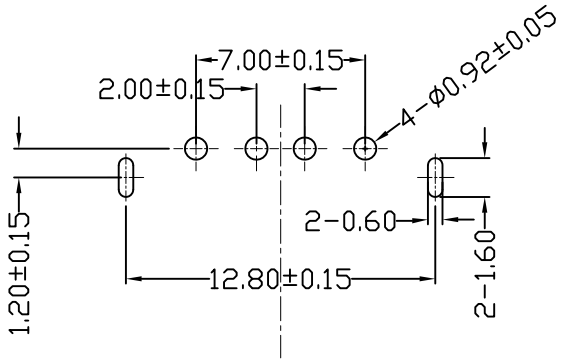
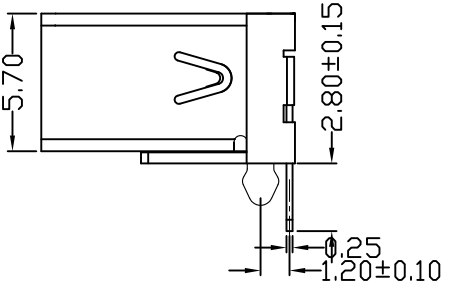
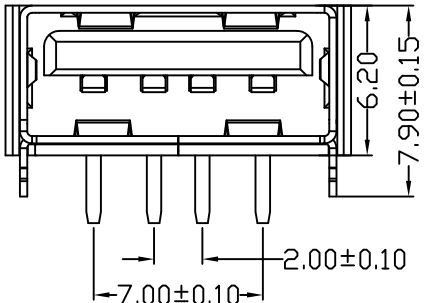
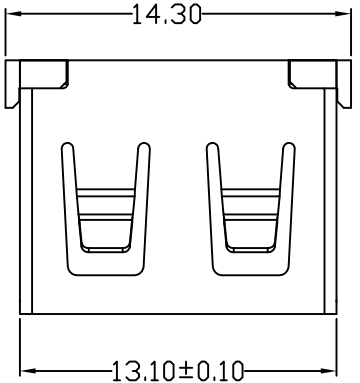
NOTES:  
 1.HOUSING: SEE NOTES.  
 TERMINAL: SEE NOTES.  
 SHELL: SEE NOTES.

SPECIFICATION:  
 1.ELECTRICAL CHARACTERISTIC:  
 CONTACT RESISTANCE: 30MΩ MAX  
 DIELECTRIC WITHSTANDING VOLTAGE: 500V AC FOR 1MIN  
 INSULATION RESISTANCE: 1000MΩ MIN

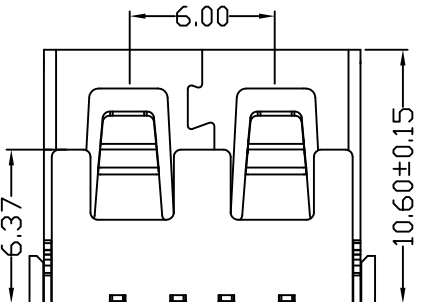
2.MECHANICAL CHARACTERISTIC:  
 INSERTION FORCE: 35N(3.57KGF) MAX  
 EXTRACTION FORCE: 10~35N(1.02~3.57KGF)MIN  
 DURABILITY: 1500 CYCLES EXTRACTION FORCE:10~35N  
 5000 CYCLES MIN  
 5000 CYCLES EXTRACTION FORCE:3~35N

3.ENVIRONMENTAL:  
 OPERATING TEMPERATURE: -55°C+85°C

4.Contact finish:  
 01:Selective Gold Flash  
 02:Selective Gold 3U"  
 03:Selective Gold 5U"  
 04:Selective Gold 15U"  
 05:Selective Gold 30U"



FRONT EDGE OF CONNECTOR  
 PCB LAYOUT (T=1.60mm)



产品图 PRODUCT CHART DWG		深圳市精拓金电子有限公司							
公差一览表 TOLERANCE UNLESS OTHERWISE		单位 UNITS	MM	制图 DRAWING	尹先华	制图料号 PRODUCT PART NO.	913-261A1021D10100		
X.	±0.25	X.	±5°	比例 SCALE	1:1	审核 CHKD	郭志富	产品名称 PRODUCT NAME	AF10.6E款后两脚无边方弹铁壳 PBT黑胶6.2DIP
.X	±0.20	.X	±2°	日期 DATE	2014.03.24	核准 APPD	黄国荣	角法 VIEW	版本 VER
.XX	±0.15	.XX	±1°						AD
.XXX	±0.10	.XXX	±0.5°						