

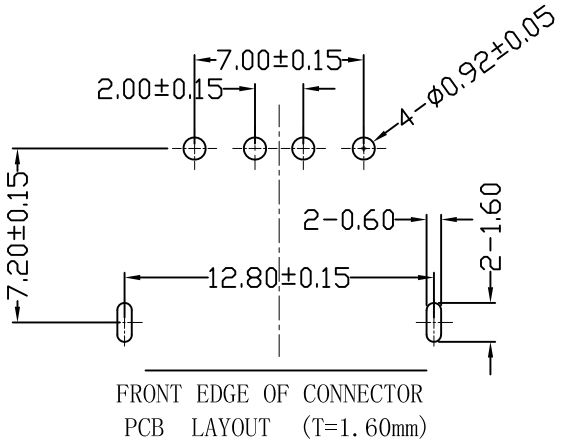
|      |              |      |
|------|--------------|------|
| MAPX | MODIFICATION | DATE |
|      |              |      |

NOTES:  
 1.HOUSING: SEE NOTES,  
 TERMINAL: SEE NOTES.  
 SHELL: SEE NOTES.

SPECIFICATION:  
 1.ELECTRICAL CHARACTERISTIC:  
 CONTACT RESISTANCE: 30MΩ MAX  
 DIELECTRIC WITHSTANDING VOLTAGE: 500V AC FOR 1MIN  
 INSULATION RESISTANCE: 1000MΩ MIN  
 2.MECHANICAL CHARACTERISTIC:  
 INSERTION FORCE: 35N(3.57KGF) MAX  
 EXTRACTION FORCE: 10~35N(1.02~3.57KGF)MIN  
 DURABILITY: 1500 CYCLES EXTRACTION FORCE:10~35N  
 5000 CYCLES EXTRACTION FORCE:3~35N

3.ENVIRONMENTAL:  
 OPERATING TEMPERATURE: -55℃+85℃

4.Contact finish:  
 01:Selective Gold Flash  
 02:Selective Gold 3U"  
 03:Selective Gold 5U"  
 04:Selective Gold 15U"  
 05:Selective Gold 30U"



|                                     |       |      |       |              |            |         |     |                  |                    |    |     |
|-------------------------------------|-------|------|-------|--------------|------------|---------|-----|------------------|--------------------|----|-----|
| 产品图<br>PRODUCT CHART DWG            |       |      |       | 深圳市精拓金电子有限公司 |            |         |     |                  |                    |    |     |
| 公差一览表<br>TOLERANCE UNLESS OTHERWISE |       |      |       | 单位           | MM         | 制图      | 尹先华 | 制图料号             | 913-161A1011D10100 |    |     |
| X.                                  | ±0.25 | X.   | ±5.°  | UNITS        | MM         | DRAWING | 尹先华 | PRODUCT PART NO. | 913-161A1011D10100 |    |     |
| .X                                  | ±0.20 | .X   | ±2.°  | 比例           | 1:1        | 审核      | 郭志富 | 产品名称             | AF10.6E款前两脚无边方弹壳   |    |     |
| .XX                                 | ±0.15 | .XX  | ±1.°  | SCALE        | 1:1        | CHKD    | 郭志富 | PRODUCT NO.      | PBT白胶6.2DIP        |    |     |
| .XXX                                | ±0.10 | .XXX | ±0.5° | 日期           | 2014.03.24 | 核淮      | 黄国荣 | 角法               | 版本                 | AD | VER |
|                                     |       |      |       | DATE         | 2014.03.24 | APPD    | 黄国荣 | VIEW             | 角法                 | 版本 | AD  |