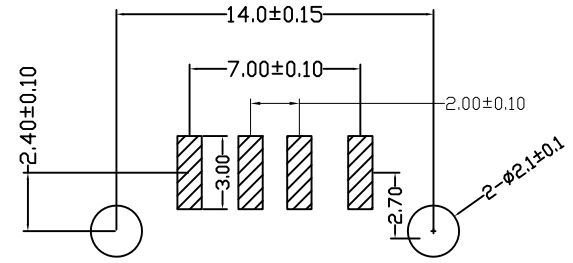
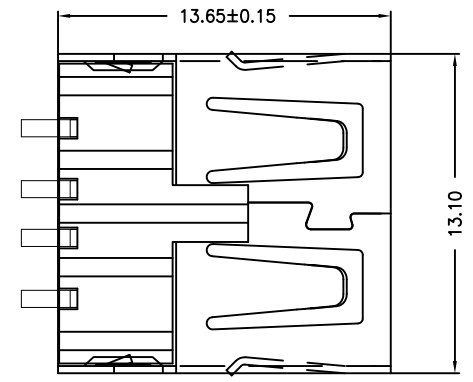
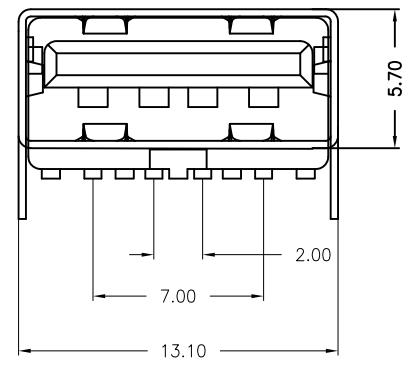
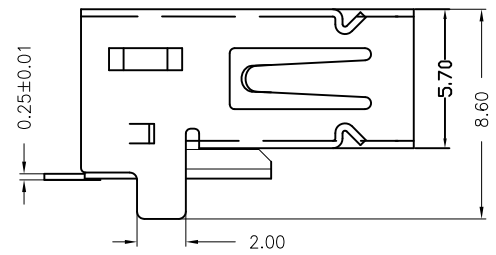


目錄 MAPX	設變內容 MODIFICATION	日期 DATE



PCB LAYOUT

NOTES:
Housing: Thermoplastics,UL94V-0
Contact: Copper Alloy
Shell: Copper Alloy/Steel
Voltage Current Rating:1.5 AMP. 30V AC
Insulation Resistance:1000MΩ Min.
Contact Resistance:30 MΩ Max.
Dielectric Withstanding Voltage:500W AC
Temperature Range:-35°C to +85°C
Insulator color: Black/White
Plastic material:PBT/LCP/Others
Shell finish:Nickel plated/Tin-Lead plated
Mechanical:
Mating Force: 3.5KG MAX
Unmating Force:0.7 KG MIN.
Contact finish:
01: Selective Gold Flash
02: Selective Gold 3U"
03: Selective Gold 5U"
04: Selective Gold 15U"
05: Selective Gold 30U"

备注：侧弹分为外弹与内弹

产品图 PRODUCT CHART DWG				深圳市精拓金电子有限公司						
公差一览表 TOLERANCE UNLESS OTHERWISE				单位 UNITS	MM	制图 DRAWING	尹先华	产品料号 PRODUCT PART NO.	903-341A2021S10200	
X.	±0.25	X'	±5'	比例 SCALE	1:1	审核 CHKD	郭志富	产品名称 PRODUCT NO.	AF无后盖短直脚8.6无边内弹	
.X	±0.20	.X'	±2'						铁壳T型LCP黑胶SMT	
.XX	±0.15	.XX'	±1'	日期 DATE	2013/11/02	核准 APPD	黄国荣	角法 VIEW	版本 VER	A0
.XXX	±0.10	.XXX'	±0.5'							