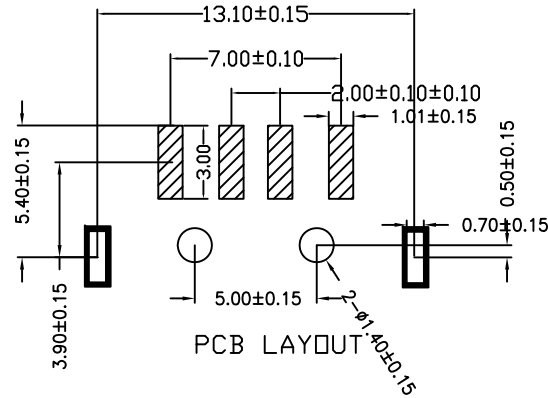
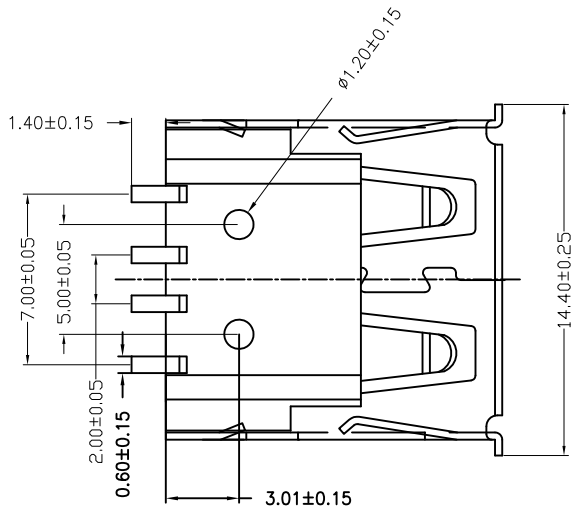
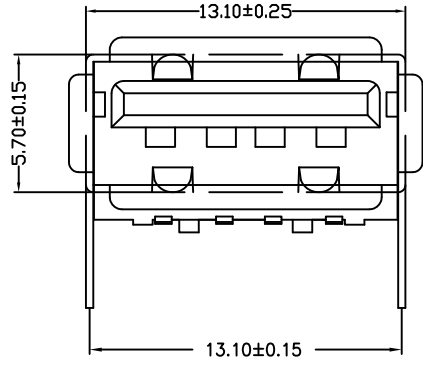
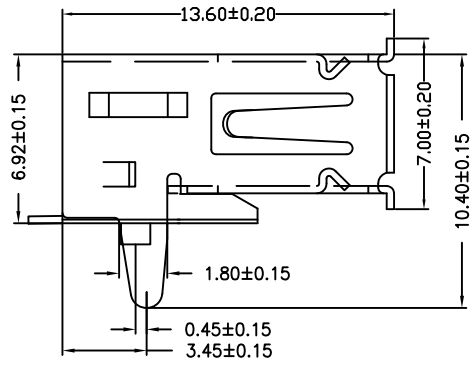


目錄 MAPX	設變內容 MODIFICATION	日期 DATE
△	側彈變更	2013. 3. 10



NOTES:  
Housing: Thermoplastics,UL94V-0  
Contact: Copper Alloy  
Shell: Copper Alloy/Steel  
Voltage Current Rating:1.5 AMP. 30V AC  
Insulation Resistance:1000MΩ Min.  
Contact Resistance:30 MΩ Max.  
Dielectric Withstanding Voltage:500W AC  
Temperature Range:-35°C to +85°C  
Insulator color: Black/White  
Plastic material:PBT/LCP/Others  
Shell finish:Nickel plated/Tin-Lead plated  
Mechanical:  
Mating Force:3.5KG MAX  
Unmating Force:0.7 KG MIN.  
Contact finish:  
01:Selective Gold Flash  
02:Selective Gold 3U”  
03:Selective Gold 5U”  
04:Selective Gold 15U”  
05:Selective Gold 30U”

备注：侧弹分为外弹与内弹

产品图 PRODUCT CHART DWG		深圳市精拓金电子有限公司									
公差一览表 TOLERANCE UNLESS OTHERWISE				单位 UNITS	MM	制图 DRAWING	尹先华	产品料号 PRODUCT PART NO.	903-232A2026S10200		
X.	±0.25	X’.	±5’	比例 SCALE	1:1	审核 CHKD	郭志富	产品名称 PRODUCT NO.	AF无后盖直脚有边内弹铜壳贴板 1.2柱LCP黑胶SMT		
.X	±0.20	.X’.	±2’								
.XX	±0.15	.XX’.	±1’	日期 DATE	2014. 10. 20	核准 APPD	黄国荣	角法 VIEW		版本 VER	A0
.XXX	±0.10	.XXX’.	±0.5’								