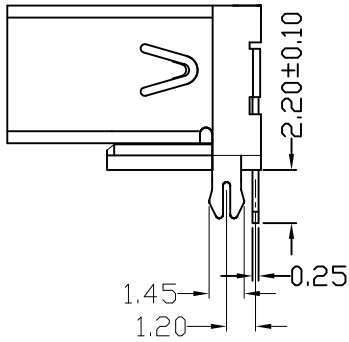
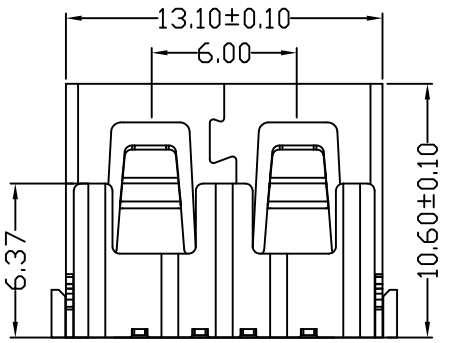
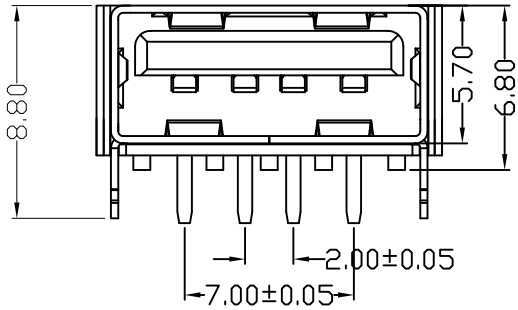
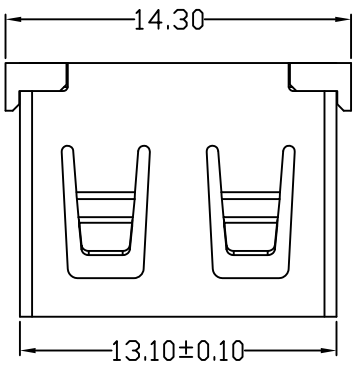


# D款, 正向10.6后两脚, DIP-\*6.80

MAPX	MODIFICATION	DATE



### NOTES:

- 1.HOUSING: SEE NOTES, UL94V-0 .
- TERMINAL: SEE NOTES.
- SHELL: SEE NOTES.

### SPECIFICATION:

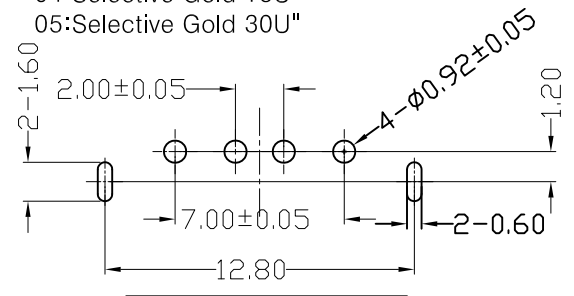
- 1.ELECTRICAL CHARACTERISTIC:
  - CONTACT RESISTANCE: 30MΩ MAX
  - DIELECTRIC WITHSTANDING VOLTAGE: 500V AC FOR 1MIN
  - INSULATION RESISTANCE: 1000MΩ MIN
- 2.MECHANICAL CHARACTERISTIC:
  - INSERTION FORCE: 35N(3.57KGF) MAX
  - EXTRACTION FORCE: 10~35N(1.02~3.57KGF)MIN
  - DURABILITY: 1500 CYCLES EXTRACTION FORCE:10~35N  
5000 CYCLES MIN
  - 5000 CYCLES EXTRACTION FORCE:3~35N

### 3.ENVIRONMENTAL:

OPERATING TEMPERATURE: -55°C+85°C

### 4.Contact finish:

- 01:Selective Gold Flash
- 02:Selective Gold 3U"
- 03:Selective Gold 5U"
- 04:Selective Gold 15U"
- 05:Selective Gold 30U"



FRONT EDGE OF CONNECTOR  
PCB LAYOUT (T=1.60mm)

<b>产品图</b> PRODUCT CHART DWG				<b>深圳市精拓金电子有限公司</b>						
公差一览表 TOLERANCE UNLESS OTHERWISE				单位	MM	制图	尹先华	制图料号	912-222A1013D10100	
X.	±0.15	X.	±5.°	UNITS		DRAWING		PRODUCT PART NO.		
.X	±0.10	.X	±2.°	比例	1:1	审核	郭志富	产品名称	AF10.6D款后两脚无边方弹铜壳PBT白胶6.8DIP	
.XX	±0.05	.XX	±1.°	日期	2012.09.24	核准	黄国荣	PRODUCT NO.		
.XXX	±0.03	.XXX	±0.5°	DATE		APPD		角法	版本	AD
								VIEW	VER	