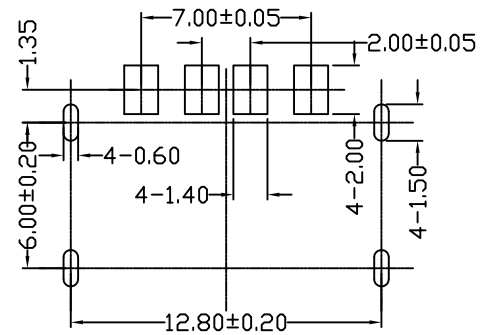
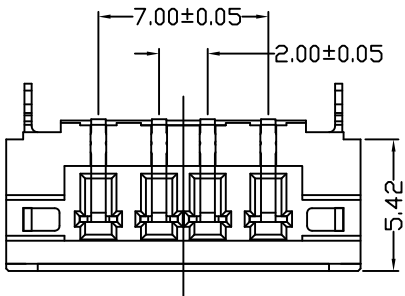
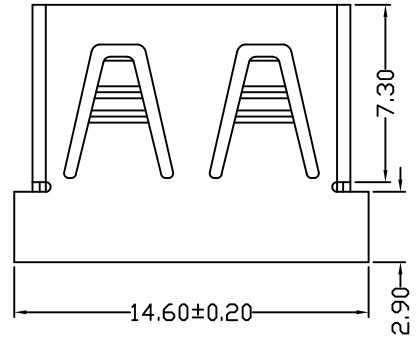
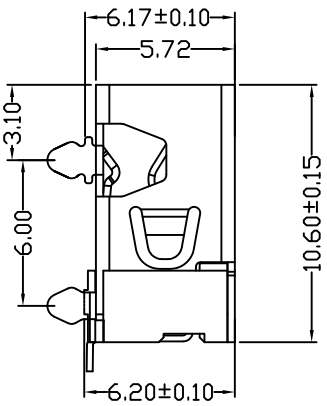
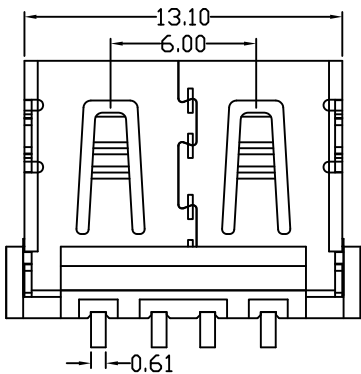
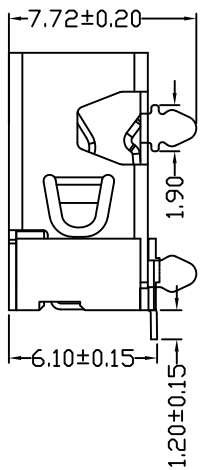
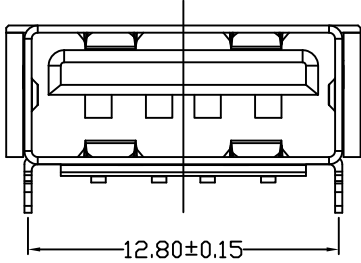


MAPX	MODIFICATION	DATE



**Specification:**

**1.Electrical Characteristics:**

Dielectric Withstanding Voltage: AC 500V/1MINUTE.  
 Insulation Resistance: 1000 MΩ/Min.  
 Contact Resistance: 30 mΩ Max.

**2.Mechanical Characteristics:**

INSERTION FORCE: 30N(3.06KgF) MAX  
 EXTRACTION FORCE: 10~30N(1.02~3.06KgF)  
 Durability:1500cycles.EXTRACTION FORCE:10~30N(1.02~3.06KgF)

**3. Material:**

Terminal: Phosphor Bronze, C5191/C2680R-EH T=0.25  
 Plating: Gold 0.76 um Min plating over 1.27 um Min Nickel underplate, 2.54 um Min Sn selective plating on solder tail;  
 Shell: Bronze, C2680R-H =0.30mm  
 Plating: Nickel underplate 2.54 um Min;  
 Housing: LCP Black

**4.Environmental:**

Operating Temperature: 0°C to +85°C.

产品图 PRODUCT CHART DWG		深圳市精拓金电子有限公司							
公差一览表 TOLERANCE UNLESS OTHERWISE		单位 UNITS	MM	制图 DRAWING	尹先华	制图料号 PRODUCT PART NO	914-492A2022S10200		
X.	±0.25	X.	±5°	比例 SCALE	1:1	审核 CHKD	郭治富	产品名称 PRODUCT NAME	AF10.6苹果款四脚大小弹铜壳LCP黑胶SMT
.X	±0.20	.X	±2°	日期 DATE	2011.09.02	核准 APPD	黄国荣	角法 VIEW	版本 VER
.XX	±0.15	.XX	±1°						AD
.XXX	±0.05	.XXX	±0.5°						