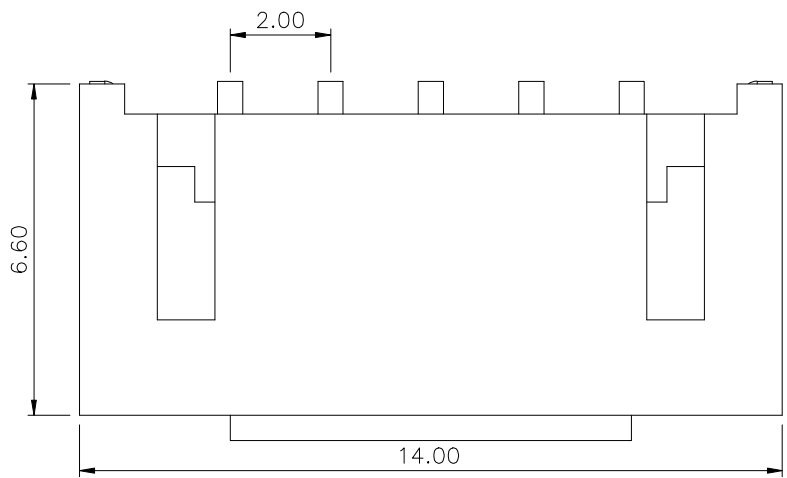
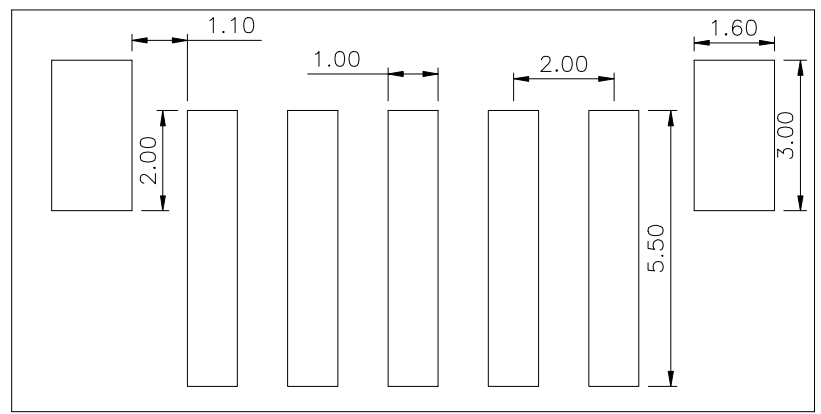
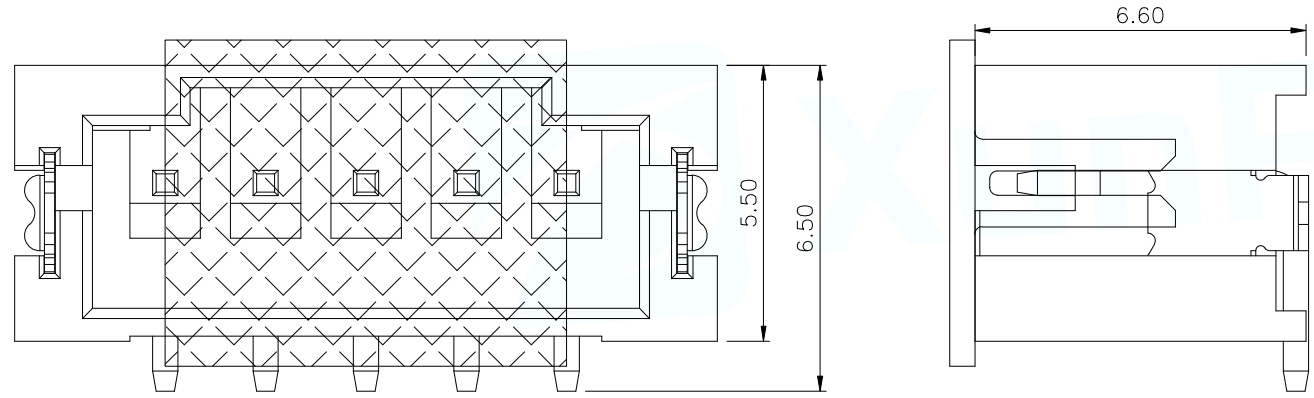


12	13	14	15
MAPX	MODIFICATION	DATE	DRAW APPROVE



NOTES:
 1.MATERIAL:
 HOUSING: HIGH TEMPERATURE THERMOPLASTIC UL94V_0
 CONTACT: COPPER ALLOYS.
 COVER: COPPER ALLOYS OR STEEL.
 2.PLATING:
 UNDERPLATE: NICKEL.

SPECIFICATIONS:
 Voltage Rating:125V AC DC
 Current Rating:1A AC,DC
 Withstanding voltage:500V AC 1/Minute
 Insulation Resistance:100MΩ Min
 Contact Resistance:20mΩ Max
 Temperatuer Range:-25℃ ~+ 85℃



RECOMMENDED P.C.B HOLE LAYOUT

MANUFACTURE DWG		 东莞市讯普电子科技有限公司 DongGuan XunPu Electronics Co.,Ltd	TITLE: WAFER 2.00 立脚5P	
UNLESS OTHERWISE SPECIFIED TOLERANCES			PAR	WAFER-200L-5P
DECIMALS:	ANGLES:	DWN		
X.X:±0.35	X.X':±3°	CHKD		
X.XX:±0.25	X.XX:±2'	APVD		
X.XXX:±0.15		SCALE1:1	UNIT:MM	
		CUSTOMER COPY	SIZE:A4	
			SHEET:1F1	
			REV:A	