

MXG series

105°C 3000 時間 標準品
Load Life : 105°C 3000 hours ,Standard



◆規格表 / SPECIFICATIONS

| 項目 Item | 特性 Characteristics | | | | | | | | | | | | | | | | | | | | | | | |
|--|---|------------|-------------------------------|---|------------------------------|--|-------------------------|---|-------------------|---------------|---------|-----|---------------|-------|-------------------|------|------|------|------|------|------|------|------|--|
| カテゴリ温度範囲 Category Temperature Range | -40~+105°C | -25~+105°C | | | | | | | | | | | | | | | | | | | | | | |
| 定格電圧範囲 Rated Voltage Range | 10~250Vdc | 315~500Vdc | | | | | | | | | | | | | | | | | | | | | | |
| 静電容量許容差 Capacitance Tolerance | ±20% (20°C, 120Hz) | | | | | | | | | | | | | | | | | | | | | | | |
| 漏れ電流 Leakage Current (MAX) | $I=3\sqrt{CV}$ (定格電圧印加5分後) $I=3\sqrt{CV}$ (After 5 minutes application of rated voltage) I=漏れ電流(μA) C=静電容量(μF) V=定格電圧(Vdc) Leakage Current Capacitance Rated Voltage | | | | | | | | | | | | | | | | | | | | | | | |
| 損失角の正接 (tan δ) Dissipation Factor (MAX) | <table border="1"> <thead> <tr> <th>定格電圧 (Vdc) Rated Voltage</th> <th>10</th> <th>16</th> <th>25</th> <th>35</th> <th>50</th> <th>63</th> <th>80~100</th> <th>160~450</th> <th>500</th> <th>(20°C, 120Hz)</th> </tr> </thead> <tbody> <tr> <td>tan δ</td> <td>0.55</td> <td>0.50</td> <td>0.45</td> <td>0.40</td> <td>0.35</td> <td>0.30</td> <td>0.25</td> <td>0.20</td> <td>0.25</td> <td></td> </tr> </tbody> </table> | | 定格電圧 (Vdc) Rated Voltage | 10 | 16 | 25 | 35 | 50 | 63 | 80~100 | 160~450 | 500 | (20°C, 120Hz) | tan δ | 0.55 | 0.50 | 0.45 | 0.40 | 0.35 | 0.30 | 0.25 | 0.20 | 0.25 | |
| 定格電圧 (Vdc) Rated Voltage | 10 | 16 | 25 | 35 | 50 | 63 | 80~100 | 160~450 | 500 | (20°C, 120Hz) | | | | | | | | | | | | | | |
| tan δ | 0.55 | 0.50 | 0.45 | 0.40 | 0.35 | 0.30 | 0.25 | 0.20 | 0.25 | | | | | | | | | | | | | | | |
| 耐久性 Endurance | 105°C中で3000時間定格電圧(リップル重畳)印加後、下記項目を満足すること。 After applying rated voltage with rated ripple current for 3000 hours at 105°C, the capacitors shall meet the following requirements. | | | | | | | | | | | | | | | | | | | | | | | |
| | <table border="1"> <tbody> <tr> <td>静電容量変化率 Capacitance Change</td> <td>初期値の ±20% 以内 Within ±20% of the initial value.</td> </tr> <tr> <td>損失角の正接 Dissipation Factor</td> <td>規格値の 200% 以下 Not more than 200% of the specified value.</td> </tr> <tr> <td>漏れ電流 Leakage Current</td> <td>規格値以下 Not more than the specified value.</td> </tr> </tbody> </table> | | 静電容量変化率 Capacitance Change | 初期値の ±20% 以内 Within ±20% of the initial value. | 損失角の正接 Dissipation Factor | 規格値の 200% 以下 Not more than 200% of the specified value. | 漏れ電流 Leakage Current | 規格値以下 Not more than the specified value. | | | | | | | | | | | | | | | | |
| 静電容量変化率 Capacitance Change | 初期値の ±20% 以内 Within ±20% of the initial value. | | | | | | | | | | | | | | | | | | | | | | | |
| 損失角の正接 Dissipation Factor | 規格値の 200% 以下 Not more than 200% of the specified value. | | | | | | | | | | | | | | | | | | | | | | | |
| 漏れ電流 Leakage Current | 規格値以下 Not more than the specified value. | | | | | | | | | | | | | | | | | | | | | | | |
| 低温特性 Low Temperature Stability (インピーダンス比) Impedance Ratio (MAX) | <table border="1"> <thead> <tr> <th>定格電圧 (Vdc) Rated Voltage</th> <th>10~100</th> <th>160~250</th> <th>315~450</th> <th>500</th> <th>(120Hz)</th> </tr> </thead> <tbody> <tr> <td>Z(-25°C)/Z(+20°C)</td> <td>3</td> <td>4</td> <td>8</td> <td>10</td> <td></td> </tr> <tr> <td>Z(-40°C)/Z(+20°C)</td> <td>12</td> <td>15</td> <td>—</td> <td>—</td> <td></td> </tr> </tbody> </table> | | 定格電圧 (Vdc) Rated Voltage | 10~100 | 160~250 | 315~450 | 500 | (120Hz) | Z(-25°C)/Z(+20°C) | 3 | 4 | 8 | 10 | | Z(-40°C)/Z(+20°C) | 12 | 15 | — | — | | | | | |
| 定格電圧 (Vdc) Rated Voltage | 10~100 | 160~250 | 315~450 | 500 | (120Hz) | | | | | | | | | | | | | | | | | | | |
| Z(-25°C)/Z(+20°C) | 3 | 4 | 8 | 10 | | | | | | | | | | | | | | | | | | | | |
| Z(-40°C)/Z(+20°C) | 12 | 15 | — | — | | | | | | | | | | | | | | | | | | | | |

◆呼称方法 / PART NUMBER

MXG M SN D x L
 定格電圧 シリーズ名 静電容量 静電容量許容差 副記号 端子記号 ケースサイズ
 Rated Voltage Series Capacitance Capacitance Tolerance Option Terminal Code Case Size

◆リップル電流補正係数 /

MULTIPLIER FOR RIPPLE CURRENT

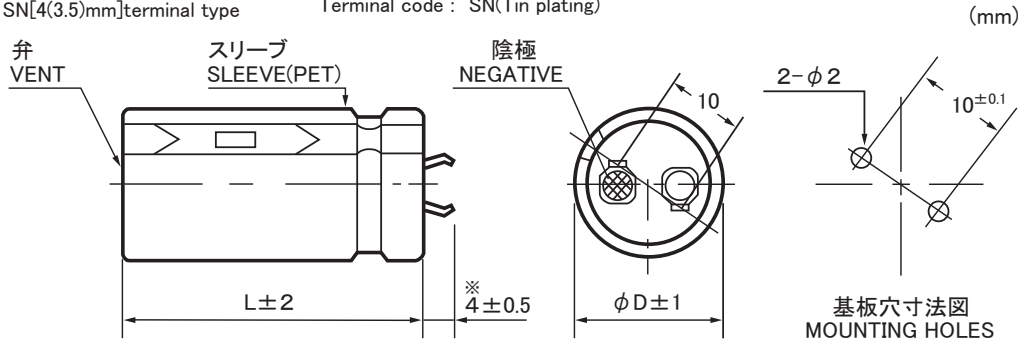
| 周波数 (Hz) Frequency | 60 (50) | 120 (100) | 300 | 500 | 1k | 10k ≤ |
|-----------------------|------------|--------------|------|------|------|-------|
| 10~100Vdc | 0.90 | 1.00 | 1.03 | 1.05 | 1.10 | 1.15 |
| 160~250Vdc | 0.80 | 1.00 | 1.15 | 1.20 | 1.30 | 1.50 |
| 315~500Vdc | 0.80 | 1.00 | 1.15 | 1.20 | 1.25 | 1.40 |

◆副記号 / OPTION

EFC : PET スリーブ、底板なし
PET Sleeve without plate

◆寸法図／DIMENSIONS

●SN[4(3.5)mm]端子タイプ 端子記号 : SN(錫メッキ)
SN[4(3.5)mm]terminal type Terminal code : SN(Tin plating)



◆標準品一覧表／STANDARD SIZE

| Cap. (μ F) | 10Vdc | | | | | 16Vdc | | | | | | | | | | | | |
|--------------------|-----------|-----------|-----------|-----------|-----------|-----------|-----------|-----------|-----------|-----------|-------|------|-------|------|-------|------|-------|------|
| | ϕ 20 | ϕ 22 | ϕ 25 | ϕ 30 | ϕ 35 | ϕ 20 | ϕ 22 | ϕ 25 | ϕ 30 | ϕ 35 | | | | | | | | |
| 6800 | 20×25 | 1.31 | | | | 20×25 | 1.80 | | | | | | | | | | | |
| 8200 | 20×30 | 1.59 | | | | 20×30 | 2.08 | 22×25 | 2.08 | | | | | | | | | |
| 10000 | 20×30 | 1.88 | 22×25 | 1.77 | | 20×35 | 2.15 | 22×30 | 2.15 | | | | | | | | | |
| 12000 | 20×35 | 2.18 | 22×30 | 2.10 | 25×25 | 1.94 | 20×40 | 2.31 | 22×30 | 2.31 | | | | | | | | |
| 15000 | 20×40 | 2.27 | 22×35 | 2.23 | 25×30 | 2.10 | | 22×35 | 2.68 | 25×30 | 2.68 | | | | | | | |
| 18000 | | | 22×40 | 2.41 | 25×30 | 2.34 | 30×25 | 2.25 | 22×40 | 3.20 | 25×30 | 3.20 | 30×25 | 3.20 | | | | |
| 22000 | | | 22×45 | 2.58 | 25×35 | 2.54 | 30×30 | 2.50 | 22×45 | 3.36 | 25×35 | 3.36 | 30×30 | 3.36 | | | | |
| 27000 | | | 22×50 | 3.17 | 25×40 | 3.07 | 30×30 | 2.95 | 22×50 | 3.85 | 25×40 | 3.85 | 30×30 | 3.85 | | | | |
| 33000 | | | | | 25×45 | 3.39 | 30×35 | 3.33 | 35×30 | 3.21 | | | 25×45 | 4.30 | 30×35 | 4.30 | 35×30 | 4.30 |
| 39000 | | | | | | | 30×40 | 3.70 | 35×35 | 3.68 | | | 25×50 | 4.81 | 30×40 | 4.81 | 35×35 | 4.81 |
| 47000 | | | | | | | 30×45 | 4.22 | 35×40 | 4.16 | | | | | 30×45 | 5.53 | 35×40 | 5.53 |
| 56000 | | | | | | | | | | | | | | | 30×50 | 6.00 | 35×45 | 6.00 |
| 68000 | | | | | | | | | | | | | | | | | 35×50 | 6.40 |

| Cap. (μ F) | 25Vdc | | | | | 35Vdc | | | | | | | | | |
|--------------------|-----------|-----------|-----------|-----------|-----------|-----------|-----------|-----------|-----------|-----------|------|-------|------|-------|------|
| | ϕ 20 | ϕ 22 | ϕ 25 | ϕ 30 | ϕ 35 | ϕ 20 | ϕ 22 | ϕ 25 | ϕ 30 | ϕ 35 | | | | | |
| 2700 | | | | | | 20×25 | 1.29 | | | | | | | | |
| 3300 | | | | | | 20×30 | 1.57 | | | | | | | | |
| 3900 | | | | | | 20×30 | 1.78 | 22×25 | 1.78 | | | | | | |
| 4700 | 20×25 | 1.65 | | | | 20×35 | 2.02 | 22×30 | 2.02 | | | | | | |
| 5600 | 20×30 | 1.85 | 22×25 | 1.85 | | 20×40 | 2.13 | 22×35 | 2.13 | 25×25 | 2.13 | | | | |
| 6800 | 20×35 | 2.11 | 22×30 | 2.11 | | | 22×40 | 2.41 | 25×30 | 2.41 | | | | | |
| 8200 | 20×40 | 2.34 | 22×30 | 2.34 | 25×25 | 2.34 | | 22×45 | 2.85 | 25×35 | 2.85 | 30×25 | 2.85 | | |
| 10000 | | | 22×35 | 2.65 | 25×30 | 2.65 | | 22×50 | 3.05 | 25×40 | 3.05 | 30×30 | 3.05 | | |
| 12000 | | | 22×40 | 2.81 | 25×30 | 2.81 | 30×25 | 2.81 | | 25×45 | 3.37 | 30×35 | 3.37 | 35×30 | 3.37 |
| 15000 | | | 22×45 | 3.13 | 25×35 | 3.13 | 30×30 | 3.13 | | 25×50 | 3.72 | 30×40 | 3.72 | 35×35 | 3.72 |
| 18000 | | | | | 25×40 | 3.56 | 30×30 | 3.56 | | | | 30×45 | 4.37 | 35×35 | 4.37 |
| 22000 | | | | | 25×50 | 4.04 | 30×35 | 4.04 | 35×30 | 4.04 | | 30×50 | 4.92 | 35×40 | 4.92 |
| 27000 | | | | | | | 30×40 | 4.74 | 35×35 | 4.74 | | | | 35×50 | 5.30 |
| 33000 | | | | | | | 30×50 | 5.50 | 35×40 | 5.50 | | | | | |
| 39000 | | | | | | | | | 35×45 | 5.80 | | | | | |
| 47000 | | | | | | | | | 35×50 | 6.30 | | | | | |

| Cap. (μ F) | 50Vdc | | | | | 63Vdc | | | | | | | | | | | |
|--------------------|-----------|-----------|-----------|-----------|-----------|-----------|-----------|-----------|-----------|-----------|------|-------|------|-------|-------|-------|------|
| | ϕ 20 | ϕ 22 | ϕ 25 | ϕ 30 | ϕ 35 | ϕ 20 | ϕ 22 | ϕ 25 | ϕ 30 | ϕ 35 | | | | | | | |
| 1500 | | | | | | 20×25 | 1.47 | | | | | | | | | | |
| 1800 | | | | | | 20×30 | 1.58 | | | | | | | | | | |
| 2200 | 20×25 | 1.60 | | | | 20×35 | 1.82 | | | | | | | | | | |
| 2700 | 20×30 | 1.73 | 22×25 | 1.73 | | | 22×30 | 2.11 | 25×25 | 2.11 | | | | | | | |
| 3300 | 20×35 | 1.97 | 22×30 | 1.97 | | | 22×35 | 2.33 | 25×30 | 2.33 | | | | | | | |
| 3900 | 20×40 | 2.22 | 22×35 | 2.22 | 25×25 | 2.22 | | 22×40 | 2.55 | 25×30 | 2.55 | 30×25 | 2.55 | | | | |
| 4700 | 20×45 | 2.43 | 22×40 | 2.43 | 25×30 | 2.43 | | 22×45 | 2.97 | 25×35 | 2.97 | 30×30 | 2.97 | | | | |
| 5600 | | | 22×45 | 2.75 | 25×35 | 2.75 | 30×25 | 2.75 | | 25×40 | 3.22 | 30×30 | 3.22 | 35×25 | 3.22 | | |
| 6800 | | | 22×50 | 3.30 | 25×40 | 3.30 | 30×30 | 3.30 | 35×25 | 3.30 | | 25×45 | 3.65 | 30×35 | 3.65 | 35×30 | 3.65 |
| 8200 | | | | | 25×45 | 3.60 | 30×35 | 3.60 | 35×30 | 3.60 | | | | 30×40 | 4.04 | 35×35 | 4.04 |
| 10000 | | | | | 25×50 | 4.05 | 30×40 | 4.05 | 35×30 | 4.05 | | | | 30×45 | 4.48 | 35×40 | 4.48 |
| 12000 | | | | | | | 30×45 | 4.56 | 35×35 | 4.56 | | | | | 35×45 | 4.75 | |
| 15000 | | | | | | | 30×50 | 4.77 | 35×40 | 4.77 | | | | | 35×50 | 5.25 | |

ケースサイズ Case Size ϕ D × L (mm) ↑
リップル電流 Ripple Current (A.r.m.s./120Hz, 105°C) ↑

◆標準品一覧表 / STANDARD SIZE

| Cap. (μ F) | 80Vdc | | | | | 100Vdc | | | | | | | | | | | |
|--------------------|-----------|-----------|-----------|-----------|-----------|-----------|-----------|-----------|-----------|-----------|-------|-------|-------|-------|------|-------|------|
| | ϕ 20 | ϕ 22 | ϕ 25 | ϕ 30 | ϕ 35 | ϕ 20 | ϕ 22 | ϕ 25 | ϕ 30 | ϕ 35 | | | | | | | |
| 680 | | | | | | 20×25 | 1.15 | | | | | | | | | | |
| 820 | | | | | | 20×30 | 1.32 | 22×25 | 1.32 | | | | | | | | |
| 1000 | 20×25 | 1.24 | | | | 20×30 | 1.47 | 22×30 | 1.47 | | | | | | | | |
| 1200 | 20×30 | 1.44 | 22×25 | 1.44 | | 20×35 | 1.69 | 22×30 | 1.69 | 25×25 | 1.69 | | | | | | |
| 1500 | 20×30 | 1.59 | 22×30 | 1.59 | | | 22×35 | 1.98 | 25×30 | 1.98 | | | | | | | |
| 1800 | 20×35 | 1.79 | 22×30 | 1.79 | 25×25 | 1.79 | | 22×40 | 2.23 | 25×35 | 2.23 | 30×25 | 2.23 | | | | |
| 2200 | 20×40 | 2.03 | 22×35 | 2.03 | 25×30 | 2.03 | | | 25×40 | 2.55 | 30×30 | 2.55 | 35×25 | 2.55 | | | |
| 2700 | | | 22×40 | 2.39 | 25×35 | 2.39 | 30×25 | 2.39 | | 25×45 | 2.89 | 30×35 | 2.89 | 35×30 | 2.89 | | |
| 3300 | | | 22×50 | 2.64 | 25×40 | 2.64 | 30×30 | 2.64 | 35×25 | 2.64 | | 25×50 | 3.30 | 30×40 | 3.30 | 35×35 | 3.30 |
| 3900 | | | | | 25×45 | 2.97 | 30×30 | 2.97 | 35×30 | 2.97 | | | | 30×45 | 3.67 | 35×35 | 3.67 |
| 4700 | | | | | 25×50 | 3.38 | 30×35 | 3.38 | 35×30 | 3.38 | | | | 30×50 | 3.80 | 35×40 | 3.80 |
| 5600 | | | | | | | 30×40 | 3.80 | 35×35 | 3.80 | | | | | | 35×45 | 4.05 |
| 6800 | | | | | | | | 30×50 | 4.10 | 35×40 | 4.10 | | | | | | |
| 8200 | | | | | | | | | 35×45 | 4.30 | | | | | | | |

| Cap. (μ F) | 160Vdc | | | | | 180Vdc | | | | | | | | | | | | | |
|--------------------|-----------|-----------|-----------|-----------|-----------|-----------|-----------|-----------|-----------|-----------|-------|-------|-------|-------|-------|-------|-------|-------|------|
| | ϕ 20 | ϕ 22 | ϕ 25 | ϕ 30 | ϕ 35 | ϕ 20 | ϕ 22 | ϕ 25 | ϕ 30 | ϕ 35 | | | | | | | | | |
| 330 | 20×25 | 1.32 | | | | 20×25 | 1.32 | | | | | | | | | | | | |
| 390 | 20×25 | 1.39 | | | | 20×30 | 1.53 | 22×25 | 1.43 | | | | | | | | | | |
| 470 | 20×30 | 1.62 | 22×25 | 1.51 | | 20×35 | 1.75 | 22×30 | 1.67 | | | | | | | | | | |
| 560 | 20×35 | 1.85 | 22×30 | 1.75 | | 20×40 | 1.98 | 22×30 | 1.75 | 25×25 | 1.59 | | | | | | | | |
| 680 | 20×40 | 2.09 | 22×30 | 1.83 | 25×25 | 1.70 | | 20×45 | 2.22 | 22×35 | 2.01 | 25×30 | 1.86 | | | | | | |
| 820 | 20×50 | 2.47 | 22×35 | 2.10 | 25×30 | 2.00 | | | 22×40 | 2.27 | 25×35 | 2.14 | 30×25 | 2.00 | | | | | |
| 1000 | | | 22×40 | 2.37 | 25×35 | 2.20 | 30×25 | 2.20 | | 22×50 | 2.68 | 25×40 | 2.40 | 30×30 | 2.20 | 35×25 | 2.20 | | |
| 1200 | | | 22×55 | 2.98 | 25×40 | 2.50 | 30×30 | 2.30 | 35×25 | 2.30 | | 22×60 | 3.09 | 25×45 | 2.67 | 30×35 | 2.30 | 35×30 | 2.30 |
| 1500 | | | | | 25×45 | 2.80 | 30×35 | 2.50 | 35×30 | 2.50 | | | 25×50 | 2.99 | 30×40 | 2.54 | 35×30 | 2.50 | |
| 1800 | | | | | 25×60 | 3.43 | 30×40 | 2.70 | 35×35 | 2.70 | | | | | 30×45 | 2.79 | 35×35 | 2.70 | |
| 2200 | | | | | | | 30×45 | 2.90 | 35×40 | 2.90 | | | | | 30×50 | 3.12 | 35×40 | 2.90 | |
| 2700 | | | | | | | 30×60 | 3.58 | 35×45 | 3.10 | | | | | | 35×50 | 3.10 | 35×50 | 3.10 |
| 3300 | | | | | | | | | 35×55 | 3.24 | | | | | | 35×60 | 3.44 | 35×60 | 3.44 |

| Cap. (μ F) | 200Vdc | | | | | 220Vdc | | | | | | | | | | | |
|--------------------|-----------|-----------|-----------|-----------|-----------|-----------|-----------|-----------|-----------|-----------|-------|-------|-------|-------|-------|-------|------|
| | ϕ 20 | ϕ 22 | ϕ 25 | ϕ 30 | ϕ 35 | ϕ 20 | ϕ 22 | ϕ 25 | ϕ 30 | ϕ 35 | | | | | | | |
| 220 | | | | | | 20×25 | 1.17 | | | | | | | | | | |
| 270 | 20×25 | 1.25 | | | | 20×30 | 1.36 | 22×25 | 1.29 | | | | | | | | |
| 330 | 20×30 | 1.46 | 22×25 | 1.37 | | 20×30 | 1.46 | 22×25 | 1.37 | | | | | | | | |
| 390 | 20×30 | 1.54 | 22×25 | 1.44 | | 20×35 | 1.66 | 22×30 | 1.58 | 25×25 | 1.46 | | | | | | |
| 470 | 20×35 | 1.76 | 22×30 | 1.67 | 25×25 | 1.53 | | 20×40 | 1.87 | 22×35 | 1.81 | 25×25 | 1.53 | | | | |
| 560 | 20×40 | 1.98 | 22×35 | 1.90 | 25×25 | 1.60 | | 20×45 | 2.09 | 22×40 | 2.04 | 25×30 | 1.79 | 30×25 | 1.61 | | |
| 680 | 20×50 | 2.34 | 22×40 | 2.15 | 25×30 | 1.85 | 30×25 | 1.75 | | 22×45 | 2.29 | 25×35 | 2.05 | 30×25 | 1.78 | | |
| 820 | | | 22×45 | 2.41 | 25×35 | 2.12 | 30×25 | 2.04 | | 22×50 | 2.54 | 25×40 | 2.31 | 30×30 | 1.93 | 35×25 | 1.93 |
| 1000 | | | 22×55 | 2.84 | 25×45 | 2.58 | 30×30 | 2.30 | | | 25×50 | 2.72 | 30×35 | 2.33 | 35×30 | 2.33 | |
| 1200 | | | | | 25×50 | 2.84 | 30×35 | 2.65 | 35×30 | 2.65 | | 25×55 | 2.96 | 30×40 | 2.50 | 35×35 | 2.50 |
| 1500 | | | | | 25×60 | 3.28 | 30×45 | 2.80 | 35×35 | 2.80 | | | | 30×50 | 2.92 | 35×40 | 2.76 |
| 1800 | | | | | | | 30×50 | 3.08 | 35×40 | 3.08 | | | | 30×60 | 3.38 | 35×45 | 3.11 |
| 2200 | | | | | | | 30×60 | 3.45 | 35×45 | 3.48 | | | | | 35×55 | 3.67 | |
| 2700 | | | | | | | | | 35×55 | 4.05 | | | | | | | |

| Cap. (μ F) | 250Vdc | | | | | 315Vdc | | | | | | | | | | | |
|--------------------|-----------|-----------|-----------|-----------|-----------|-----------|-----------|-----------|-----------|-----------|------|-------|------|-------|------|-------|------|
| | ϕ 20 | ϕ 22 | ϕ 25 | ϕ 30 | ϕ 35 | ϕ 20 | ϕ 22 | ϕ 25 | ϕ 30 | ϕ 35 | | | | | | | |
| 120 | | | | | | 20×25 | 0.86 | | | | | | | | | | |
| 150 | | | | | | 20×30 | 1.00 | 22×25 | 0.98 | | | | | | | | |
| 180 | | | | | | 20×35 | 1.14 | 22×30 | 1.13 | | | | | | | | |
| 220 | 20×25 | 1.17 | | | | 20×40 | 1.30 | 22×30 | 1.22 | 25×25 | 1.17 | | | | | | |
| 270 | 20×30 | 1.36 | 22×25 | 1.30 | | 20×45 | 1.48 | 22×35 | 1.40 | 25×30 | 1.37 | | | | | | |
| 330 | 20×35 | 1.57 | 22×30 | 1.51 | 25×25 | 1.41 | | 20×50 | 1.67 | 22×40 | 1.59 | 25×35 | 1.56 | 30×25 | 1.38 | | |
| 390 | 20×40 | 1.76 | 22×35 | 1.71 | 25×25 | 1.47 | | | | 22×50 | 1.84 | 25×35 | 1.65 | 30×30 | 1.60 | 35×25 | 1.44 |
| 470 | 20×45 | 1.98 | 22×40 | 1.94 | 25×30 | 1.71 | 30×25 | 1.57 | | 22×55 | 2.05 | 25×45 | 1.96 | 30×35 | 1.83 | 35×30 | 1.71 |
| 560 | | | 22×45 | 2.16 | 25×35 | 1.95 | 30×25 | 1.60 | | | | 25×50 | 2.17 | 30×35 | 1.89 | 35×30 | 1.72 |
| 680 | | | 22×50 | 2.40 | 25×40 | 2.20 | 30×30 | 1.87 | 35×25 | 1.70 | | 25×55 | 2.41 | 30×40 | 2.12 | 35×35 | 1.98 |
| 820 | | | 22×60 | 2.77 | 25×45 | 2.45 | 30×35 | 2.14 | 35×30 | 2.00 | | | | 30×50 | 2.51 | 35×40 | 2.22 |
| 1000 | | | | | 25×55 | 2.87 | 30×40 | 2.40 | 35×35 | 2.20 | | | | 30×55 | 2.75 | 35×45 | 2.45 |
| 1200 | | | | | | | 30×45 | 2.65 | 35×35 | 2.30 | | | | | | 35×50 | 2.67 |
| 1500 | | | | | | | 30×55 | 3.12 | 35×45 | 2.67 | | | | | | 35×60 | 3.08 |
| 1800 | | | | | | | | | 35×50 | 2.89 | | | | | | | |
| 2200 | | | | | | | | | 35×60 | 3.32 | | | | | | | |

ケースサイズ Case Size ϕ D × L (mm) \rightarrow
リップル電流 Ripple Current (A.r.m.s./120Hz, 105°C) \rightarrow

◆標準品一覧表 / STANDARD SIZE

| Cap. (μ F) | 350Vdc | | | | | | | | | | 385Vdc | | | | | | | | | |
|--------------------|-----------|-----------|-----------|-----------|-----------|-----------|-----------|-----------|-----------|-----------|-----------|-----------|-----------|-----------|-----------|-------|-------|-------|------|--|
| | ϕ 20 | ϕ 22 | ϕ 25 | ϕ 30 | ϕ 35 | ϕ 20 | ϕ 22 | ϕ 25 | ϕ 30 | ϕ 35 | ϕ 20 | ϕ 22 | ϕ 25 | ϕ 30 | ϕ 35 | | | | | |
| 100 | 20×25 | 0.81 | | | | | | | | | 20×25 | 0.81 | | | | | | | | |
| 120 | 20×30 | 0.93 | 22×25 | 0.91 | | | | | | | 20×30 | 0.94 | 22×25 | 0.91 | | | | | | |
| 150 | 20×35 | 1.08 | 22×30 | 1.06 | | | | | | | 20×35 | 1.08 | 22×30 | 1.07 | | | | | | |
| 180 | 20×40 | 1.22 | 22×30 | 1.14 | 25×25 | 1.10 | | | | | 20×40 | 1.22 | 22×35 | 1.21 | 25×25 | 1.11 | | | | |
| 220 | 20×45 | 1.38 | 22×35 | 1.31 | 25×30 | 1.28 | | | | | 20×45 | 1.39 | 22×40 | 1.38 | 25×30 | 1.29 | 30×25 | 1.25 | | |
| 270 | 20×50 | 1.56 | 22×45 | 1.55 | 25×35 | 1.47 | 30×25 | 1.31 | | | | 22×45 | 1.56 | 25×35 | 1.47 | 30×30 | 1.46 | | | |
| 330 | | | 22×50 | 1.75 | 25×40 | 1.67 | 30×30 | 1.53 | 35×25 | 1.39 | | 22×55 | 1.81 | 25×40 | 1.67 | 30×30 | 1.53 | 35×25 | 1.37 | |
| 390 | | | 22×55 | 1.93 | 25×45 | 1.86 | 30×35 | 1.74 | 35×30 | 1.63 | | 22×60 | 2.00 | 25×50 | 1.94 | 30×35 | 1.73 | 35×30 | 1.62 | |
| 470 | | | | | 25×50 | 2.06 | 30×40 | 1.96 | 35×30 | 1.66 | | | 25×55 | 2.15 | 30×40 | 1.94 | 35×35 | 1.84 | | |
| 560 | | | | | 25×55 | 2.27 | 30×45 | 2.17 | 35×35 | 1.90 | | | | | 30×45 | 2.15 | 35×40 | 2.07 | | |
| 680 | | | | | | | 30×50 | 2.40 | 35×40 | 2.13 | | | | | 30×55 | 2.51 | 35×45 | 2.29 | | |
| 820 | | | | | | | 30×55 | 2.62 | 35×45 | 2.36 | | | | | | | 35×50 | 2.50 | | |
| 1000 | | | | | | | | | 35×55 | 2.77 | | | | | | | 35×60 | 2.89 | | |
| 1200 | | | | | | | | | 35×60 | 2.97 | | | | | | | | | | |

| Cap. (μ F) | 400Vdc | | | | | | 420Vdc | | | | | | | | | | | | | |
|--------------------|-----------|-----------|-----------|-----------|-----------|-----------|-----------|-----------|-----------|-----------|-----------|-----------|-----------|-----------|-----------|-------|-------|-------|------|--|
| | ϕ 20 | ϕ 22 | ϕ 25 | ϕ 30 | ϕ 35 | ϕ 20 | ϕ 22 | ϕ 25 | ϕ 30 | ϕ 35 | ϕ 20 | ϕ 22 | ϕ 25 | ϕ 30 | ϕ 35 | | | | | |
| 68 | 20×25 | 0.69 | | | | | | | | | 20×25 | 0.69 | | | | | | | | |
| 82 | 20×25 | 0.75 | 22×25 | 0.78 | | | | | | | 20×25 | 0.75 | 22×25 | 0.78 | | | | | | |
| 100 | 20×30 | 0.87 | 22×25 | 0.85 | | | | | | | 20×30 | 0.86 | 22×25 | 0.85 | 25×25 | 0.88 | | | | |
| 120 | 20×35 | 0.99 | 22×30 | 0.97 | 25×25 | 0.96 | | | | | 20×35 | 0.98 | 22×30 | 0.97 | 25×25 | 0.95 | | | | |
| 150 | 20×40 | 1.13 | 22×35 | 1.13 | 25×25 | 1.04 | | | | | 20×40 | 1.13 | 22×35 | 1.12 | 25×30 | 1.11 | 30×25 | 1.10 | | |
| 180 | 20×40 | 1.23 | 22×35 | 1.22 | 25×30 | 1.20 | 30×25 | 1.18 | | | 20×45 | 1.27 | 22×40 | 1.27 | 25×30 | 1.19 | 30×25 | 1.16 | | |
| 220 | 20×50 | 1.44 | 22×45 | 1.44 | 25×35 | 1.37 | 30×25 | 1.25 | | | | 22×45 | 1.43 | 25×35 | 1.36 | 30×30 | 1.35 | 35×25 | 1.27 | |
| 270 | | | 22×50 | 1.62 | 25×40 | 1.56 | 30×30 | 1.45 | 35×25 | 1.34 | | 22×50 | 1.62 | 25×40 | 1.55 | 30×30 | 1.43 | 35×25 | 1.30 | |
| 330 | | | 22×55 | 1.82 | 25×45 | 1.76 | 30×35 | 1.66 | 35×30 | 1.57 | | 22×60 | 1.86 | 25×50 | 1.74 | 30×35 | 1.64 | 35×30 | 1.54 | |
| 390 | | | | | 25×50 | 1.94 | 30×40 | 1.86 | 35×30 | 1.60 | | | 25×55 | 2.00 | 30×40 | 1.83 | 35×35 | 1.75 | | |
| 470 | | | | | 25×55 | 2.15 | 30×45 | 2.07 | 35×35 | 1.83 | | | 25×60 | 2.21 | 30×45 | 2.04 | 35×40 | 1.97 | | |
| 560 | | | | | | | 30×50 | 2.28 | 35×40 | 2.05 | | | | | 30×55 | 2.35 | 35×45 | 2.18 | | |
| 680 | | | | | | | 30×55 | 2.50 | 35×45 | 2.27 | | | | | 30×60 | 2.57 | 35×50 | 2.39 | | |
| 820 | | | | | | | | | 35×55 | 2.65 | | | | | | | 35×55 | 2.59 | | |

| Cap. (μ F) | 450Vdc | | | | | | 500Vdc | | | | | | | | | | | | | |
|--------------------|-----------|-----------|-----------|-----------|-----------|-----------|-----------|-----------|-----------|-----------|-----------|-----------|-----------|-----------|-----------|-------|-------|-------|------|--|
| | ϕ 20 | ϕ 22 | ϕ 25 | ϕ 30 | ϕ 35 | ϕ 20 | ϕ 22 | ϕ 25 | ϕ 30 | ϕ 35 | ϕ 20 | ϕ 22 | ϕ 25 | ϕ 30 | ϕ 35 | | | | | |
| 39 | | | | | | | | | | | 20×25 | 0.51 | | | | | | | | |
| 47 | | | | | | | | | | | 20×30 | 0.59 | 22×25 | 0.58 | | | | | | |
| 56 | 20×25 | 0.63 | | | | | | | | | 20×35 | 0.67 | 22×30 | 0.66 | | | | | | |
| 68 | 20×25 | 0.69 | 22×25 | 0.72 | | | | | | | 20×40 | 0.76 | 22×30 | 0.73 | 25×25 | 0.72 | | | | |
| 82 | 20×30 | 0.80 | 22×25 | 0.78 | | | | | | | 20×45 | 0.85 | 22×35 | 0.83 | 25×30 | 0.83 | 30×25 | 0.83 | | |
| 100 | 20×35 | 0.91 | 22×30 | 0.90 | 25×25 | 0.89 | | | | | | 22×40 | 0.94 | 25×35 | 0.94 | 30×25 | 0.91 | | | |
| 120 | 20×35 | 0.99 | 22×30 | 0.98 | 25×25 | 0.95 | | | | | | 22×50 | 1.08 | 25×35 | 1.02 | 30×30 | 1.04 | 35×25 | 1.01 | |
| 150 | 20×45 | 1.18 | 22×35 | 1.13 | 25×30 | 1.11 | 30×25 | 1.10 | | | | 22×55 | 1.24 | 25×45 | 1.21 | 30×35 | 1.19 | 35×30 | 1.18 | |
| 180 | | | 22×40 | 1.27 | 25×35 | 1.27 | 30×25 | 1.16 | | | | 22×60 | 1.38 | 25×50 | 1.36 | 30×40 | 1.34 | 35×30 | 1.25 | |
| 220 | | | 22×50 | 1.49 | 25×40 | 1.44 | 30×30 | 1.35 | 35×25 | 1.26 | | | | 25×55 | 1.52 | 30×45 | 1.51 | 35×40 | 1.51 | |
| 270 | | | 22×55 | 1.68 | 25×45 | 1.62 | 30×35 | 1.55 | 35×30 | 1.48 | | | | | | 30×50 | 1.69 | 35×40 | 1.62 | |
| 330 | | | | | 25×50 | 1.82 | 30×40 | 1.75 | 35×30 | 1.52 | | | | | | 30×55 | 1.89 | 35×45 | 1.81 | |
| 390 | | | | | 25×60 | 2.07 | 30×45 | 1.93 | 35×35 | 1.74 | | | | | | | 35×55 | 2.08 | | |
| 470 | | | | | | | 30×50 | 2.14 | 35×40 | 1.95 | | | | | | | 35×60 | 2.28 | | |
| 560 | | | | | | | 30×55 | 2.34 | 35×45 | 2.16 | | | | | | | | | | |
| 680 | | | | | | | | | 35×55 | 2.51 | | | | | | | | | | |
| 820 | | | | | | | | | 35×60 | 2.71 | | | | | | | | | | |

ケースサイズ Case Size ϕ D×L(mm) \rightarrow
 リプル電流 Ripple Current (A.r.m.s./120Hz,105°C) \rightarrow