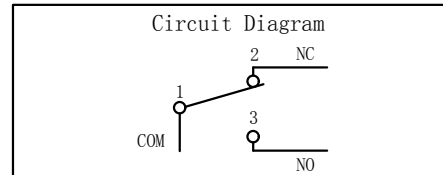
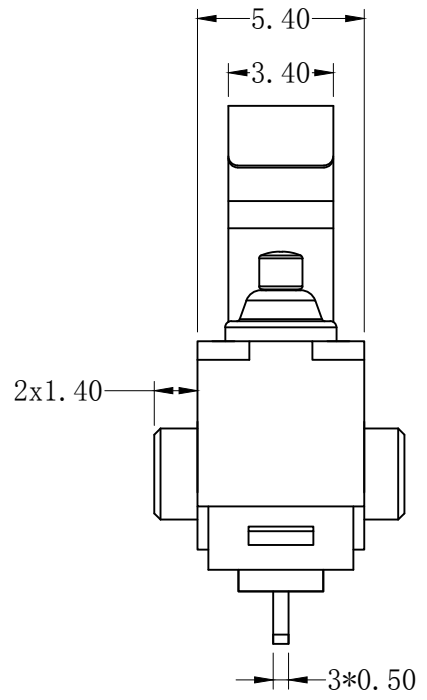
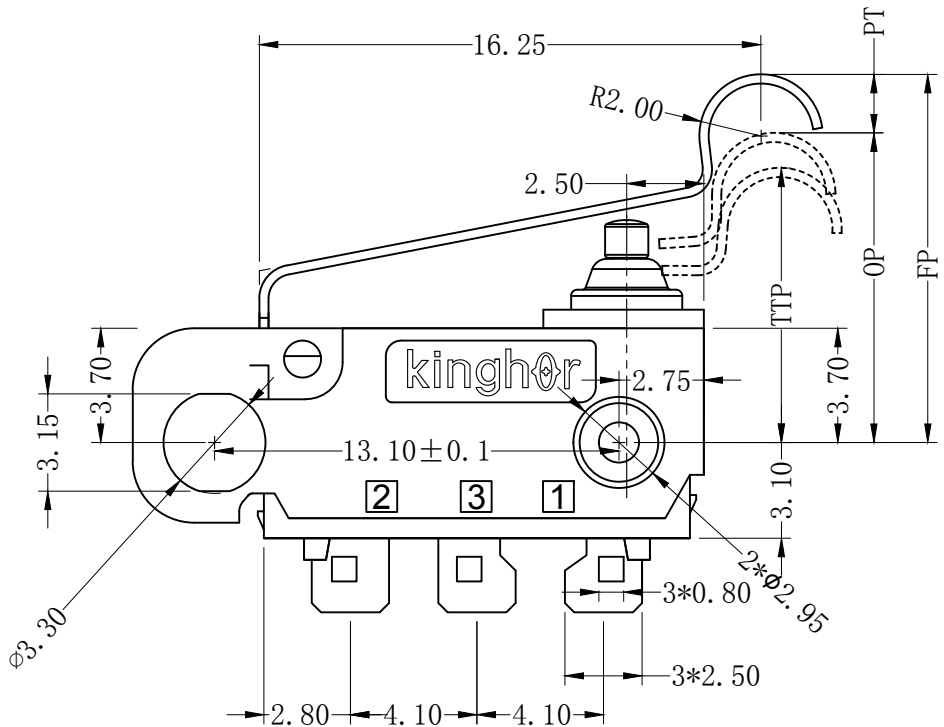
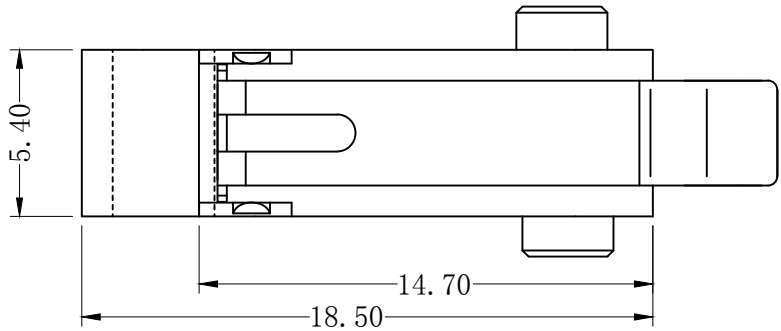


REV	MARK	DESCRIPTION	DRAFTED. BY	DATE



CHARACTERISTICS	
OPERATING FORCE (OF):	200gf Max.
RELEASE FORCE (RF):	25gf Min.
OPERATING POSITION:	10.5±0.7 mm.
PRE TRAVEL:	3.80mm Max.
DIFFERENTIAL TRAVEL:	0.7mm Max.
FREE POSITION:	13.5mm Max.

ELECTRICAL DATA	
<b>RATING</b>	<b>OPERATING LIFE</b>
3A 12VDC	100,000 CYCLES
0.1A 48VDC 125/250VAC	100,000 CYCLES

<b>MECHANICAL LIFE</b>	<b>500,000 CYCLES</b>
<b>GAP TYPE</b>	<b>MICRO</b>
<b>OPERATING TEMP</b>	<b>-40°C ~ +85°C</b>
<b>WATERPROOF</b>	<b>IP67</b>

OUTLINE DRAWING			
<b>TITLE</b>	<b>H3 SERIES MICRO SWITCH</b>		
<b>MODEL</b>	<b>H3-B1</b>		
<b>PART NO.</b>	<b>H3-B1-1D05S</b>		
<b>DRAFTED BY</b>	Bing Wang	<b>DATE</b>	2020-9-7
<b>CHECKED BY</b>	Hua Bai	<b>DATE</b>	2020-9-7
<b>APPROVED BY</b>	Hong Chen	<b>DATE</b>	2020-9-7

TOLERANCE UNLESS OTHERWISE SPECIFIED							
≤3	1~3	3~10	10~30	30~100	100~200	ANGLE	
±0.2	±0.3	±0.4	±0.6	±1.0	±1.5	±3.0°	
						<b>SCALE</b>	
						<b>UNIT</b>	mm
						<b>VERSION REV</b>	A1
						<b>KINGHOR</b>	