

NW7 シリーズ
SERIES

両極性高さ7mm品
Bi-polar, 7mm Height

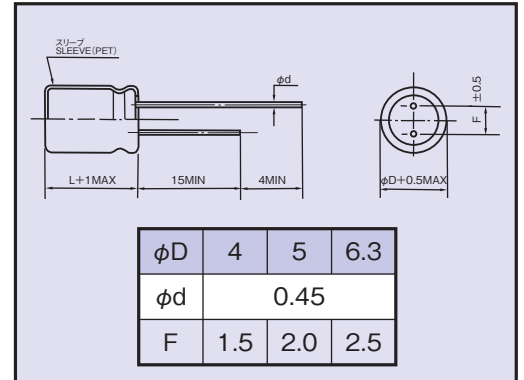
RoHS
compliance



◆規格表 / SPECIFICATIONS

| 項目 Items | 特性 Characteristics | |
|---|--|--|
| カテゴリ温度範囲 Category Temperature Range | -40~+85°C | |
| 定格電圧範囲 Rated Voltage Range | 6.3~50Vdc | |
| 静電容量許容差 Capacitance Tolerance | ±20% (20°C, 120Hz) | |
| 漏れ電流 Leakage Current(MAX) | $I=0.05CV$ 又は $10\mu A$ のいずれか大なる値以下 (定格電圧印加5分後) $I=0.05CV$ or $10\mu A$ whichever is greater. (After 5 minutes application of rated voltage) I =漏れ電流(μA) C =静電容量(μF) V =定格電圧(Vdc) Leakage Current Capacitance Rated Voltage | |
| 損失角の正接 ($\tan\delta$) Dissipation Factor(MAX) | 定格電圧(Vdc) Rated Voltage | 6.3 10 16 25 35 50 (20°C, 120Hz) |
| | $\tan\delta$ | 0.26 0.22 0.18 0.17 0.15 0.14 |
| 耐久性 Endurance | 85°C中で500時間毎に極性を反転させ1000時間定格電圧(リップル重畳)印加後、下記項目を満足すること。 After applying rated voltage with rated ripple current for 1000hrs at 85°C, (The polarity shall be reversed every 500hrs.), the capacitors shall meet the following requirements. | |
| | 静電容量変化率 Capacitance Change | 初期値の±25%以内 Within ±25% of the initial value. |
| | 損失角の正接 Dissipation Factor | 規格値の200%以下 Not more than 200% of the specified value. |
| | 漏れ電流 Leakage Current | 規格値以下 Not more than the specified value. |
| 低温特性 Low Temperature Stability (インピーダンス比) Impedance Ratio(MAX) | 定格電圧(Vdc) Rated Voltage | 6.3 10 16 25 35 50 (120Hz) |
| | $Z(-25^\circ C)/Z(20^\circ C)$ | 4 3 3 2 2 2 |
| | $Z(-40^\circ C)/Z(20^\circ C)$ | 10 8 6 4 4 4 |

◆寸法図 / DIMENSIONS (mm)



◆リップル電流補正係数 /
MULTIPLIER FOR RIPPLE CURRENT
周波数係数 Frequency coefficient

| 周波数(Hz) Frequency | 60(50) | 120 | 500 | 1k | 10k≤ |
|----------------------|--------|------|------|------|------|
| 0.33~1µF | 0.50 | 1.00 | 1.20 | 1.30 | 1.50 |
| 2.2~4.7µF | 0.65 | 1.00 | 1.20 | 1.30 | 1.50 |
| 10~47µF | 0.80 | 1.00 | 1.20 | 1.30 | 1.50 |

◆副記号 / OPTION

| | 記号 Code |
|--------------------|---------|
| PETスリーブ PET Sleeve | EFC |

◆標準品一覧表 / STANDARD SIZE

Size φD×L(mm), Rated Ripple Current (mA r.m.s./85°C, 120Hz)

| Vdc | Cap (µF) | Size (φD×L) | Rated Ripple Current |
|-----|----------|-------------|----------------------|
| 6.3 | 22 | 5×7 | 32 |
| | 33 | 5×7 | 40 |
| | 47 | 6.3×7 | 56 |
| 10 | 10 | 4×7 | 23 |
| | 22 | 5×7 | 35 |
| | 33 | 6.3×7 | 45 |
| | 47 | 6.3×7 | 65 |

| Vdc | Cap (µF) | Size (φD×L) | Rated Ripple Current |
|-----|----------|-------------|----------------------|
| 16 | 4.7 | 4×7 | 18 |
| | 10 | 4×7 | 25 |
| | 22 | 6.3×7 | 45 |
| | 33 | 6.3×7 | 60 |
| | 47 | 6.3×7 | 65 |
| 25 | 3.3 | 4×7 | 15 |
| | 4.7 | 4×7 | 18 |
| | 10 | 6.3×7 | 35 |
| | 22 | 6.3×7 | 50 |

| Vdc | Cap (µF) | Size (φD×L) | Rated Ripple Current |
|-----|----------|-------------|----------------------|
| 35 | 2.2 | 4×7 | 13 |
| | 3.3 | 5×7 | 19 |
| | 4.7 | 5×7 | 22 |
| | 10 | 6.3×7 | 37 |
| | 0.33 | 4×7 | 3 |
| 50 | 0.47 | 4×7 | 5 |
| | 1 | 4×7 | 10 |
| | 2.2 | 5×7 | 15 |
| | 3.3 | 5×7 | 19 |
| | 4.7 | 6.3×7 | 26 |

◆呼称方法 / PART NUMBER

| | | | | | | |
|-----------------------|-----------------|---------------------|----------------------------------|---------------|-------------------------|---------------------|
| □□□ | NW7 | □□□□□ | M | □□□ | □□ | D×L |
| 定格電圧 Rated Voltage | シリーズ名 Series | 静電容量 Capacitance | 静電容量許容差 Capacitance Tolerance | 副記号 Option | リード加工記号 Lead Forming | ケースサイズ Case Size |