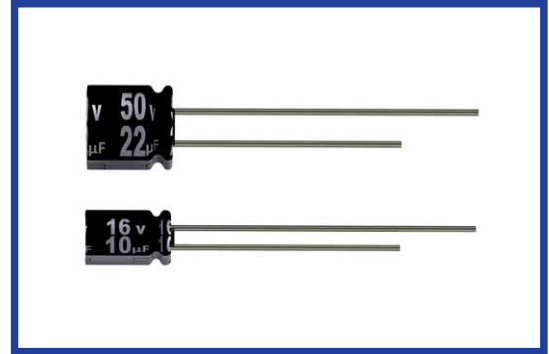


MH7 シリーズ
SERIES

105°C 高さ7mm品
105°C 7mm Height

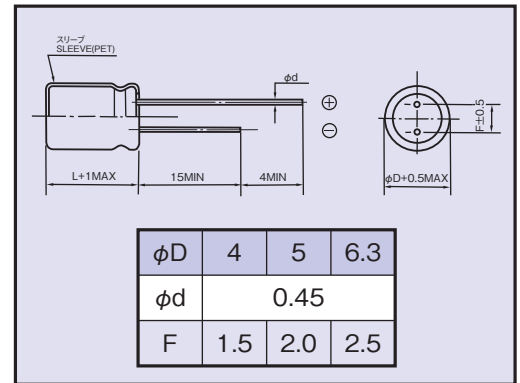
・105°C 1000時間品。
Load Life : 105°C 1000 hours.



◆規格表 / SPECIFICATIONS

| 項目 Items | 特性 Characteristics | | | | | | | | | | | | | | | | | | | | | | | | |
|--|---|-------------------------------|---|------------------------------|--|-------------------------|---|----|---------------|------------------|------|------|------|------|------|------|--|------------------|---|---|---|---|---|---|--|
| カテゴリ温度範囲 Category Temperature Range | -40~+105°C | | | | | | | | | | | | | | | | | | | | | | | | |
| 定格電圧範囲 Rated Voltage Range | 6.3~50Vdc | | | | | | | | | | | | | | | | | | | | | | | | |
| 静電容量許容差 Capacitance Tolerance | ±20% (20°C, 120Hz) | | | | | | | | | | | | | | | | | | | | | | | | |
| 漏れ電流 Leakage Current (MAX) | I=0.01CV又は3µAのいずれか大なる値以下 (定格電圧印加2分後) I=0.01CV or 3µA whichever is greater. (After 2 minutes application of rated voltage) I=漏れ電流(µA) C=静電容量(µF) V=定格電圧(Vdc) Leakage Current Capacitance Rated Voltage | | | | | | | | | | | | | | | | | | | | | | | | |
| 損失角の正接 (tanδ) Dissipation Factor (MAX) | <table border="1"> <tr> <td>定格電圧(Vdc) Rated Voltage</td> <td>6.3</td> <td>10</td> <td>16</td> <td>25</td> <td>35</td> <td>50</td> <td>(20°C, 120Hz)</td> </tr> <tr> <td>tanδ</td> <td>0.24</td> <td>0.20</td> <td>0.16</td> <td>0.14</td> <td>0.12</td> <td>0.10</td> <td></td> </tr> </table> | 定格電圧(Vdc) Rated Voltage | 6.3 | 10 | 16 | 25 | 35 | 50 | (20°C, 120Hz) | tanδ | 0.24 | 0.20 | 0.16 | 0.14 | 0.12 | 0.10 | | | | | | | | | |
| 定格電圧(Vdc) Rated Voltage | 6.3 | 10 | 16 | 25 | 35 | 50 | (20°C, 120Hz) | | | | | | | | | | | | | | | | | | |
| tanδ | 0.24 | 0.20 | 0.16 | 0.14 | 0.12 | 0.10 | | | | | | | | | | | | | | | | | | | |
| 耐久性 Endurance | 105°C中で1000時間定格電圧(リップル重畳)印加後、下記項目を満足すること。 After applying rated voltage with rated ripple current for 1000 hours at 105°C, the capacitors shall meet the following requirements. <table border="1"> <tr> <td>静電容量変化率 Capacitance Change</td> <td>初期値の±25%以内 Within ±25% of the initial value.</td> </tr> <tr> <td>損失角の正接 Dissipation Factor</td> <td>規格値の200%以下 Not more than 200% of the specified value.</td> </tr> <tr> <td>漏れ電流 Leakage Current</td> <td>規格値以下 Not more than the specified value.</td> </tr> </table> | 静電容量変化率 Capacitance Change | 初期値の±25%以内 Within ±25% of the initial value. | 損失角の正接 Dissipation Factor | 規格値の200%以下 Not more than 200% of the specified value. | 漏れ電流 Leakage Current | 規格値以下 Not more than the specified value. | | | | | | | | | | | | | | | | | | |
| 静電容量変化率 Capacitance Change | 初期値の±25%以内 Within ±25% of the initial value. | | | | | | | | | | | | | | | | | | | | | | | | |
| 損失角の正接 Dissipation Factor | 規格値の200%以下 Not more than 200% of the specified value. | | | | | | | | | | | | | | | | | | | | | | | | |
| 漏れ電流 Leakage Current | 規格値以下 Not more than the specified value. | | | | | | | | | | | | | | | | | | | | | | | | |
| 低温特性 Low Temperature Stability (インピーダンス比) Impedance Ratio (MAX) | <table border="1"> <tr> <td>定格電圧(Vdc) Rated Voltage</td> <td>6.3</td> <td>10</td> <td>16</td> <td>25</td> <td>35</td> <td>50</td> <td>(120Hz)</td> </tr> <tr> <td>Z(-25°C)/Z(20°C)</td> <td>3</td> <td>2</td> <td>2</td> <td>2</td> <td>2</td> <td>2</td> <td></td> </tr> <tr> <td>Z(-40°C)/Z(20°C)</td> <td>6</td> <td>5</td> <td>4</td> <td>3</td> <td>3</td> <td>3</td> <td></td> </tr> </table> | 定格電圧(Vdc) Rated Voltage | 6.3 | 10 | 16 | 25 | 35 | 50 | (120Hz) | Z(-25°C)/Z(20°C) | 3 | 2 | 2 | 2 | 2 | 2 | | Z(-40°C)/Z(20°C) | 6 | 5 | 4 | 3 | 3 | 3 | |
| 定格電圧(Vdc) Rated Voltage | 6.3 | 10 | 16 | 25 | 35 | 50 | (120Hz) | | | | | | | | | | | | | | | | | | |
| Z(-25°C)/Z(20°C) | 3 | 2 | 2 | 2 | 2 | 2 | | | | | | | | | | | | | | | | | | | |
| Z(-40°C)/Z(20°C) | 6 | 5 | 4 | 3 | 3 | 3 | | | | | | | | | | | | | | | | | | | |

◆寸法図 / DIMENSIONS (mm)



◆リップル電流補正係数 / MULTIPLIER FOR RIPPLE CURRENT

| 周波数 (Hz) Frequency | 60(50) | 120 | 500 | 1k | 10k≤ |
|-----------------------|--------|------|------|------|------|
| 1µF | 0.50 | 1.00 | 1.20 | 1.30 | 1.50 |
| 2.2~4.7µF | 0.65 | 1.00 | 1.20 | 1.30 | 1.50 |
| 10~47µF | 0.80 | 1.00 | 1.20 | 1.30 | 1.50 |
| 100µF | 0.80 | 1.00 | 1.10 | 1.15 | 1.20 |

◆標準品一覧表 / STANDARD SIZE Size φD×L(mm), Rated Ripple Current (mA r.m.s./105°C, 120Hz)

| Vdc | Cap (µF) | Size (φD×L) | Rated Ripple Current |
|-----|----------|-------------|----------------------|
| 6.3 | 22 | 4×7 | 34 |
| | 33 | 5×7 | 42 |
| | 47 | 5×7 | 50 |
| | 100 | 6.3×7 | 77 |
| 10 | 22 | 5×7 | 38 |
| | 33 | 5×7 | 47 |
| | 47 | 6.3×7 | 65 |
| | 100 | 6.3×7 | 87 |
| 16 | 10 | 4×7 | 29 |
| | 22 | 5×7 | 44 |
| | 33 | 6.3×7 | 60 |
| | 47 | 6.3×7 | 70 |
| | 100 | 6.3×7 | 91 |
| | 25 | 6.3×7 | 70 |
| 25 | 10 | 5×7 | 33 |
| | 22 | 6.3×7 | 51 |
| | 33 | 6.3×7 | 65 |
| | 47 | 6.3×7 | 70 |
| | 100 | 6.3×7 | 91 |
| 35 | 4.7 | 4×7 | 24 |
| | 10 | 5×7 | 36 |
| | 22 | 6.3×7 | 60 |
| | 33 | 6.3×7 | 65 |
| | 100 | 6.3×7 | 91 |
| | 25 | 6.3×7 | 70 |
| 50 | 1 | 4×7 | 10 |
| | 2.2 | 4×7 | 19 |
| | 3.3 | 4×7 | 24 |
| | 4.7 | 5×7 | 29 |
| | 10 | 6.3×7 | 44 |
| | 22 | 6.3×7 | 60 |

◆副記号 / OPTION

| | 記号 Code |
|--------------------|---------|
| PETスリーブ PET Sleeve | EFC |

◆呼称方法 PART NUMBER

| | | | | | | |
|-----------------------|-----------------|---------------------|----------------------------------|---------------|-------------------------|---------------------|
| □□□ | MH7 | □□□□□ | M | □□□ | □□ | D×L |
| 定格電圧 Rated Voltage | シリーズ名 Series | 静電容量 Capacitance | 静電容量許容差 Capacitance Tolerance | 副記号 Option | リード加工記号 Lead Forming | ケースサイズ Case Size |