

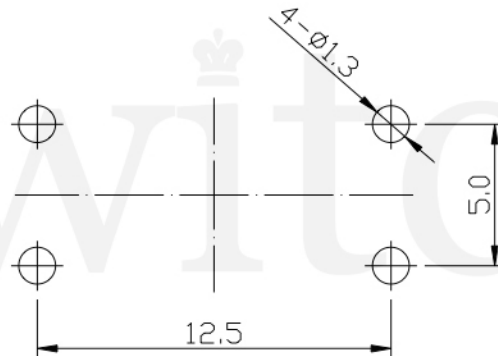
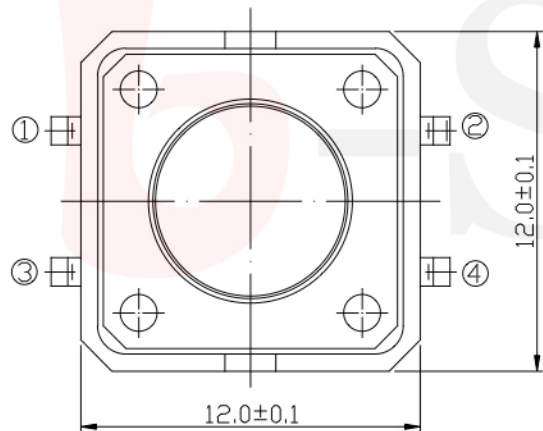
### GT-TC152X-HXXX-LX

G-SWITCH

**Operating Force**  
 A=160gf  
 B=250gf  
 C=100gf

**Switch lifetime (Force)**  
 L05=50,000 Cycles  
 L1=100,000 Cycles  
 L3=300,000 Cycles  
 L5=500,000 Cycles

**Switch Height (mm)**  
 H038=3.8 H043=4.3  
 H045=4.5 H050=5.0  
 H055=5.5 H060=6.0  
 H065=6.5 H070=7.0  
 H075=7.5 H080=8.0  
 H085=8.5 H090=9.0  
 H095=9.5 H100=10.0  
 H105=10.5 H110=11.0  
 H115=11.5 H120=12.0  
 H125=12.5 H130=13.0  
 H135=13.5 H140=14.0  
 H145=14.5 H150=15.0  
 H155=15.5 H160=16.0  
 H165=16.5 H170=17.0



### P.C.B LAND DIMENSION

#### G-Switch Specification:

Operating temperature range : -30°Cto+85°C  
 Rating : 50mA.12V DC  
 Insulation resistance: : 100MΩ min.100V DC  
 Dielectric strength : 250V AC for 1 min  
 Contact resistance: : 100m Ω max.  
 Travel:0.25±0.1mm



电路简图  
 SCHEMATIC



### G-Switch Electronic (HongKong) CO.,Ltd.

Unless otherwise specified, Tolerance: X. ±0.30 X.x ±0.20 X.xx ±0.15 X.xxx ±0.10 Angles ±3°	DESIGN FengFengChen CHECKED DATE APPROVED DATE <a href="http://www.dg-switch.com">http://www.dg-switch.com</a> TEL:0769-82388879	DATE 2019.05.29 DATE DATE REV.: X1 SCALE: 4:1 SHEET: 1/1	Molde code: <b>GT-TC152X-HXXX-LX</b> UNIT: mm
------------------------------------------------------------------------------------------------------------	----------------------------------------------------------------------------------------------------------------------------------------------	-------------------------------------------------------------------------	-----------------------------------------------------