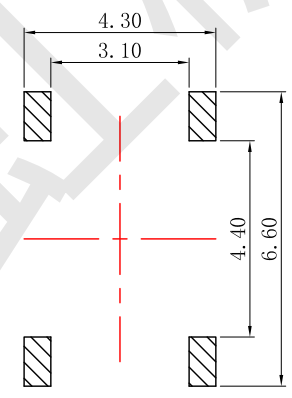
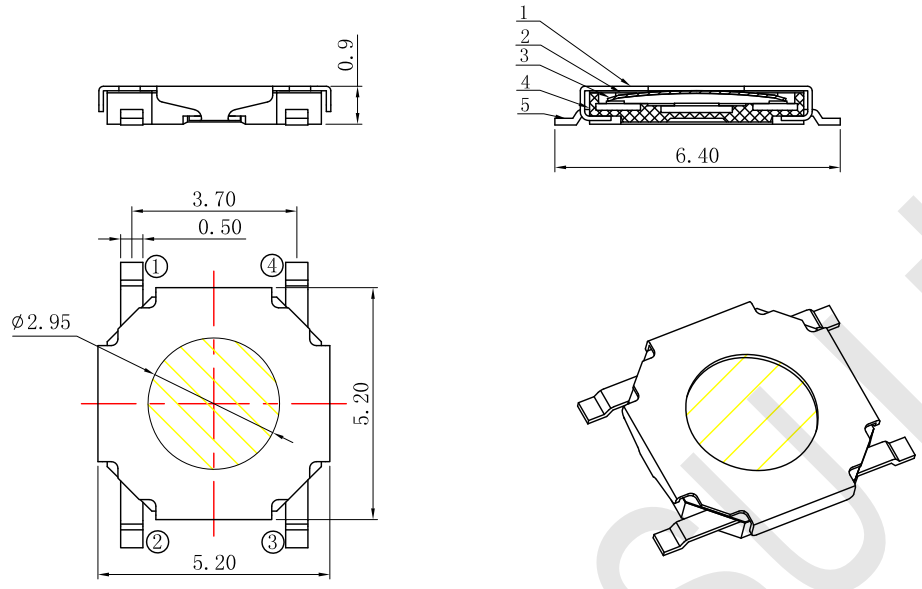
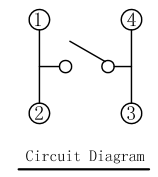


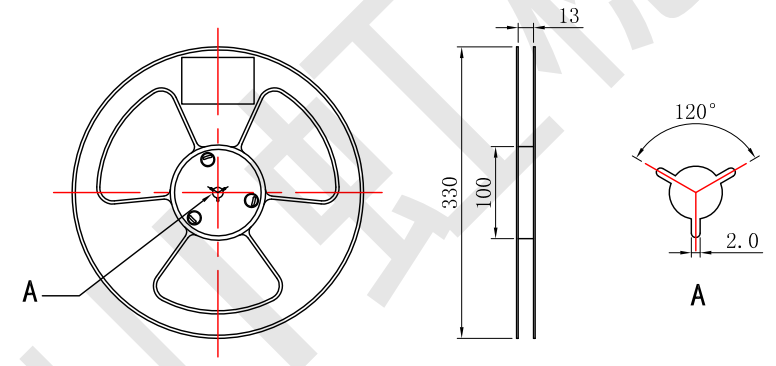
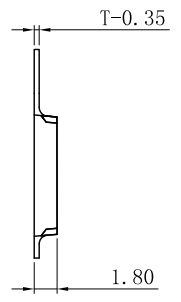
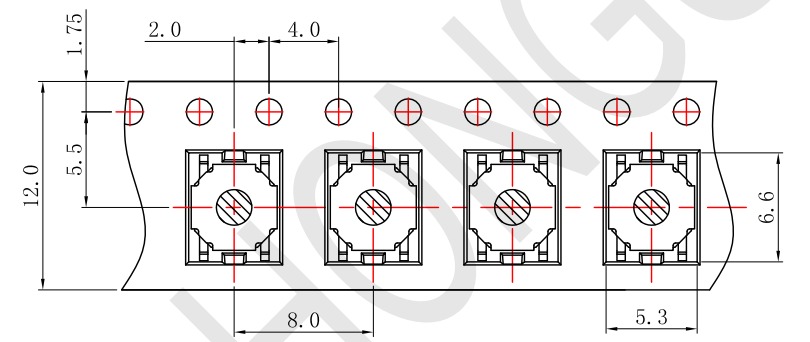
Version	ECM	Amendments	Modifier	Date Modified
A/0				



P. C. B. Layout



- Remarks:
1. Rated current, Voltage: DC 12V 50mA
 2. Contact resistance: $\leq 50m\Omega$
 3. Insulation resistance: $\geq 100M\Omega$
 4. The intensity of operations: $250 \pm 50gf$
 5. Life requirements: 100000次
 6. Withstand voltage: AC250V 1分钟
 7. All materials comply with RoHS standards



- Remarks:
- 1, The number of tapes per volume is 4000 PCS;
 - 2, Braiding process, can not be caused by carrying half crushed;
 - 3, Pay attention to the direction of the tape, with a clockwise direction out of the carrier tape, with a hole in the top or right

NO.	PART NAME	MATERIAL	QTY	FINISHING	General Tolerance	DRAWN	YANGBIAO	Product Name	Tact switch
6					$X \leq 1$	± 0.05	AFFIRM	Model Number	TS52BE90A25B001
5	Terminal	Phosphor Copper	4	Ag Plating	$1 \leq X \leq 5$	± 0.10	AUDITING	DATE	2020-10-27
4	Housing	PPA	1	Black	$5 \leq X \leq 10$	± 0.15			
3	Shrapnel	SUS	1	Ag Plating	$X > 10$	± 0.25			
2	Paster	Polyimide	1	Yellow	ANGLE	$\pm 3^\circ$	SHEET	1:1 UNIT mm	
1	Cover	SUS	1	Ag Plating					
					ZHEJIANG HONGSUI PRECISION ELECTRONIC CO., LTD				