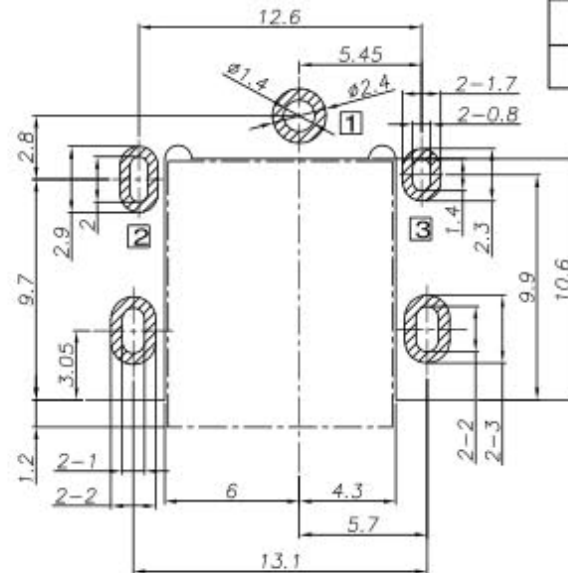
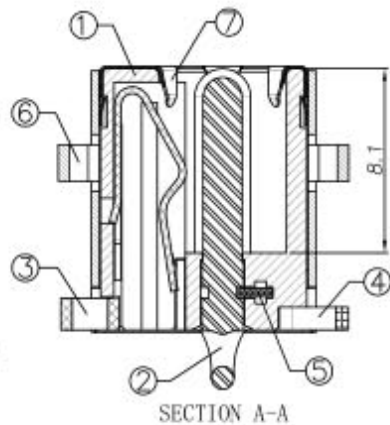
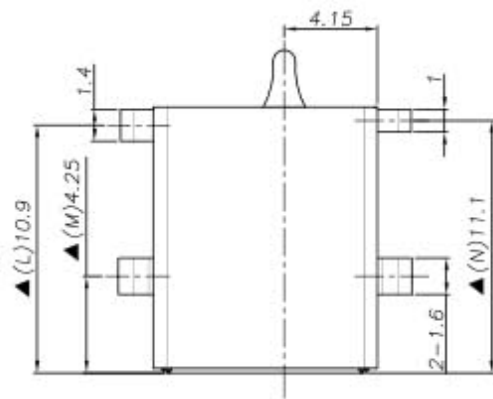
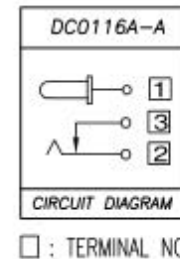
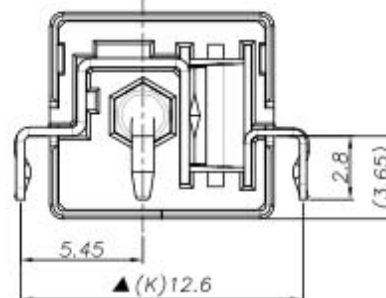
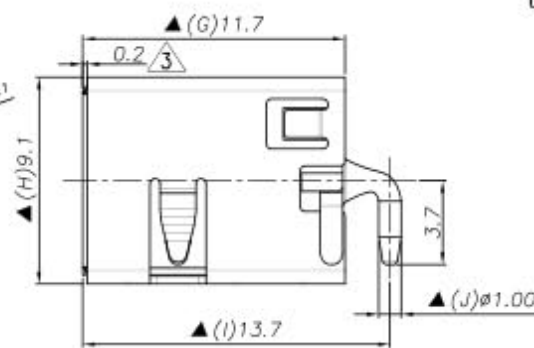
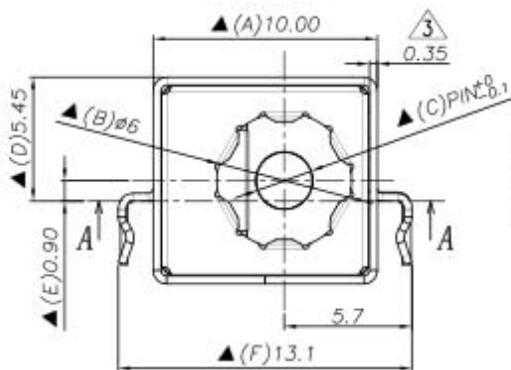


REV. LTR.	DESCRIPTION	SIGN	DATE
3	Add dimensions	赖积任	2012.03.21



RECOMMENDED P.C.B. LAYOUT  
UNSPECIFIED TOLERANCE:  $\pm 0.05$   
(COPPER-SIDED VIEW)



Ordering information:

DC 0116A - A □ □ □ 0A S □ 1

(1) (2) (3) (4) (5) (6) (7) (8) (9)

(1): Series type: DC=DC POWER JACK

(2): Series No.

(3): Schematic option: A

(4): Center pin diameter:

G=1.65, H=2.0, J=2.5

(5): Material of housing:

9T=PA9T (Standard), 10=PA10T

(6): Housing color: 0A=Black

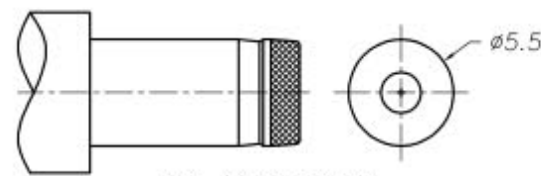
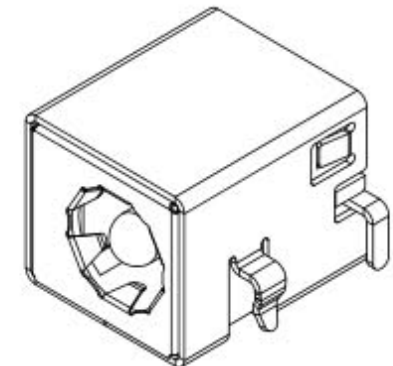
(7): Terminal plating: S=Silver (Ag)

(8): Special option:

Zero 0=No special option

H=Housing is Halogen Free.

(9): Packing mode: 1=Reel packing



DC MATE PLUG

SPECIFICATION

- Rating : DC 20V 7A;
- Contact resistance:  $\leq 30m\Omega$ ,  
After life test:  $\leq 50m\Omega$ ;
- Insulation resistance:  $\geq 100M\Omega$  (DC500V),  
After life test:  $\geq 50M\Omega$ ;
- Withstand voltage: 500VAC ;
- Insertion and extraction force: 3-30N;
- Life test: 5,000 cycles;
- Operation temperature range:  $-20^{\circ}C \sim 70^{\circ}C$ ;
- Preservative temperature range:  $-40^{\circ}C \sim 85^{\circ}C$ ;
- Sign "▲" "is importance dimension.

Model No.	DC0116A-_G	DC0116A-_H	DC0116A-_J
PIN	1.65	2.0	2.5

7	Ground terminal	1	Stainless steel, t0.1	DC0116A-E1	
6	Shield	1	Brass, t0.35	DC01160-W1	Nickel plating
5	Terminal	1	Brass, t0.4	DC01160-04	
4	Shunt terminal	3	Brass, t0.4	DC01160-03	Silver plating
3	Tip spring	2	Phosphor bronze, t0.3	DC01160-02	Silver plating
2	Center pin	1	Zinc alloy	DC01160-99G/H/J	Nickel plating
1	Housing	1	PA9T, PA10T UL94V-0	DC0116A-S1	Black

NO.	DESCRIPTION	QTY	MATERIAL	PART NO.	RMARK
UNIT:MM	TYPE:	MODEL NO:		PAPER NO: A4	PAGE 1 OF 1
	DC POWER JACK	DC0116A-A_0AS_1		TOLERANCE	ANGLES
				±0.3	±2°
				SCALE	VER
				FULL	3

DESIGNER BY:	赖积任 2012-03-22	深圳市金航标电子有限公司	WWW.BDS666.COM
CHECK BY:	张松强 2012-03-22		
APPROVED BY:	贺志平 2012-03-22		
		KH-DC-090-2.0	0755-83044319