

SZV SERIES

105°C Low Impedance, Lead Free Reflow Soldering.

◆ FEATURES

- Load Life : 105°C 1000 hours.
- Lead free reflow soldering is available.
- Available for high density mounting.
- Low impedance at 100kHz with selected materials.
- RoHS compliance.



◆ SPECIFICATIONS

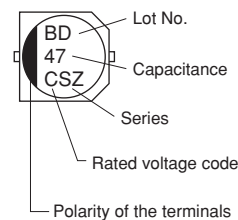
Items	Characteristics																					
Category Temperature Range	-55 ~ +105°C																					
Rated Voltage Range	6.3~35V.DC																					
Capacitance Tolerance	± 20%(20°C, 120Hz)																					
Leakage Current(MAX)	I=0.01CV or 3μA whichever is greater. (After 2 minutes application of rated voltage) I=Leakage Current(μA) C=Rated Capacitance(μF) V=Rated Voltage(V)																					
Dissipation Factor(MAX) (tanδ)	<table border="1"> <tr> <td>Rated Voltage (V)</td> <td>6.3</td> <td>10</td> <td>16</td> <td>25</td> <td>35</td> <td>(20°C, 120Hz)</td> </tr> <tr> <td>tanδ</td> <td>0.26</td> <td>0.19</td> <td>0.16</td> <td>0.14</td> <td>0.12</td> <td></td> </tr> </table>	Rated Voltage (V)	6.3	10	16	25	35	(20°C, 120Hz)	tanδ	0.26	0.19	0.16	0.14	0.12								
Rated Voltage (V)	6.3	10	16	25	35	(20°C, 120Hz)																
tanδ	0.26	0.19	0.16	0.14	0.12																	
Endurance	<p>After applying rated voltage with rated ripple current for 1000 hrs at 105°C, the capacitors shall meet the following requirements.</p> <table border="1"> <tr> <td>Capacitance Change</td> <td>Within ±25% of the initial value.</td> </tr> <tr> <td>Dissipation Factor</td> <td>Not more than 200% of the specified value.</td> </tr> <tr> <td>Leakage Current</td> <td>Not more than the specified value.</td> </tr> </table>	Capacitance Change	Within ±25% of the initial value.	Dissipation Factor	Not more than 200% of the specified value.	Leakage Current	Not more than the specified value.															
Capacitance Change	Within ±25% of the initial value.																					
Dissipation Factor	Not more than 200% of the specified value.																					
Leakage Current	Not more than the specified value.																					
Low Temperature Stability Impedance Ratio(MAX)	<table border="1"> <tr> <td>Rated Voltage (V)</td> <td>6.3</td> <td>10</td> <td>16</td> <td>25</td> <td>35</td> <td>(120Hz)</td> </tr> <tr> <td>Z(-25°C)/Z(20°C)</td> <td>2</td> <td>2</td> <td>2</td> <td>2</td> <td>2</td> <td></td> </tr> <tr> <td>Z(-55°C)/Z(20°C)</td> <td>5</td> <td>4</td> <td>4</td> <td>3</td> <td>3</td> <td></td> </tr> </table>	Rated Voltage (V)	6.3	10	16	25	35	(120Hz)	Z(-25°C)/Z(20°C)	2	2	2	2	2		Z(-55°C)/Z(20°C)	5	4	4	3	3	
Rated Voltage (V)	6.3	10	16	25	35	(120Hz)																
Z(-25°C)/Z(20°C)	2	2	2	2	2																	
Z(-55°C)/Z(20°C)	5	4	4	3	3																	

◆ MULTIPLIER FOR RIPPLE CURRENT

Frequency coefficient

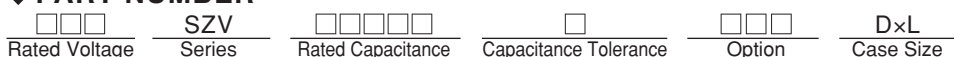
Frequency (Hz)		120	1k	10k	100k≤
Coefficient	1μF	0.30	0.60	0.80	1.00
	2.2~4.7μF	0.42	0.60	0.80	1.00
	10~33μF	0.55	0.75	0.90	1.00
	47~100μF	0.70	0.85	0.95	1.00

◆ MARKING



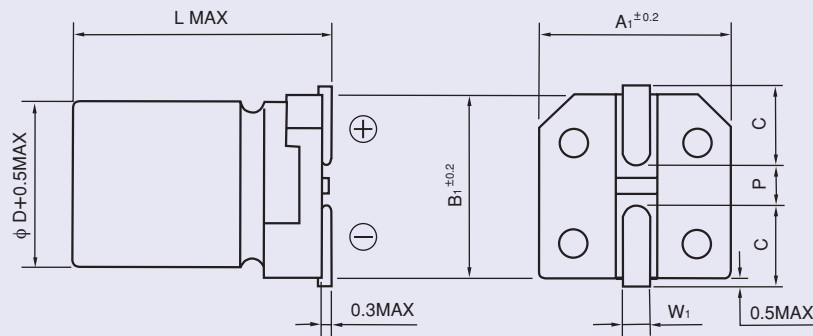
Rated Voltage (V)	6.3	10	16	25	35
Rated Voltage code	j	A	C	E	V

◆ PART NUMBER



◆ DIMENSIONS

(mm)



ϕD	L	A_1	B_1	C	W_1	P
4	5.5	4.3	4.3	1.8	0.5~0.8	1.0
5	5.5	5.3	5.3	2.2	0.5~0.8	1.3
6.3	5.5	6.6	6.6	2.7	0.5~0.8	1.8

◆ STANDARD SIZE

Size ϕD (mm), Ripple Current (mA r.m.s./105°C, 100kHz), Impedance(Ω MAX/20°C, 100kHz)

WV (V.DC) Cap(μ F)	6.3 (0J)			10 (1A)			16 (1C)		
	Size	Ripple	Z	Size	Ripple	Z	Size	Ripple	Z
10							4x5.5	60	3.0
22	4x5.5	60	3.0				5x5.5	95	1.8
33				5x5.5	95	1.8	6.3x5.5	140	1.0
47	5x5.5	95	1.8				6.3x5.5	140	1.0
100	6.3x5.5	140	1.0						

WV (V.DC) Cap(μ F)	25 (1E)			35 (1V)		
	Size	Ripple	Z	Size	Ripple	Z
1				4x5.5	60	3.9
2.2				4x5.5	60	3.7
3.3				4x5.5	60	3.6
4.7	4x5.5	60	3.6	4x5.5	60	3.6
10				5x5.5	95	2.0
22				6.3x5.5	140	1.0
33	6.3x5.5	140	1.0			