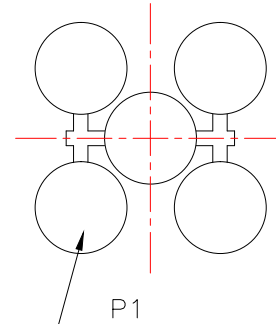
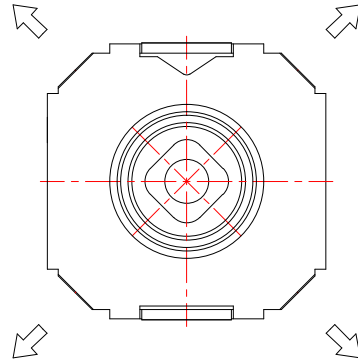
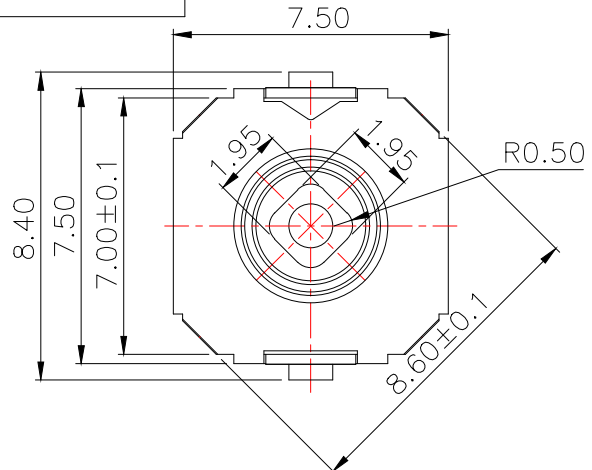
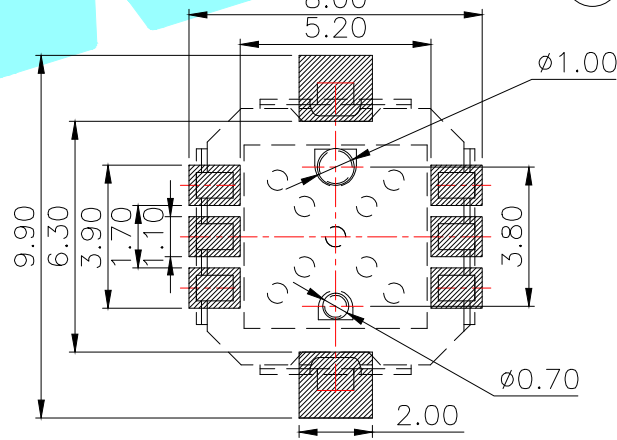
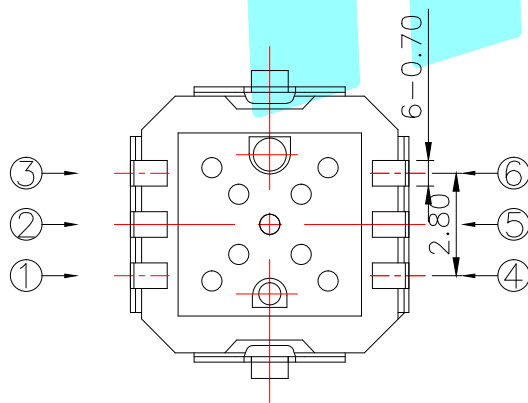
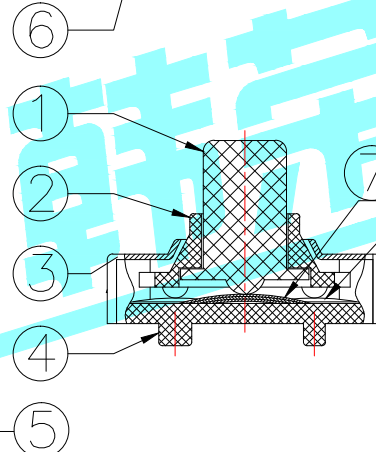
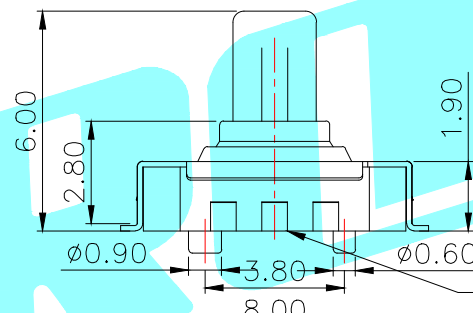
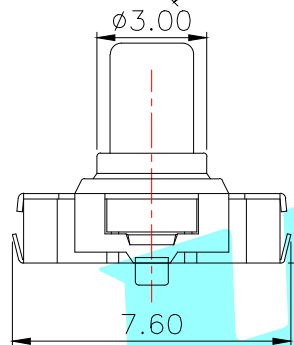


ROHS



Terminal Direction	①	②	③	④	⑤	⑥
↓		○			○	
↖	○					
↗				○		
↙			○			
↘						○

Circuit Diagram



PCB Layout(Pattern Side)

NOTE:  
 Operating Force:  
 lever portion: 170 ± 35 gf  
 Push portion: 250gf 350gf 450gf  
 Travel: 4-direction 5°±2°  
 center push 0.20±0.1mm

ITEM	PART NAME	TER'NO.	QTY.	MATERIAL	FINISHING	REMARK
⑦	Mylar	—	1	Natural	—	—
⑥	Contact 1	—	—	F.Ag/SUS	—	—
⑤	Terminal	—	6	Brass(0.15t)	Plating silver	—
④	Base	—	1	LCP	Black	—
③	Cover	—	1	SUS	—	—
②	Axle sleeve	—	1	LCP	Black	—
①	Keystoke	—	1	PA46	Black	—

APPROVALS		DATE	HRO® ELECTRONICS CO.,LTD			
DRAWN	J.X.Zhang	2013/7/23	TITLE:	MULTIFUNCTIONAL SWITCHS		
CHECKED			PART NO.	K1-5203UA-01		
APPROVALS			UNIT: mm	SCALE: 1:1	PROJ:	
TOLERANCES ARE		30~以上 ±0.30 10~30 ±0.20 5~10 ±0.15 ~ 5 ±0.10	ANGLE	DRAWING NO.	SHEET 1 OF 1	

ECN NO.	REV.	DATE.	DESCRIPTION.	CHANGE.	CHECK.	APPRO.
	A		NEW			