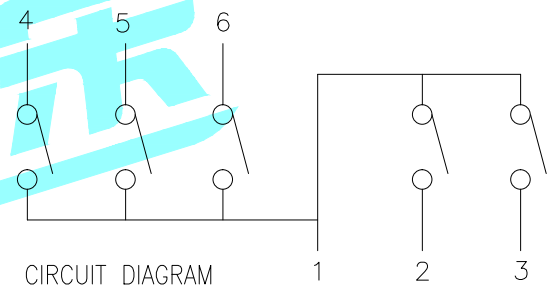
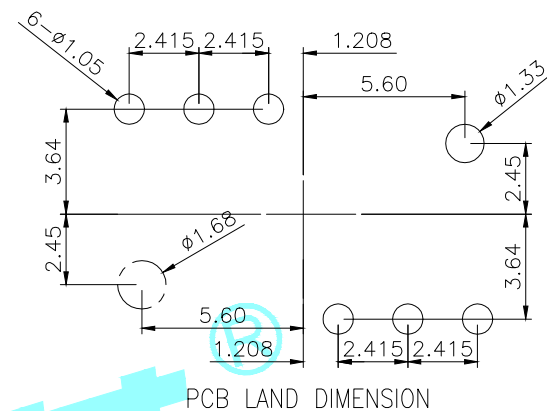
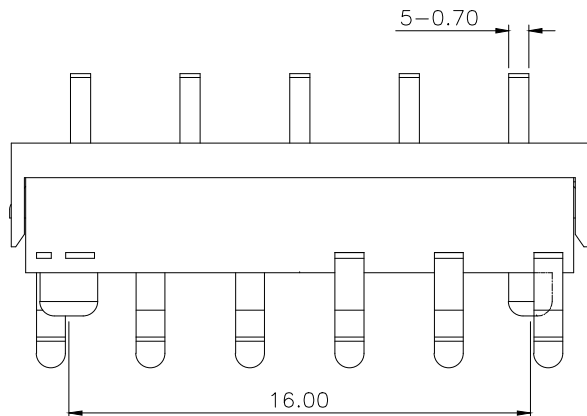
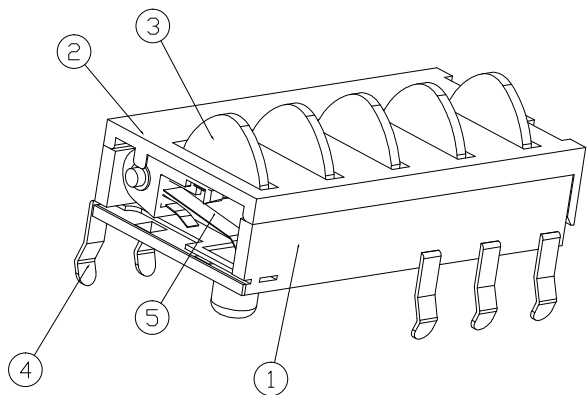
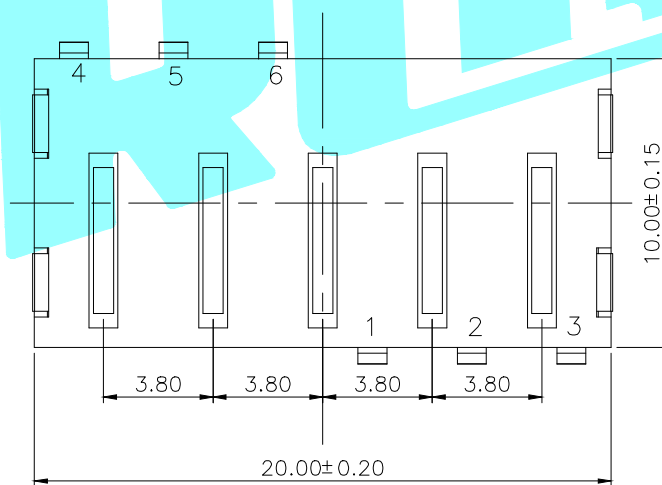
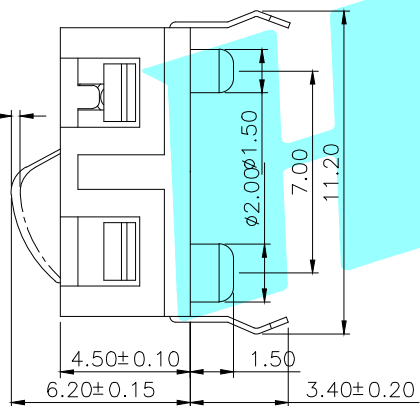


ROHS



导行程0.3-0.7



NOTE:

- 1.Rating: DC 16V 1A.
- 2.Dielectric withstanding : AC 500V for 1minute.
- 3.Contact resistance : 100mΩ Max.
- 4.Insulation Resistance : 50mΩ Min.
- 5.Operating Force: 30gf±10gf.
- 6.Mechanical Life: 50000 CYCLES.

⑤	Spring	—	5	Phosphor bronze	Plating silver	—
④	Terminal	—	6	Brass	Plating silver	—
③	Knob	—	5	POM	White	—
②	Cover	—	1	POM	Black	—
①	Base	—	1	Nylon	Black	—
ITEM	PART NAME	TER'NO.	QTY.	MATERIAL	FINISHING	REMARK

APPROVALS			DATE		 ELECTRONICS CO.,LTD	
DRAWN	LIUCAN	2021.01.13		TITLE:		
CHECKED				PART NO.	K5-2010DA-01	
APPROVALS				TOLERANCES ARE	30~以上 ±0.30 10~30 ±0.20 5~10 ±0.15 ~ 5 ±0.10	ANGLE ±2'
ECN NO.	REV.	DATE.	DESCRIPTION.	CHANGE.	CHECK.	APPRO.

ECN NO.	REV.	DATE.	DESCRIPTION.	CHANGE.	CHECK.	APPRO.
—	A	—	NEW	—	—	—

UNIT: mm	SCALE: 1:1	PROJ:
DRAWING NO.	—	SHEET 1 OF 1