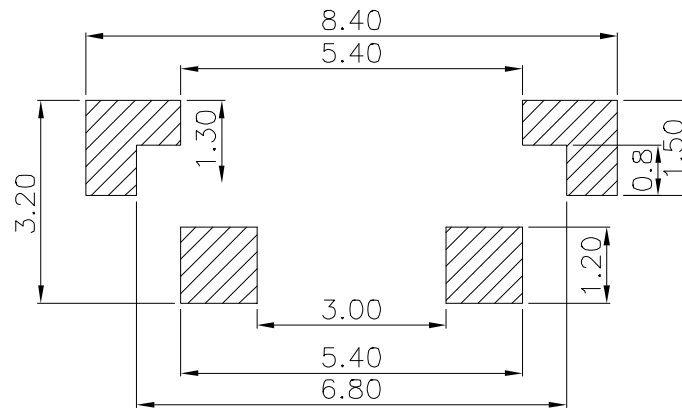
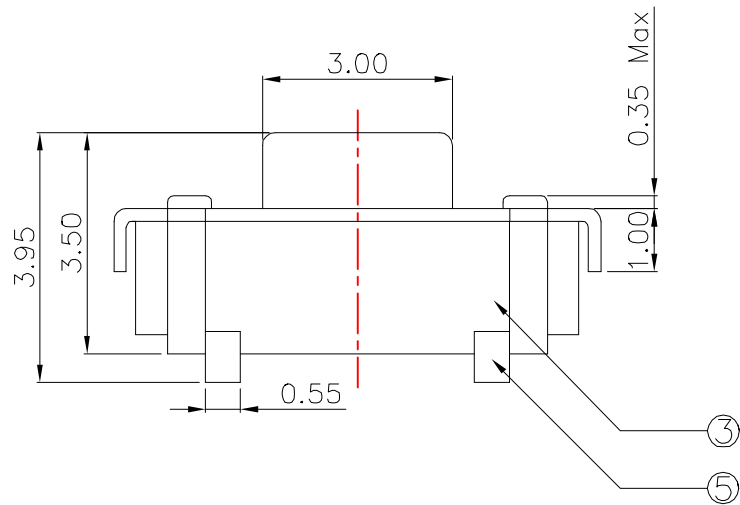
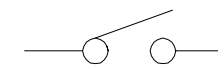




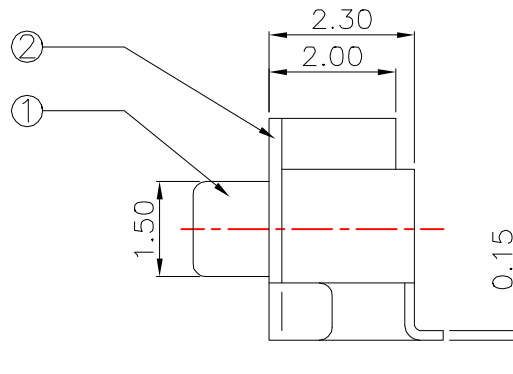
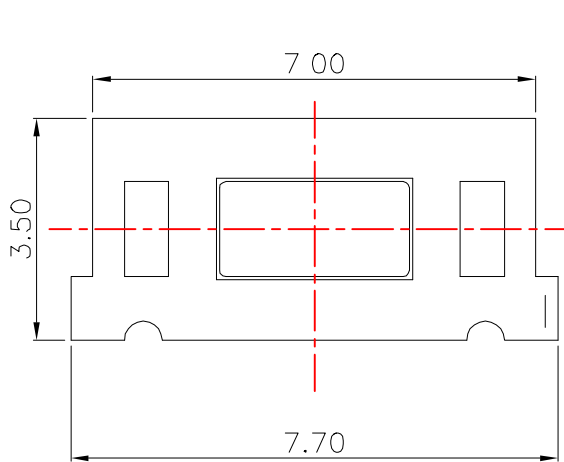
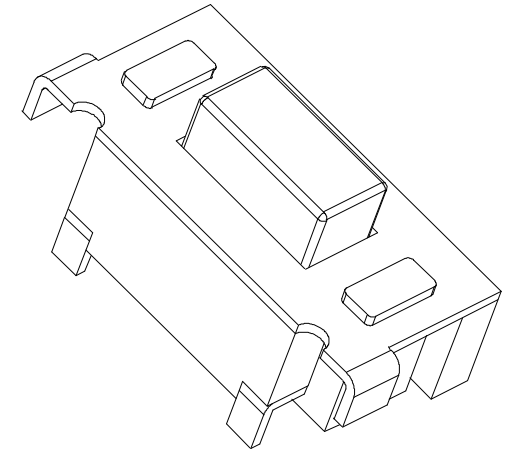
REV.	ECN NO OR DESCRIPTION	REVISED	DATE



PCB Layout recommended



Circuit diagram



P/N: TS-KG012E-X X X XX X
 A-不锈钢
 B-覆磷铜
 C-带柱
 R-不带柱
 T-编带
 B-散装
 G-150±50gf
 F-250±50gf
 H-高度

⑤	Terminal	—	2	Phosphor Bronze	Plating silver	—
④	Contact	—	2	F.Ag/SUS	Natura	—
③	Base	—	1	LCP	White	—
②	Cover	—	1	Brass(0.20t)	Plating Nickel	—
①	Keystoke	—	1	LCP	Black	—
ITEM	PART NAME	TER'NO.	QTY.	MATERIAL	FINISHING	REMARK

UNLESS OTHERWISE SPECIFIED TOLERANCES

DECIMALS:
 30~以上±0.30
 10~30 ±0.20
 5~10 ±0.15
 ~5±0.10

ANGLES:
 ±2'



东莞市汉博电子科技有限公司
 DONGGUAN HANBO TECHNOLOGY CO., LTD

TITLE	TACT SWITCH			
DWN	xiong	PART NO.	TS-KG012E-XXXXXX	
CHKD	lee	SCALE: 1:1	UNIT: mm	
APVD	wang	SIZE: A4	SHEET: 10F 1	REV: A4

CUSTOMER COPY