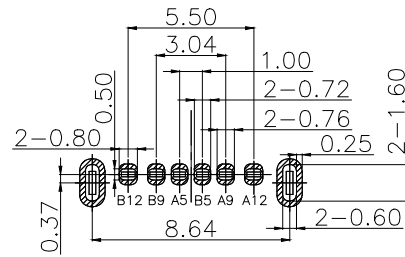
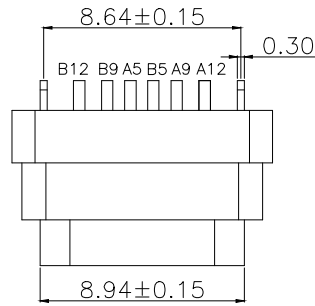


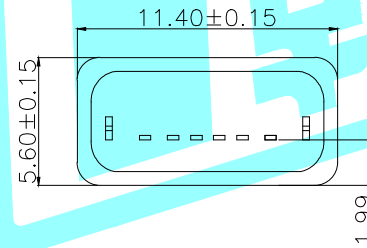
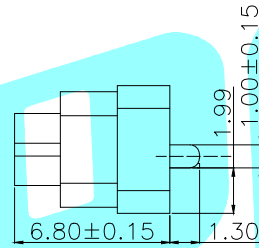
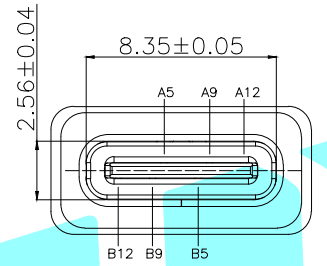
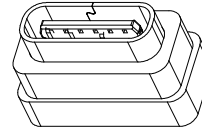
NOTES:

SPECIFICATION:

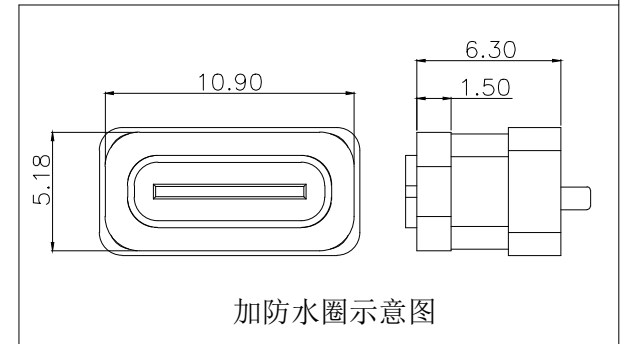
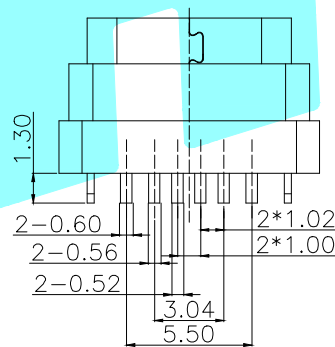
1. CURRENT RATING: 3.0A MAX
2. VOLTAGE: 500 VAC FOR 1 min
3. TEMPERATURE RANGE: -20 °C ~ 85 °C
4. CONTACT RESISTANCE: 40 MILLIONHM MAX
5. INSULATION RESISTANCE: 100 MEGOHMS MIN.
6. INSERTION FORCE : 5N~20N
7. UNMATING FORCE: 6N~20N
8. DURABILITY: 10,000 CYCLES
9. WATER PROOFNESS: THIS PRODUCT IS BASED ON IPX7.



PCB Layout(Pattern side)



A5	CC1	B12	GND
A9	VBUS	B9	VBUS
A12	GND	B5	CC2
PIN	SIGNAL NAME	PIN	SIGNAL NAME



④	防水圈	—	1	硅胶	Black
③	Shell	—	1	SUS304	Ni Plated
②	Contact	—	1	COPPER ALLOY	TIN/Au/NI Plated
①	Housing	—	1	LCP	Black
ITEM	PART NAME	TER'NO.	QTY.	MATERIAL	FINISHING

APPROVALS		DATE		 ELECTRONICS CO.,LTD				
DRAWN	LIUCAN	2021.3.29						
CHECKED				TITLE:	USB CONNECTOR			
APPROVALS				PART NO.	TYPE-C-31-E-11			
TOLERANCES ARE		30~以上	±0.30	ANGLE	UNIT: mm			
		10~30	±0.25					
		5~10	±0.20					
		~ 5	±0.15					
			±2'	SCALE: 1:1	PROJ:			
ECN NO.	REV.	DATE.	DESCRIPTION.	CHANGE.	CHECK.	APPRO.	DRAWING NO.	SHEET 1 OF 1

—	A	—	NEW	—	—	—
ECN NO.	REV.	DATE.	DESCRIPTION.	CHANGE.	CHECK.	APPRO.