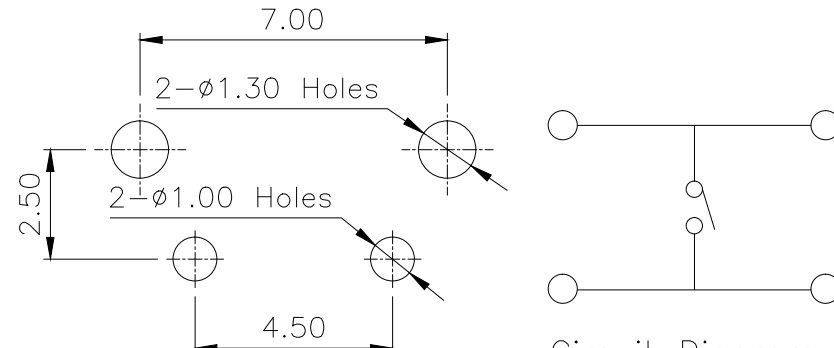
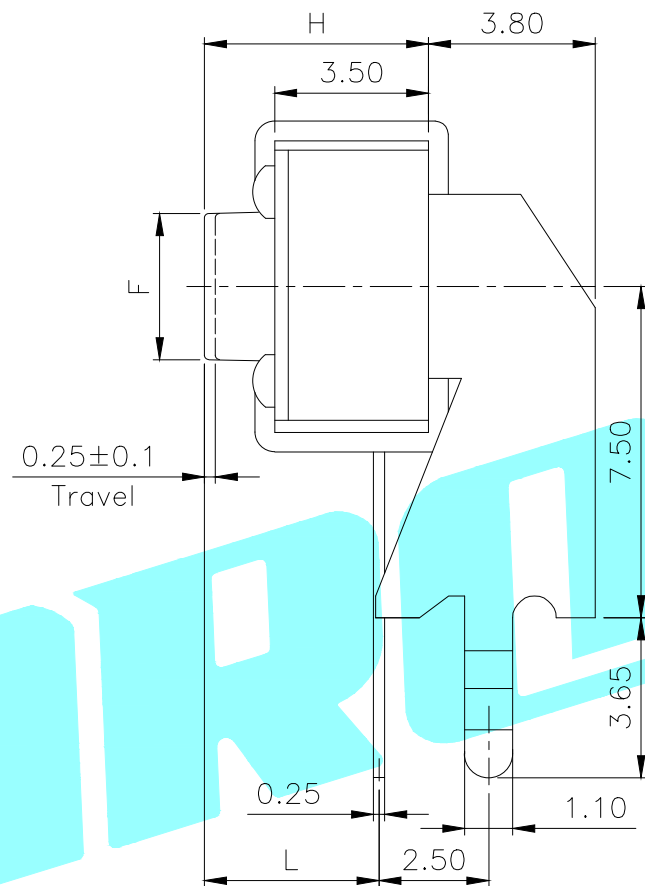
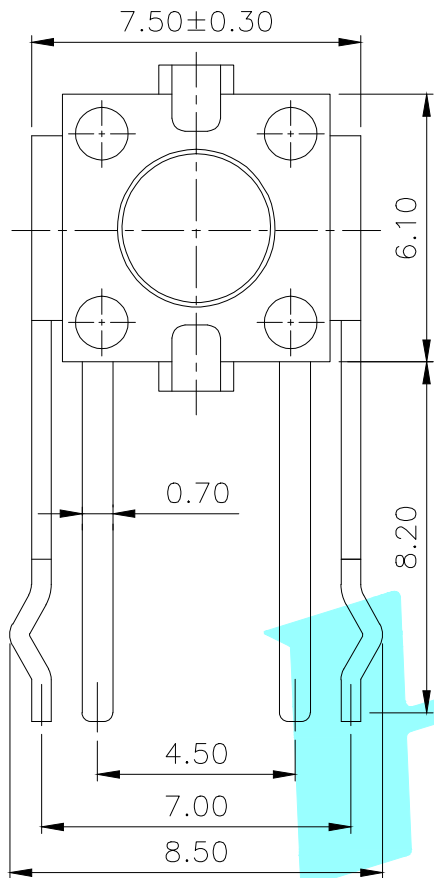


ROHS



PCB Layout (Pattern side)

Circuit Diagram

PART NO	H	L	F
A	4.3	3.30	∅3.40
C	5	4.00	∅3.40
D	5.5	4.50	∅3.40
E	6	5.00	∅3.40
F	6.5	5.50	∅3.30
G	7	6.00	∅3.30
H	7.5	6.50	∅3.30
I	8	7.00	∅3.20
J	8.5	7.50	∅3.20
K	9	8.00	∅3.20
L	9.5	8.50	∅3.20

PART NO	vigor
1	90±30
2	130±30
3	180±30
4	250±30
5	350±50

PART NO	MATERIAL/QTY
S	SUS/1PC
C	C5210/1PC
D	SUS/2PCS
F	C5210/2PCS

PART NO	NOTE
01~99	SERIAL NUMBER

ITEM	PART NAME	TER'NO.	QTY.	MATERIAL	FINISHING	REMARK
⑥	Trestle	—	1	SPCC	Plating Nickel	—
⑤	Terminal	—	2	Brass(0.30t)	Plating silver	—
④	Contact	—	1	F.Ag/SUS	Plating silver	—
③	Base	—	1	Nylon	Black	—
②	Cover	—	1	SPCC	Plating Nickel	—
①	Keystoke	—	1	Nylon	Black	—

APPROVALS		DATE		HROELECTRONICS CO.,LTD		
DRAWN	J.X.Zhang	2013/5/30		ELECTRONICS CO.,LTD		
CHECKED				TITLE: TACT SWITCHES		
APPROVALS				PART NO. K2-1102BG-□□□W-□□		
TOLERANCES ARE		30~以上 ±0.30	10~30 ±0.20	ANGLE	UNIT: mm	SCALE: 1:1
		5~10 ±0.15	~ 5 ±0.10	±2'	DRAWING NO.	PROJ:
ECN NO.		REV.		DATE.		SHEET 1 OF 1

ECN NO.	REV.	DATE.	DESCRIPTION.	CHANGE.	CHECK.	APPRO.
—	A	—	NEW	—	—	—