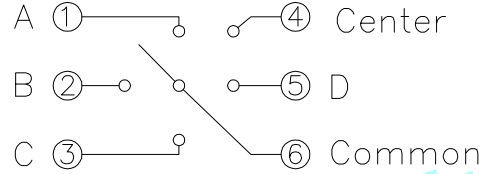
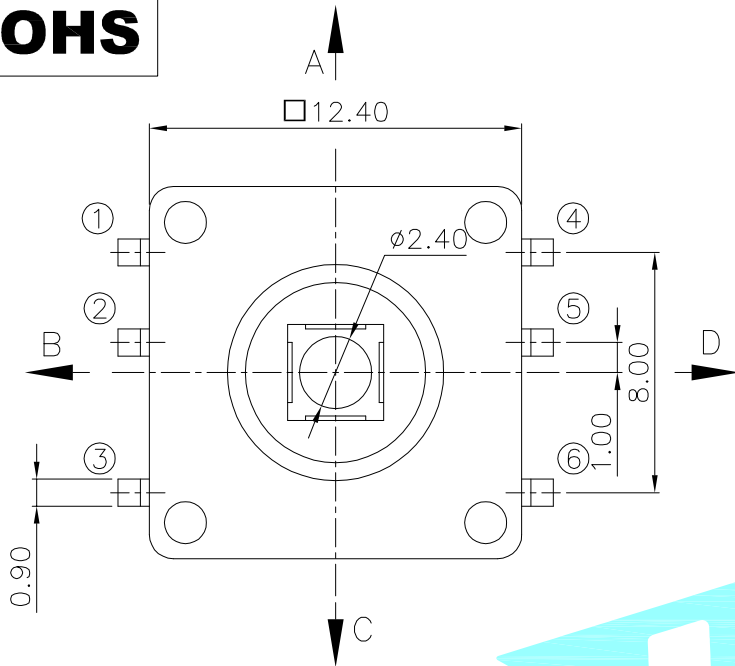
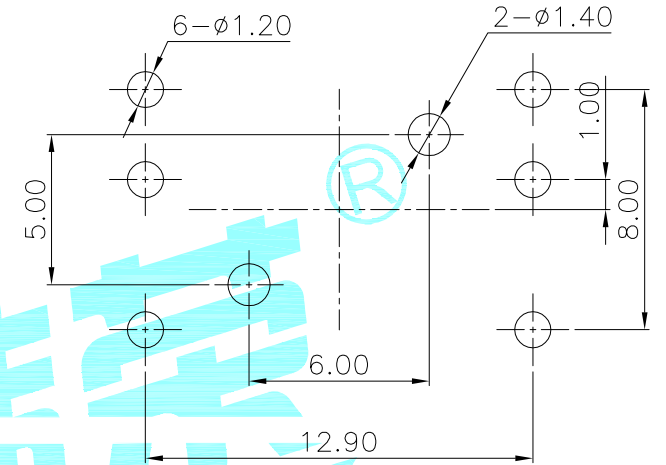


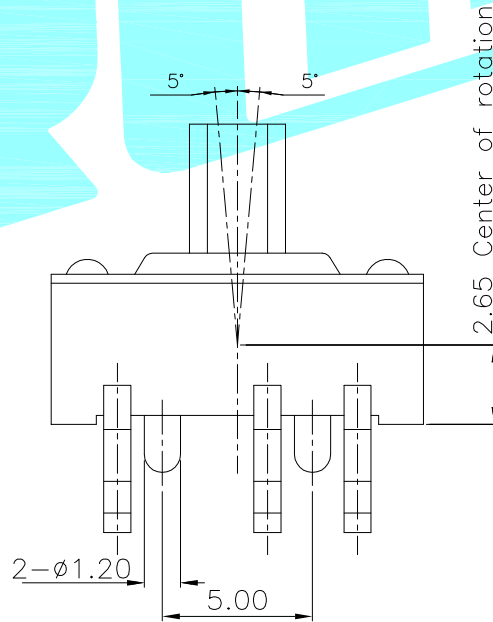
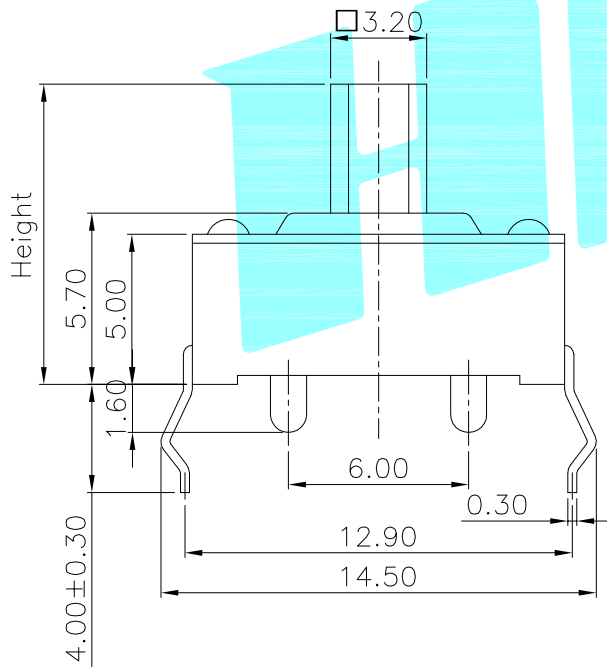
ROHS



Circuit Diagram (TOP VIEW)



PCB Layout(Pattern Side)



NOTE:
 Operating Force:
 4-direction 250 ± 70 gf
 center push 250 ± 70 gf
 Travel:4-direction $5^\circ \pm 2^\circ$
 center push 0.25 ± 0.1 mm

PART NO	Height
K1-1535DA-01	7
K1-1535DA-02	8
K1-1535DA-03	9
K1-1535DA-04	10
K1-1535DA-05	11

ITEM	PART NAME	TER'NO.	QTY.	MATERIAL	FINISHING	REMARK
⑦	Fixed cover	—	1	PA46	Black	Circular
⑥	Contact	—	5	SUS	—	Circular
⑤	Terminal	—	6	Brass(0.3t)	Plating silver	—
④	Base	—	1	PA46	Black	—
③	Cover	—	1	SUS	White	—
②	Axle sleeve	—	1	PA46	Black	—
①	KNOB	—	1	PA46	Black	—

APPROVALS		DATE		HROELECTRONICS CO.,LTD		
DRAWN	J.X.Zhang	2013/7/31		TITLE:	MULTIFUNCTIONAL SWITCHS	
CHECKED				PART NO.	K1-1535DA-□□	
APPROVALS				TOLERANCES ARE	ANGLE	UNIT: mm SCALE: 1:1 PROJ:
		30~以上	±0.30	±2'	DRAWING NO.	SHEET 1 OF 1
		10~30	±0.20			
		5~10	±0.15			
		~ 5	±0.10			

ECN NO.	REV.	DATE.	DESCRIPTION.	CHANGE.	CHECK.	APPRO.
	A		NEW			