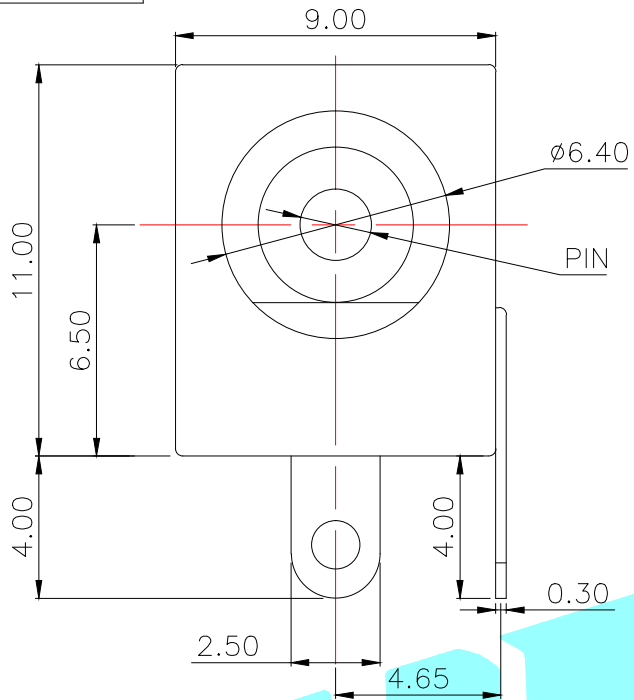
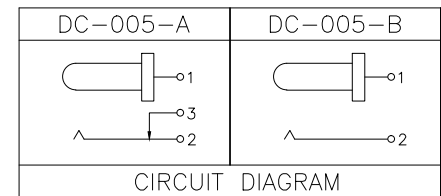
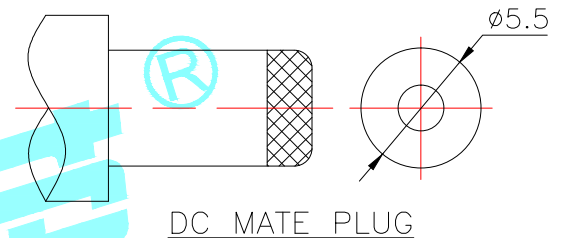
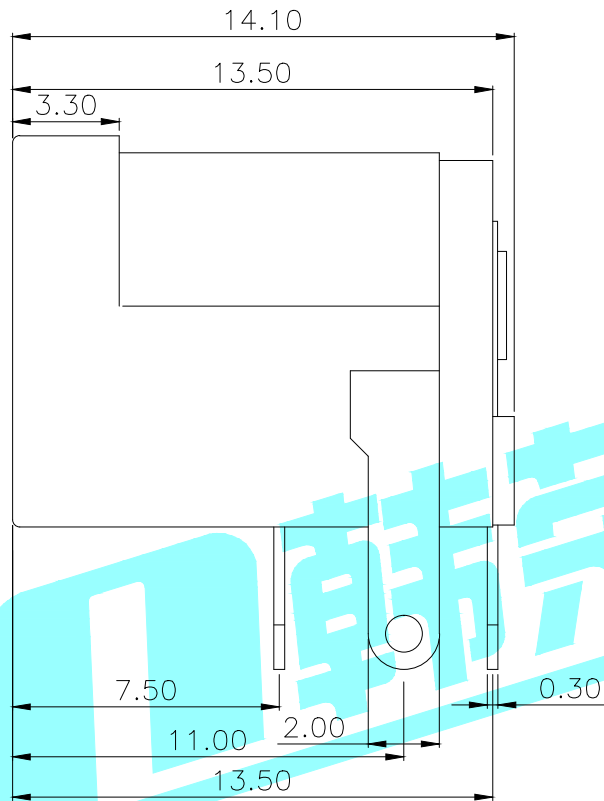
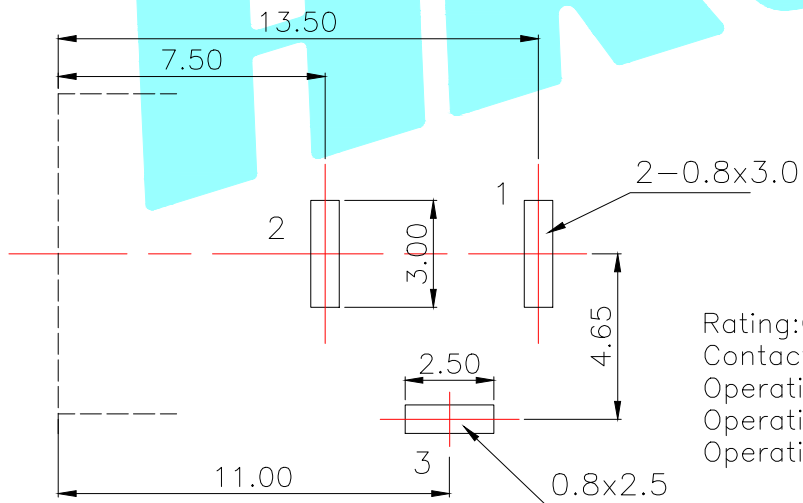


ROHS



P.C.B LAYOUT (Copper-side view)



Model No.	DC-005-20A	DC-005-25A
PIN	φ2.0	φ2.5

Rating: 0.5A 30V DC
 Contact Resistance: 100 mΩ Max.
 Operating temperature: -25°C ~ 80°C
 Operating force: 3-20N
 Operating Life: 5,000 cycles

②	Terminal	3	Phosphor bronze	Ag Plating		
①	Housing	1	Nylon	Black		
ITEM	PART NAME	TER'NO.	QTY.	MATERIAL	FINISHING	REMARK
APPROVALS			DATE	 ELECTRONICS CO., LTD		
DRAWN	J.X.Zhang	2013/11/11				
CHECKED						
APPROVALS				TITLE:	PHONE JACKES	
APPROVALS				PART NO.	DC-005	
TOLERANCES ARE		30~以上 ±0.30	10~30 ±0.20	ANGLE	UNIT: mm	SCALE: 1:1
		5~10 ±0.15	~ 5 ±0.10	±2'	DRAWING NO.	
ECN NO.	REV.	DATE.	DESCRIPTION.	CHANGE.	CHECK.	APPRO.

ECN NO.	REV.	DATE.	DESCRIPTION.	CHANGE.	CHECK.	APPRO.
	A		NEW			