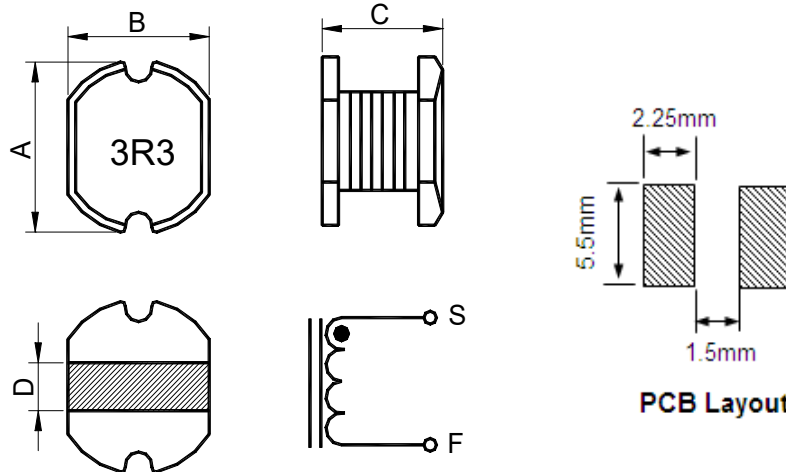


## SPECIFICATION FOR APPROVAL

CUSTOMER		CUST P/N.	
ITEM	SMD Power Inductors	Description	CD54N-3R3M
PART NO.	306-83849	DATE	2019.09.17

### (1) DIMENSION(UNIT:mm)



A	5.8 ± 0.5	mm
B	5.0 ± 0.5	mm
C	4.5 ± 0.5	mm
D	1.3±0.3	mm
E		mm
F		mm
G		mm
H		mm

### (2) ELECTRICAL REQUIREMENTS

TEST CONDITION	FREQUENCY	VOLTAGE	(3) TEST INSTRUMENTS		
			LCR-METER:		
L	3.3μH±20%	200KHz	0.25V	V	HP-4291A
				V	TH2816B
DCR	36.0mΩ (Max)	KHz	V	DC RESISTANCE METER:	
				V	WK3260B
Isat	4.0A (Max) at L drop 15%(TYP)	200KHz	0.25V	CURRENT SOURCE:	
				V	TH2816B+1320
Irms	4.5A (Max) at ΔT=40°C (TYP)	200KHz	0.25V	RFIMPEDANCE/MATERIAL ANALYZER	
				V	TH2816B+1320
		MHz	V	GW PUNCTURE INSULATION TESTER	
					HP-4291A

### (4) TURN:12.5Ts(REF)

### (5) MATERIAL LIST

ITEM	MATERIAL	DESCRIPTION	Supplier of the material	UL NO.
1	CORE	F4D DRT 5.8×4.5	FENGYIN ELECTRONICS CORP.	
2	WIRE	Ø0.37mm(2UEW-H) 180°C	HENG YA ELECTRIC LIMITED TAYA ELECTRIC WIRE FACTORY	E197768
3	SOLDER	Sn-Cu	DYFENCO ELECTRONIC CHEMICAL CORP.	
4	Ink	BLACK		

REMARK:	APPROVED	CHECKED	DRAWN BY
	姜杰文	姜法寶	王艷