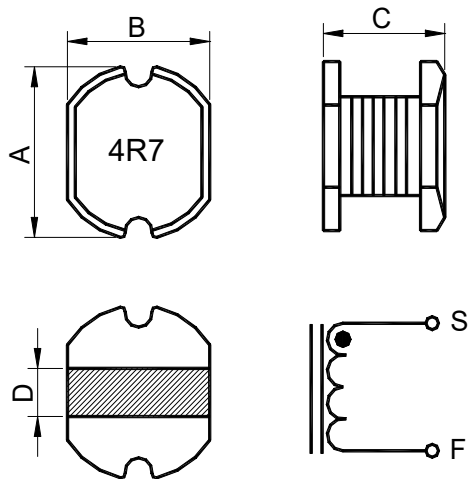


SPECIFICATION FOR APPROVAL

CUSTOMER		CUST P/N.	
ITEM	SMD Power Inductors	Description	CD32N-4R7M
PART NO.	306-38012	DATE	2013.08.26

(1) DIMENSION(UNIT:mm)



A	3.5 ± 0.5	mm
B	3.0 ± 0.5	mm
C	2.1 ± 0.5	mm
D	1.0 (REF)	mm
E		mm
F		mm
G		mm
H		mm

(2) ELECTRICAL REQUIREMENTS

TEST CONDITION	TEST VALUE	FREQUENCY	VOLTAGE	(3) TEST INSTRUMENTS	
				LCR-METER:	
L	4.7μH±20%	200KHz	0.25V	V	HP-4291A TH2816B+1320
DCR	0.135Ω(Max)	KHz	V	V	DC RESISTANCE METER: HP4263B
IDC	1.4A (Max)	200KHz	0.25V	V	CURRENT SOURCE: TH2816B+1320
		KHz	V		RFIMPEDANCE/MATERIAL ANALYZER HP-4291A
		MHz	V		GW PUNCTURE INSULATION TESTER HP-4291A

(4) TURN: 16TS(REF)

(5) MATERIAL LIST

ITEM	MATERIAL	SUPPLIER OF THE MATERIAL
1	CORE	R5A CDR3.5×2.1 (ST)
2	WIRE	Ø0.16mm(2UEW-H)
3		
4		

REMARK:	APPROVED	CHECKED	DRAWN BY
	<i>Simon</i>	辛海峰	童娟