



Application Note: SY6918

High Efficiency Bi-Direction Power Bank Regulator For Single-Cell Battery Power bank

Advanced Design Specification

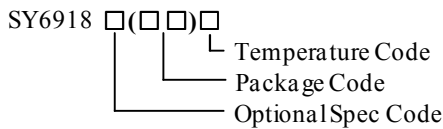
General Description

SY6918 is a 5V adapter input with up to 18V surge bi-directional regulator designed for single cell Li-Ion battery power bank application. Advanced bi-directional energy flow control with automatic input power source detection is adopted to achieve battery charging mode and battery power supply mode alternately.

SY6918 also integrated the KEY control and LED status indication.

SY6918 is available in QFN3x3 package to minimize the PCB layout size for wide portable applications.

Ordering Information



Ordering Number	Package type	Note
SY6918QDC	QFN3x3-16	

Features

- Maximum 18V input voltage surge
- Bad adapter detection
- Build in power path NFETs and Power Switches
- Trickle Current / Constant Current / Constant Voltage Charge Mode with internal compensation
- Maximum 2A Constant Charge Current
- Maximum 2.5A Boost output current
- 4.2V/4.35V selectable battery cell voltage
- +/-0.5% cell voltage accuracy
- Charge/discharge/fault status indicator
- Key controls logic
- Boost auto start when portable device inserts
- Boost auto shutdown with light load
- Adaptive input current limit
- Dynamic Power Management
- Cycle-by-Cycle peak current limitation
- Input Voltage UVLO and OVP
- Boost output Short Circuit Protection
- Thermal shutdown
- Compact package: QFN3x3-16

Applications

- 1-Cell Power Bank
- Portable Device with 1-Cell Battery

Typical Applications

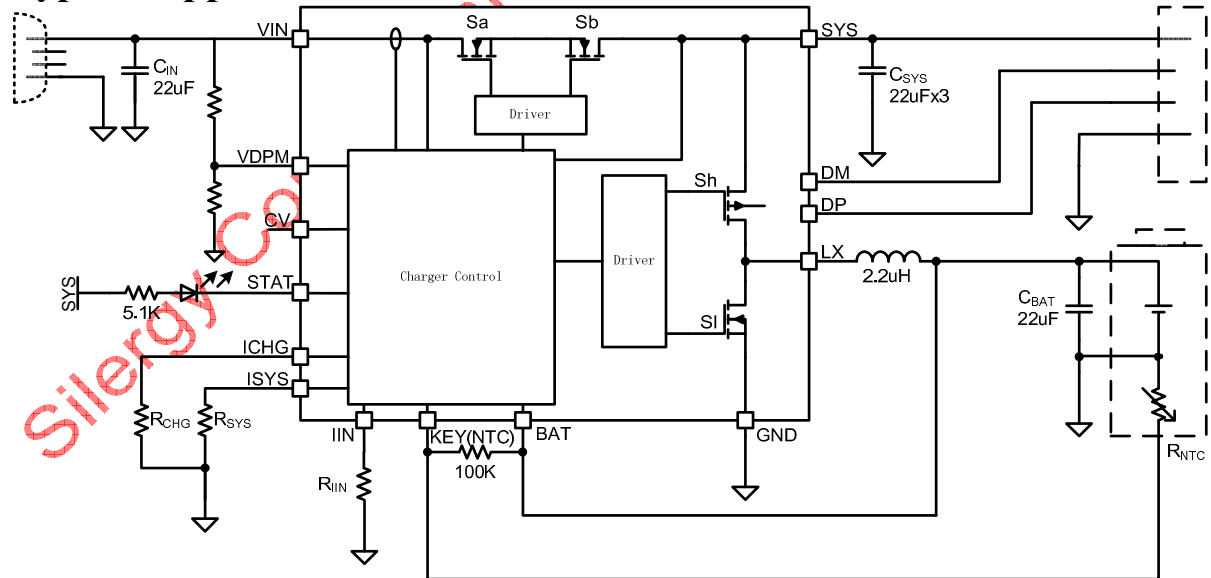
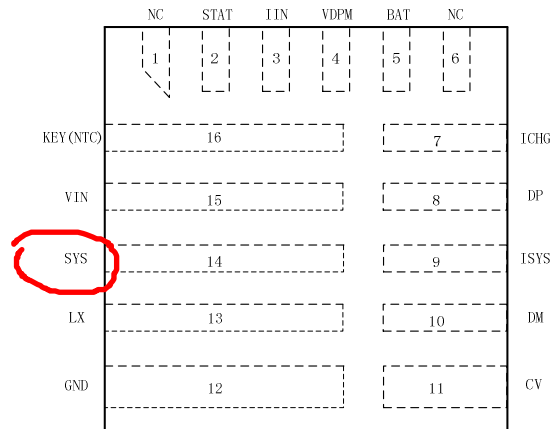


Figure 1. Schematic Diagram

Pinout (top view)


(QFN3x3-16)

 Top Mark: **BFL**xyz, (Device code: BFL, x=year code, y=week code, z=lot number code)

Name	No	Description
NC	1	Not connected.
STAT	2	Charge or discharge status indication pin. Open drain output. Pull high to SYS through a LED to indicate the charge or discharge in process. When the charge is done, LED is off. Pulling high to VIN only indicate the charge status.
IIN	3	Connect a resistor to set the input current limit in Buck mode.
VDPM	4	Voltage sense for input dynamic management. If the voltage drops to the internal 1.2V reference voltage, the VIN will be clamped to the setting value and the input current will be limited.
BAT	5	Battery voltage sense pin. Used as battery constant voltage control and battery voltage protections.
NC	6	Not connected.
ICHG	7	Connect a resistor to set charge current limit in Buck mode.
DP	8	D+/D- output for USB port connection. It supports BC1.2 handshaking, Apple and Samsung portable device.
DM	10	
ISYS	9	Connect a resistor to set SYS current limit in boost mode.
CV	11	Charge voltage selection pin. Open or pull low for 4.2V. Pull high for 4.35V
GND	12	Power ground.
LX	13	Switch node pin. Connect to external inductor.
SYS	14	System connection point. Add at least 2pcs of 22uF MLCC here.
VIN	15	Power input pin. Connect a MLCC from this pin to ground to decouple high harmonic noise. This pin has OVP and UVLO function to make the charger operate within safe input voltage area.
KEY	16	Press key and thermal sense input. Pull up to BAT with the resistor. Connect to the NTC to achieve battery thermal protection. Disable thermal protection without pull-down resistor



Absolute Maximum Ratings

VIN	-0.3-18V
LX, SYS, STAT, IIN, VDPM, CV, ICHG, ISYS, DP, DM, BAT, KEY	-0.3-6V
VIN Pin current continuous	2.5A
SYS Pin current continuous	3.5A
LX Pin current continuous	8A
Power Dissipation, Pd @ TA = 25°C, QFN3x3	2.1W
Package Thermal Resistance	
θJA	48°C/W
θJC	4°C/W
Junction Temperature Range	-40°C to +125°C
Lead Temperature (Soldering, 10 sec.)	260°C
Storage Temperature Range	-65°C to 125°C

Recommended Operating Conditions

VIN	0-5.5V
LX, SYS, STAT, IIN, VDPM, CV, ICHG, ISYS, DP, DM, BAT, KEY	0-5.5V
VIN Pin current continuous	2.0A
SYS Pin current continuous	2.5A
LX Pin current continuous	6A
Junction Temperature Range	-20°C to 100°C
Ambient Temperature Range	-40°C to 85°C



Electrical Characteristics

T_J=25°C, V_{IN}=5V, C_{IN}=10uF, C_{SYS}=44uF, L=2.2uH, unless otherwise specified.

Symbol	Parameter	Conditions	Min	Typ	Max	Unit
Bias Supply (V_{IN})						
V _{IN}	Input voltage operation range		4.5		5.35	V
V _{INOK}	Adapter OK voltage	Rising edge	4.35	4.5	4.65	V
ΔV _{INOK}	Adapter OK voltage hysteresis	Falling edge		200		mV
V _{OVP}	Input overvoltage protection	V _{IN} rising and measured from V _{IN} to GND		5.55		V
ΔV _{OVP}	Input overvoltage protection hysteresis	Measured from V _{IN} to GND		200		mV
V _{DPM}	Input voltage REF for adaptive input current limit			1.2		V
Quiescent Current						
I _{BAT}	Battery discharge current	Boost shutdown, V _{SYS} >V _{BAT} ×90%, V _{KEY} =V _{BAT}			20	uA
I _{IN}	Input quiescent current	Disable Charge			1.5	mA
Oscillator and PWM						
f _{OSC}	Oscillator frequency			500		kHz
Power MOSFET						
R _{HIGH}	R _{DS(ON)} of High side P-FET	R _{SH}		35		mΩ
R _{LOW}	R _{DS(ON)} of Low side N-FET	R _{SL}		20		mΩ
R _{PM}	R _{DS(ON)} of Power Path Management N-FET	R _{SA} +R _{SB}		80		mΩ
I _{CHG_MAX}	Peak current of switching FETs on Charge mode			4.5		A
I _{DIS_MAX}	Peak current of switching FETs on Discharge mode			8		A
Voltage Threshold and Regulation						
V _{CV}	Cell voltage tolerance	V _{CV} = 4.35V	-0.5		0.5	%
ΔV _{RCH}	CV hysteresis for Recharge	V _{CV} = 4.35V		100		mV
V _{SYS}	Discharge output voltage at SYS	V _{BAT} =3.7V	5.05	5.15	5.25	V
Current Regulation						
I _{CC}	Internal charge current accuracy for Constant Current Mode	I _{CC} =2A	-10		10	%
I _{TC}	Internal charge current for Trickle Current Mode	I _{CC} =2A		0.1		I _{CC}
I _{TERM}	Termination current	I _{CC} =2A		0.1		I _{CC}
I _{SYS_LL}	SYS current with light Boost load for Boost auto shutdown	V _{BAT} =3.7V, R _{SYS} =3K		60		mA
System and BAT OVP						
V _{SYS_OVP}	SYS voltage OVP threshold	Rising edge	103%	105%	107%	V _{SYS}
ΔV _{SYS_OVP}	SYS voltage OVP hysteresis	Falling edge		2%		V _{SYS}
V _{BAT_OVP}	BAT voltage OVP threshold	Rising edge	103%	105%	107%	V _{CV}
ΔV _{BAT_OVP}	BAT voltage OVP hysteresis	Falling edge		2%		V _{CV}
Battery Weak						
V _{DPL}	Battery depletion threshold	Falling edge		2.5		V
ΔV _{DPL}	Battery depletion hysteresis	Rising edge		300		mV
V _{TRK}	Battery trickle charge threshold	Falling edge		2.6		V
ΔV _{TRK}	Battery trickle charge hysteresis	Rising edge		200		mV



BAT Short Protection						
V _{SHORT}	Output short protection threshold	V _{BAT} falling edge		2.00		V
SYS Over Current Protection						
I _{SYSMAX}	SYS current limit on Boost mode	V _{BAT} =3.7V, R _{SYS} =3K		2.0		A
Timing						
T _{TC}	Trickle current charge timeout			2		hour
T _{OC}	ACOC deglitch time			600		us
T _{SYS LL}	SYS light load deglitch time			1		min
T _{KEY S}	Short KEY press time			500		ms
T _{KEY L}	Long KEY press time		1000			ms
Battery Thermal Protection						
V _{UTP}	UTP threshold	Rising edge	65.7%	67.7%	69.7%	V _{BAT}
	UTP hysteresis	Falling edge		3.5%		V _{BAT}
V _{OTP}	OTP threshold	Falling edge	29.9%	31.9%	33.9%	V _{BAT}
	OTP hysteresis	Rising edge		2%		V _{BAT}
V _{NTCHIGH}	High voltage to disable NTC function	Rising edge		90%		V _{BAT}
V _{KEY}	KEY active low voltage	Falling edge		0.35		V
Thermal Regulation and Thermal Shutdown						
T _{TSD}	Thermal shutdown threshold			150		°C
ΔT _{TSD}	Thermal shutdown hysteresis			30		°C

Note 1: Stresses beyond the “Absolute Maximum Ratings” may cause permanent damage to the device. These are stress ratings only. Functional operation of the device at these or any other conditions beyond those indicated in the operational sections of the specification is not implied. Exposure to absolute maximum rating conditions for extended periods may affect device reliability.

Note 2: θ_{JA} is measured in the natural convection at T_A = 25°C on a low effective four-layer thermal conductivity test board of JEDEC 51-3 thermal measurement standard.

Note 3: The device is not guaranteed to function outside its operating conditions.

General Function Description

SY6918 is a 4.5-5.35V V_{IN} up to 18V V_{IN} surge bi-directional regulator designed for single cell Li-Ion battery power bank application. Advanced bi-directional energy flow control with automatic input power source detection is adopted to achieve battery charging mode and battery power supply mode alternately. If the external power supply is present, SY6918 runs in battery charging mode with fully protection function. If the external power supply is absent, SY6918 runs in battery power supply mode with output current capability up to 2.5A.

SY6918 has integrated blocking switches to prevent current leaking from the system side or battery side to the input side. The high side switch protects the battery from high discharge current and short circuits at SYS point.

SY6918 also provides the KEY control and LED status indication.

Press Key Function

Press KEY low can control the Boost. The functions are listed in below table.

1 Short	50ms~1s, 1 time	Enable Boost
1 Long	>1s	Shutdown Boost

KEY pin is also used as battery NTC temperature sensing if the voltage is lower than 90% V_{BAT} . When KEY voltage is higher than V_{UTP} or lower than V_{OTP} (but higher than V_{KEY}), IC will shutdown charger and indicate the fault.

IC will not response to the KEY on action within 1S after the previous KEY off action.

LEDs Status Indication Description

Connecting a LED to STAT pin can indicate the charging status, discharging status and faults mode.

1. Charging Mode - When the adapter is present, SY6918 works in charging mode even the charging is done. In charging mode, the LED ON indicates the charging ongoing and the LED OFF indicates the charging done.
2. Discharging Mode - When the adapter is removed, and the Boost is enabled, IC works in discharging mode. In discharging mode, the LED ON indicates the discharging ongoing.

3. Fault Mode – When any fault (Input OVP, Battery OVP, SYS OVP, Battery short, NTC faults, thermal shutdown, timeout, SYS short) occurs, the LED flashes with 2Hz.

The detailed LED status description is as follows:

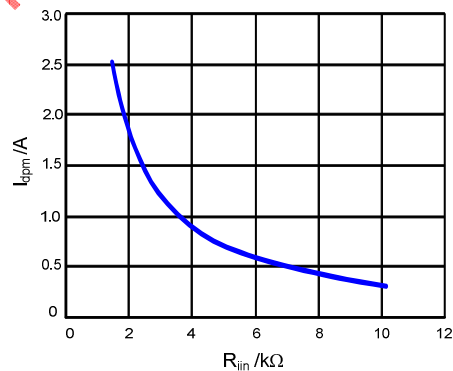
- Charging mode: STAT low
- Charging done: STAT high
- Discharging mode: STAT low
- Fault Mode: 2Hz flash.

Input Dynamic Power Management

SY6918 can management the input power limit very well. It has input VDPM and IDPM function to protect the input source from over-loaded.

The IC can set the input source power capability in charge mode. The minimum input voltage limit can be set by connecting a resistor divider from V_{IN} to VDPM pin. The maximum input current limit is determined by the resistor from IIN pin to GND.

The relationship between the input current limit and R_{IIN} is showed in below curve.

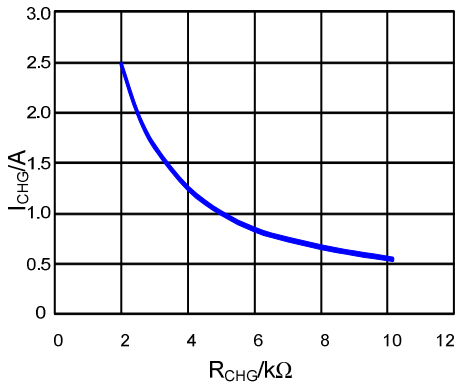


Test condition: $V_{IN}=5V$, $V_{BAT}=3.7V$

Charge Current Setting

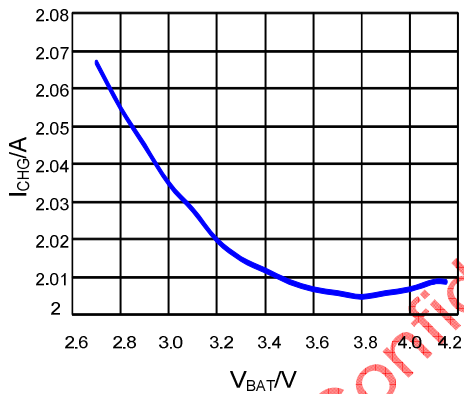
In the charging mode, SY6918 mirrors the current information to the ICHG pin and the charge current is determined by the resistance from the ICHG pin to GND.

The relationship between the charging current and R_{CHG} is showed in below curve.

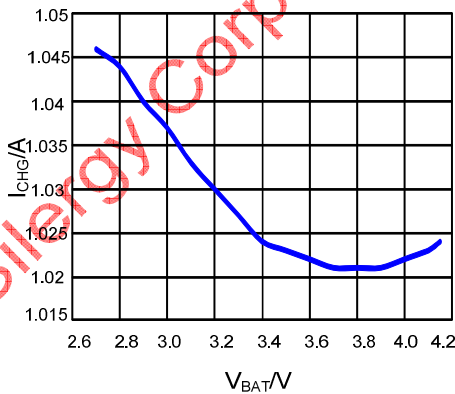


Test condition: $V_{IN}=5V, V_{BAT}=3.7V$

SY6918 has good I_{CHG} regulation performance even in wide V_{IN} and V_{BAT} range. The relationship between the charging current and V_{BAT} is showed in below curves.

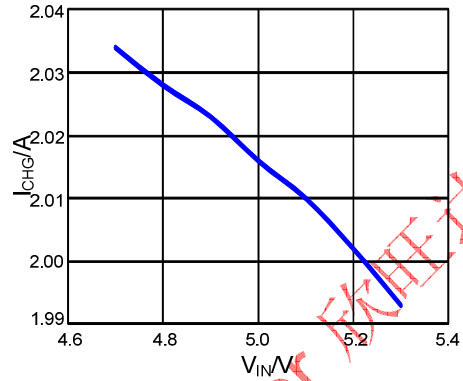


Test condition: $V_{IN}=5V, R_{CHG}=2.5K$

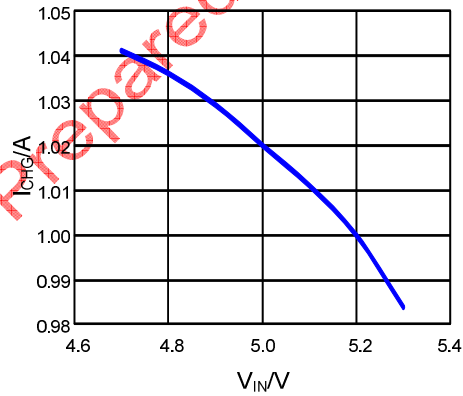


Test condition: $V_{IN}=5V, R_{CHG}=5K$

The relationship between the charging current and V_{IN} is showed in below curve.



Test condition: $V_{BAT}=3.7V, R_{CHG}=2.5K$

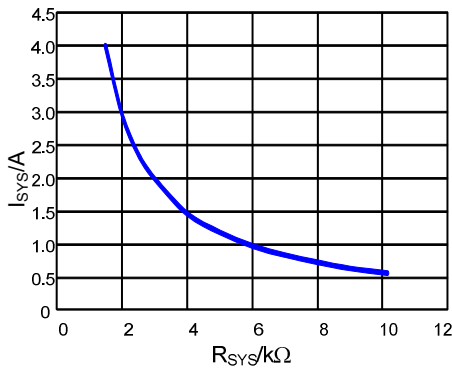


Test condition: $V_{BAT}=3.7V, R_{CHG}=5K$

SYS Current Limit Setting

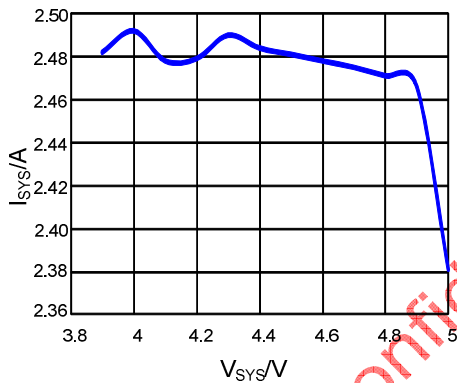
In discharge mode, SY6918 mirrors the current information to the ISYS pin and the discharge current limit is determined by the resistance from the ISYS pin to GND.

The relationship between the discharge current limit and R_{SYS} is showed in below curve.



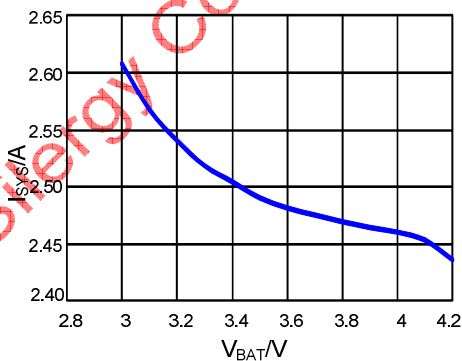
Test condition: $V_{BAT}=3.7V$, $V_{SYS}=4.7V$

SY6918 has good I_{SYS} regulation performance even in wide V_{SYS} and V_{BAT} range. The relationship between the discharge current limit and V_{SYS} is showed in below curves.



Test condition: $V_{BAT}=3.7V$, $R_{SYS}=2.25K$

The relationship between the discharge current limit and V_{BAT} is showed in below curve.



Test condition: $V_{SYS}=4.7V$, $R_{SYS}=2.25K$

Portable Device Insert Detection

When the portable device is removed from SYS connector, SY6918 will charge the SYS high with about 3uA current. The SYS voltage falling edge crossing 1.5V will enable the Boost again.

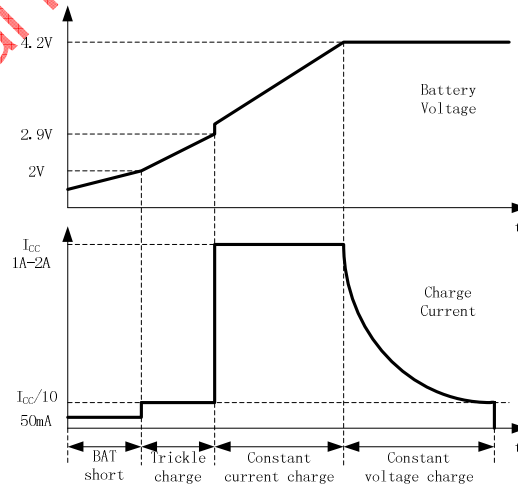
Lower than 3Mohm resistors connecting to SYS pin may lead SYS voltage can't be charged high than 1.5V. Suggest connecting no resistor at SYS pin.

The external resistor added between BAT and SYS pins can extend the 3uA source.

Buck Charger Basic Operation Description

SY6918 works as a synchronous Buck mode battery charger when the adapter is present. It utilizes 500KHz switching frequency to minimize the PCB design.

The charger will operates in battery short mode, trickle charge mode, constant current charge mode and constant voltage charge mode according to the battery voltage. The charge current in every mode is showed in below charge curve.



In charge mode, SY6918 has full protection to protect the IC and the battery.

Input Over Voltage Protection – SY6918 has both VIN and SYS over voltage protection. It will turn off blocking FETs and switching charger when input OVP occurs. IC will auto recover normal operation when fault removes.

BAT Over Voltage Protection – SY6918 will stop charging when BAT OVP occurs. IC will auto recover normal operation when fault removes.

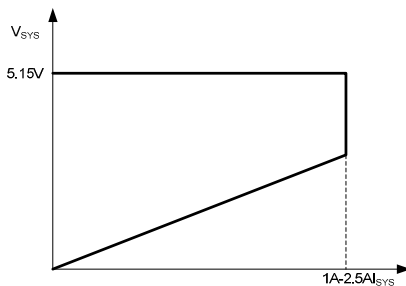
Timeout Protection – The charger can detect a bad battery. It will stop charge and latch off when the charger works over 2 hours in trickle mode. Only recycling the input can release this fault.

Input Over Current Protection – SY6918 has hiccup mode input over current protection. The threshold is 20% higher than the IDMP value.

Boost Mode Basic Operation Description

The battery can supply the portable device connecting to SYS pin when the adapter is removed. The converter works as a 500KHz synchronous Boost which can deliver up to 2.5A current to the load.

The Boost provides 5.15V for the portable device. It limits the output current as below curve. The current limited level is set by R_{ISYS} .



In Boost mode, SY6918 provides full protections for the portable device, the battery and itself.

SYS Over Voltage Protection – SY6918 will stop switching when SYS OVP occurs. IC will auto recover normal operation when fault removes.

BAT Depletion Protection – SY6918 will stop operation when BAT depletion occurs. IC will auto recover normal operation when fault removes.

Common Protection Description

SY6918 also provides some common protections to prevent all the related devices.

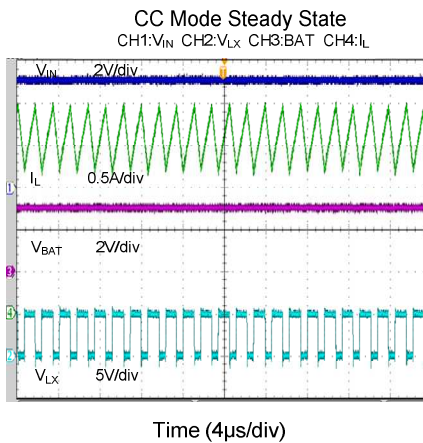
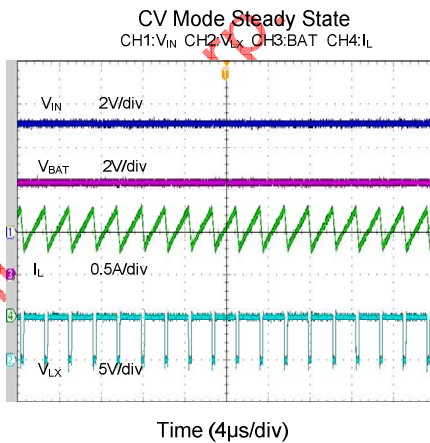
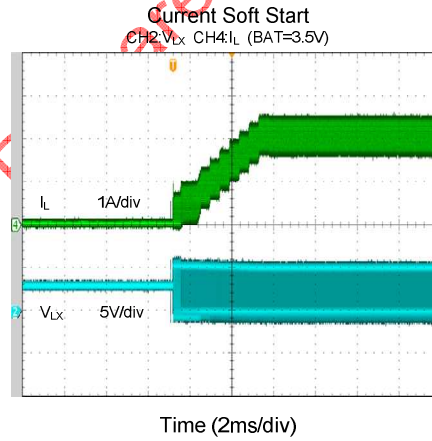
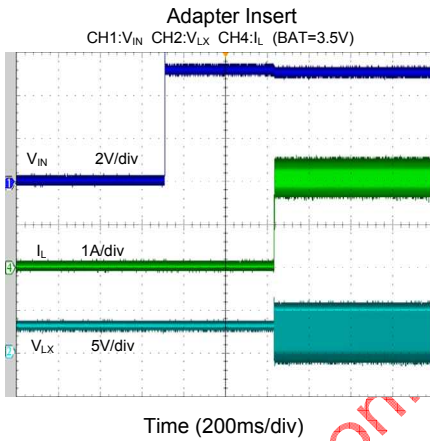
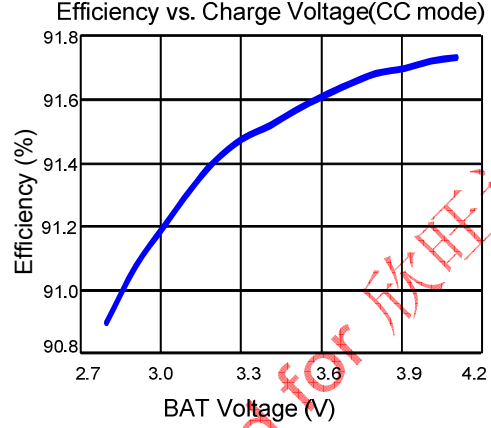
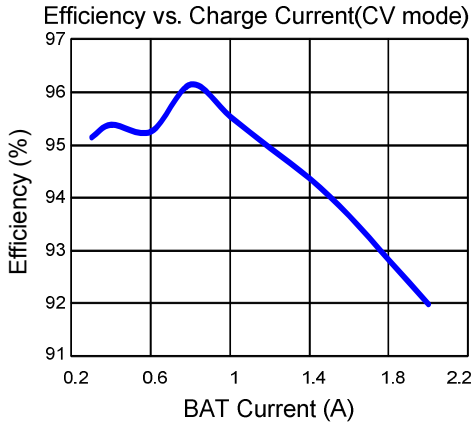
SYS short Protection – SY6918 will turn off blocking FETs and stop switching when SYS short occurs.

Battery Thermal Protection – When KEY voltage is lower than OTP threshold and higher than 0.35V or higher than UTP threshold and lower than 90%BAT, the converter will stop switching. IC will auto recovery when fault removes.

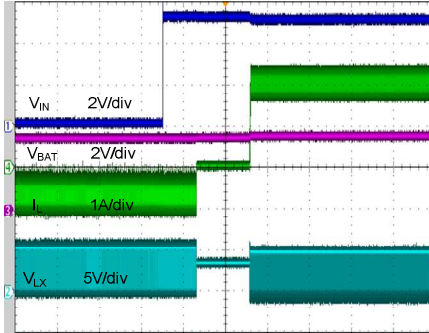
Thermal Shutdown Protection – The IC will stop operation when the junction temperature is higher than 150°C. It will auto recover normal when fault removes.

Typical Performance Characteristics

$T_A=25^{\circ}\text{C}$, $V_{IN}=5\text{V}$, $R_{CHG}=2.2\text{K}$, $R_{SYS}=2.75\text{K}$, 1cell battery, unless otherwise specified.

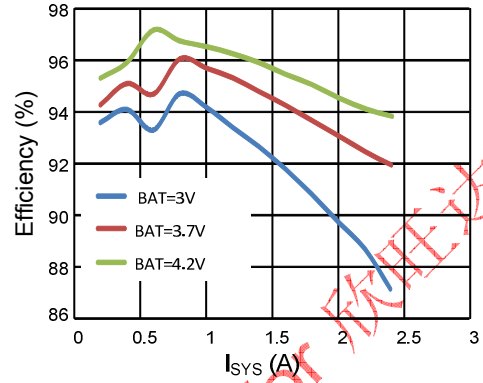


Boost To Buck Transition
CH1:V_{IN} CH2:V_{LX} CH3:V_{BAT} CH4:I_L

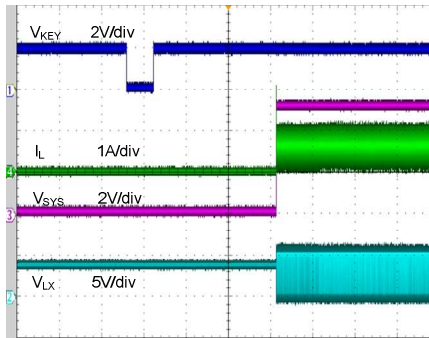


Time (200ms/div)

Efficiency vs. Discharge Current

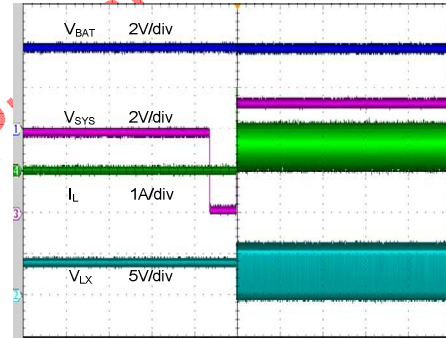


Press Key To Enable Boost
CH1:V_{KEY} CH2:V_{LX} CH3:V_{SYS} CH4:I_L



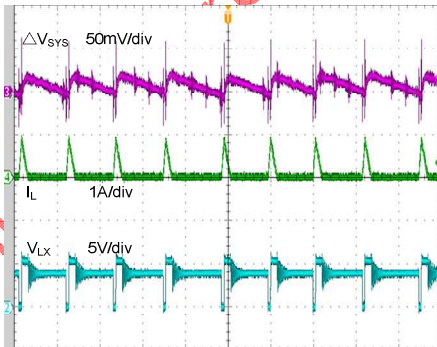
Time (400ms/div)

Load Insert To Enable Boost
CH1:V_{BAT} CH2:V_{LX} CH3:V_{SYS} CH4:I_L



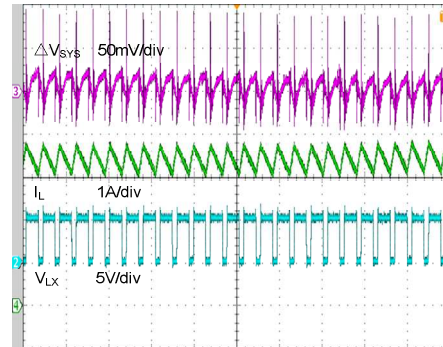
Time (400ms/div)

Boost Mode Steady State
CH2:V_{LX} CH3:ΔV_{SYS} CH4:I_L(I_{sys}=0.05A)



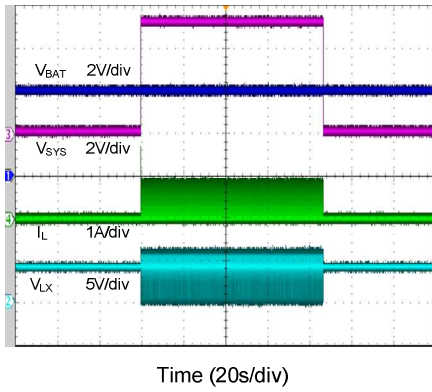
Time (10μs/div)

Boost Mode Steady State
CH2:V_{LX} CH3:ΔV_{SYS} CH4:I_L(I_{sys}=2A)



Time (4μs/div)

Boost Light Load Auto Shutdown
CH1:V_{BAT} CH2:V_{LX} CH3:V_{sys} CH4:I_L(I_{sys}=50mA)



Silergy Corp. Confidential Prepared for 欣旺达

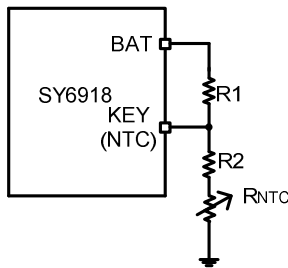
Applications Information

SY6918 is a very high integration IC for power bank application. The application circuits based on this regulator IC is rather simple. Only filter capacitors (C_{IN} , C_{BAT} and C_{SYS}), inductor L, NTC resistors R1, R2 and current setting resistors (R_{CHG} , R_{SYS}) need to be selected for the targeted applications specifications.

NTC resistor:

SY6918 monitors battery temperature by measuring the input voltage and NTC voltage. The controller triggers the UTP or OTP when the rate K ($K = V_{NTC}/V_{BAT}$) reaches the threshold of UTP (K_{UT}) or OTP (K_{OT}). The temperature sensing network is showed as below.

Choose R1 and R2 to program the proper UTP and OTP points.



The calculation steps are:

1. Define K_{UT} , $K_{UT} = 65.7\sim 69.7\%$
2. Define K_{OT} , $K_{OT} = 29.9\sim 33.9\%$
3. Assume the resistance of the battery NTC thermistor is R_{UT} at UTP threshold and R_{OT} at OTP threshold.
4. Calculate R2,

$$R2 = \frac{K_{OT}(1 - K_{UT})R_{UT} - K_{UT}(1 - K_{OT})R_{OT}}{K_{UT} - K_{OT}}$$

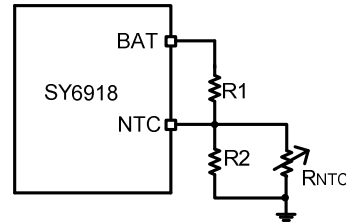
5. Calculate R1
 $R1 = (1/K_{OT} - 1)(R2 + R_{OT})$

If choose the typical values $K_{UT} = 67.7\%$ and $K_{OT} = 31.9\%$, then

$$R2 = 0.288R_{UT} - 1.288R_{OT}$$

$$R1 = 2.135(R2 + R_{OT})$$

SY6918 accepts various NTC divider circuits. For below method, R1 and R2 can be calculated by below equations.



$$R2 = \frac{R_{OT}R_{UT}(K_{UT} - K_{OT})}{K_{OT}K_{UT}(R_{UT} - R_{OT}) + R_{UT}K_{OT} - R_{OT}K_{UT}}$$

$$R1 = \frac{R2R_{UT}(1 - K_{UT})}{K_{UT}(R2 + R_{UT})}$$

If choose the typical values $K_{UT} = 67.7\%$ and $K_{OT} = 31.9\%$, then

$$R2 = \frac{0.358R_{UT}R_{OT}}{0.103R_{UT} - 0.461R_{OT}}$$

$$R1 = \frac{0.477R2R_{UT}}{R_{UT} + R2}$$

Input capacitor C_{IN} :

X5R or X7R ceramic capacitors with greater than 22uF capacitance are recommended to handle this ripple current. The voltage rating of the output capacitor should be higher than 16V.

Output capacitor C_{BAT} :

The charger output capacitor is selected to handle the output ripple noise requirements. This ripple voltage is related to the capacitance and its equivalent series resistance (ESR). For the best performance, it is recommended to use X5R or better grade low ESR ceramic capacitor. The voltage rating of the output capacitor should be higher than 10V.

To design a smaller output ripple, greater than 22uF capacitance is recommended.

Output capacitor C_{SYS} :

The boost output capacitor is selected to handle the output ripple noise and out load transient requirements. For the best performance, it is recommended to use X5R or better grade low ESR ceramic capacitor. The voltage rating of the output capacitor should be higher than 10V.

To design a smaller output ripple and better transient performance, greater than 2pcs of 22uF capacitance is recommended for lower than 2A SYS current and

3pcs of 22uF capacitor is recommended for higher than 2A application.

Inductor L:

There are several considerations in choosing this inductor.

- 1) Choose the inductance to provide the desired ripple current. It is suggested to choose the ripple current to be about 40% of the average input current. The Boost inductor current is worse than the charger mode, so we choose the inductor based on Boost mode. The inductance is calculated as:

$$L = \left(\frac{V_{BAT}}{V_{SYS}} \right)^2 \frac{V_{SYS} - V_{BAT}}{I_{SYS} \cdot F_{SW} \cdot 40\%}$$

Where F_{SW} is the switching frequency and I_{CC} is the setting charge current.

The SY6918 is quite tolerant of different ripple current amplitude. Consequently, the final choice of inductance can be slightly off the calculation value without significantly impacting the performance.

Recommend the 2.2uH inductance in SY6918 applications.

- 2) The saturation current rating of the inductor must be selected to be greater than the peak inductor current under full load conditions.

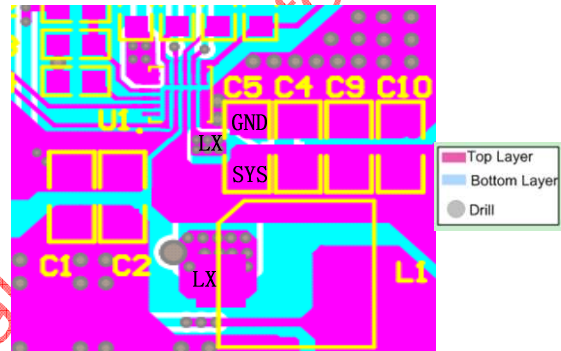
$$I_{SAT} > \frac{V_{SYS} \cdot I_{SYS}}{V_{BAT}} + \left(\frac{V_{BAT}}{V_{SYS}} \right)^2 \frac{V_{SYS} - V_{BAT}}{2 \cdot F_{SW} \cdot L}$$

- 3) The DCR of the inductor and the core loss at the switching frequency must be low enough to achieve the desired efficiency requirement. It is desirable to choose an inductor with $DCR < 10\text{mohm}$ to achieve a good overall efficiency.

Layout Design:

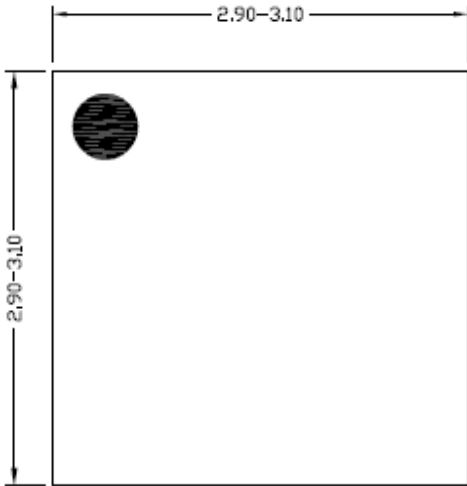
The layout design of SY6918 regulator is relatively simple. For the best efficiency and minimum noise problems, we should place the following components close to the IC: C_{IN} , L, C_{SYS} , especially C_{SYS} .

- 1) The loop of main MOSFET, rectifier MOSFET, and C_{SYS} must be as short as possible.

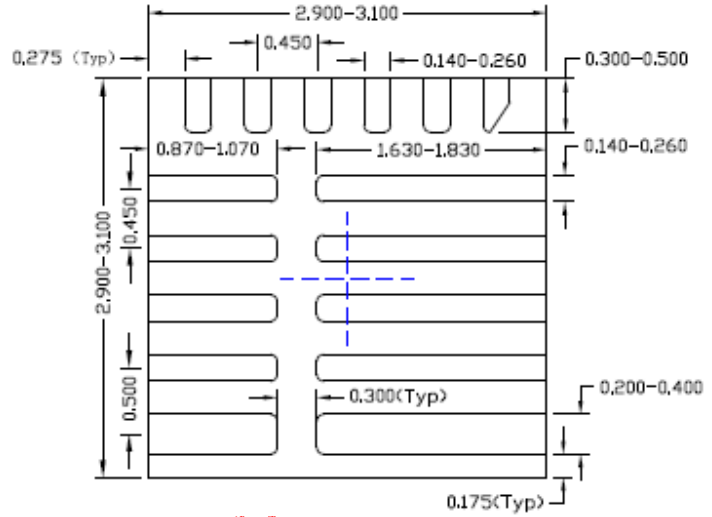


- 2) It is desirable to maximize the PCB copper area connecting to GND pin to achieve the best thermal and noise performance.
- 3) C_{IN} must be close to pin VIN and GND.
- 4) The PCB copper area associated with LX pin must be minimized to avoid the potential noise problem.
- 5) The small signal component R_{CHG} , R_{SYS} must be placed close to IC and must not be adjacent to the LX net on the PCB layout to avoid the noise problem.

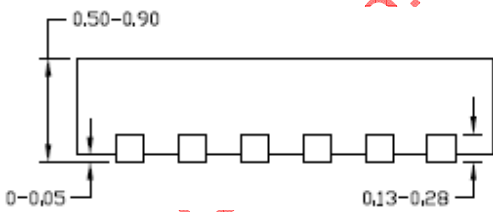
QFN3x3-16 Package Outline Drawing



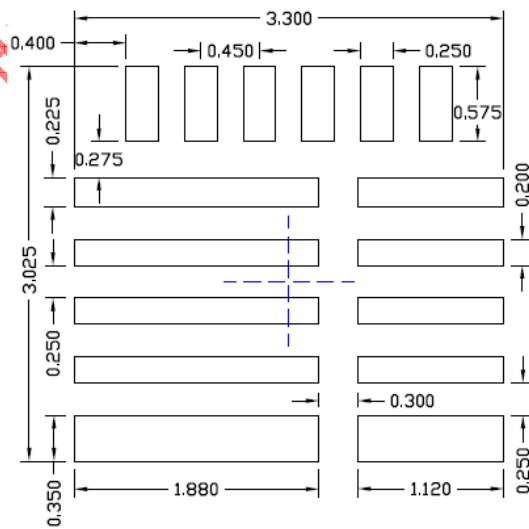
Top View



Bottom View



Side View



**Recommended PCB layout
(Reference Only)**

Notes: All dimension in MM and exclude mold flash & metal burr