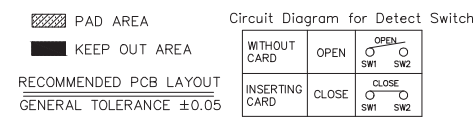
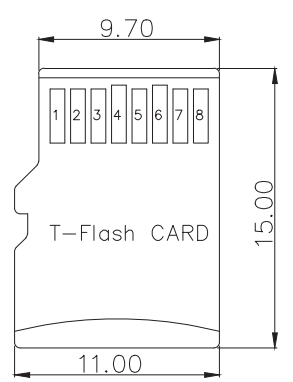
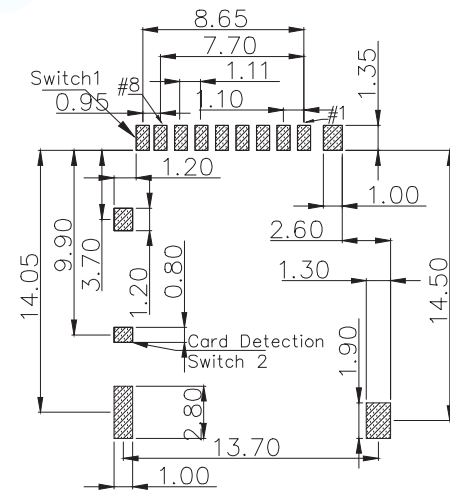
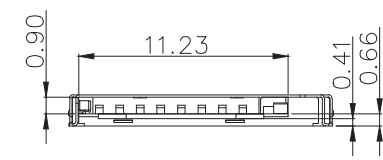
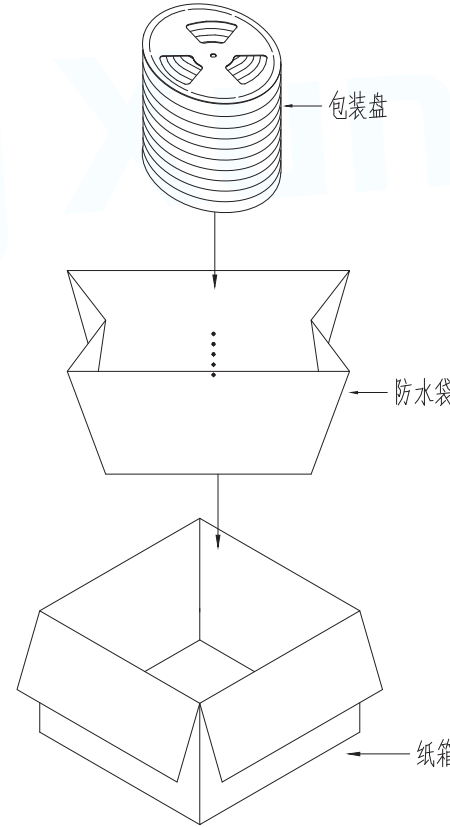
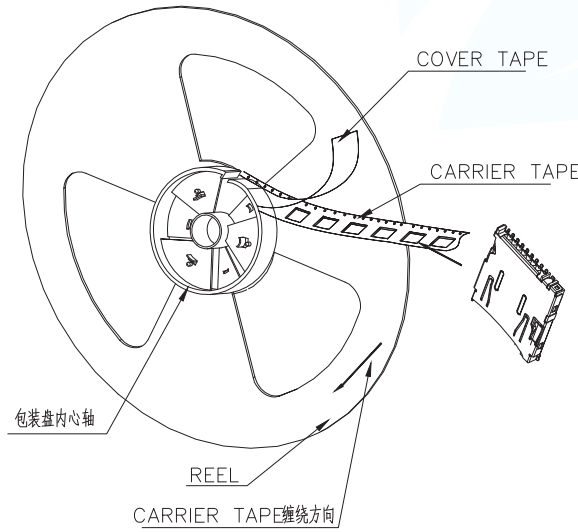
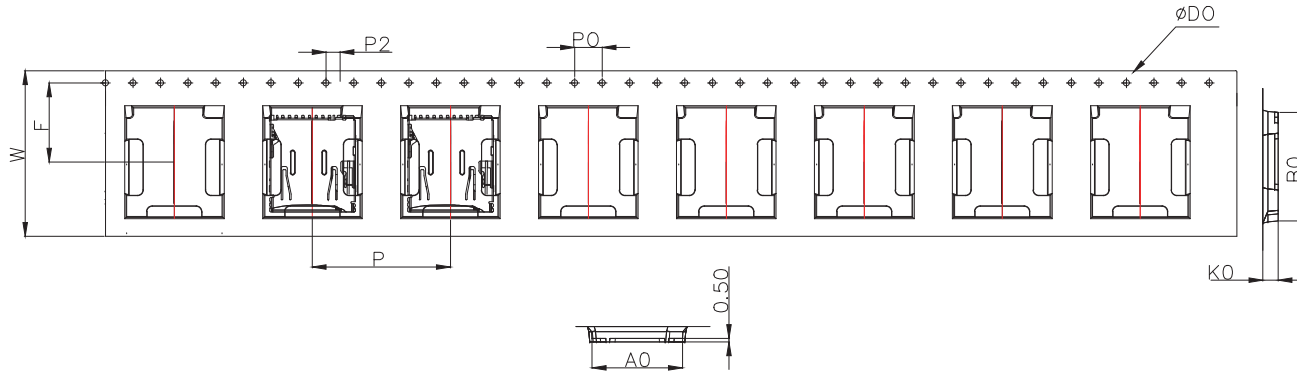


SPECIFICATION
 MATERIAL:
 INSULATOR: HIGH TEMPERATURE THERMOPLASTIC,UL 94V-0.
 CONTACT: COPPER ALLOY
 SHELL: SUS
 PLATING:
 CONTACT: PLATED 50U" NI ALL, OVER ALL AU 1U
 SHELL: PLATED 50U" NI OVERALL PLATED 1U"AU SELECTIVE CONTACT AREA
 ELECTRICAL:
 CURRENT RATING :0.5A.MAX
 VOLTAGE RATING :5V AC/DC
 AMBIENT TEMPERATURE RANGE :-25°C~+85°C
 STORAGE TEMPERATURE RANGE :-25°C~+85°C
 AMBIENT HUMIDITY RANGE :95% R.H. MAX.
 CONTACT RESISTANCE:100M MAX.
 INSULATION RESISTANCE:1000M MIN./500VDC
 REFLOW PEAK TEMP: 260°C
 MATING CYCLES:5,000 INSERTIONS



TF CARD PIN DEFINE			
PIN NO.	NAME	YTYPE	DESCRIPTION
1	DAT2	I/O/PP	DATE LINE(BIT2)
2	CD/DAT3	I/O/PP	CARD DETECT DATE LIN(BIT3)
3	CMD	PP	COMMAND RESPONSE
4	VDD	S	SUPPLY VOLTAGE
5	CLX	I	CLOCK
6	VSS	S	SUPPLY VOLTAGE GROUND
7	DATO	I/O/PP	DATE LINE(BIT0)
8	DAT1	I/O/PP	DATE LINE(DIT1)

MANUFACTURE DWG		东莞市讯普电子科技有限公司 DongGuan XunPu Electronics Co.,Ltd	
UNLESS OTHERWISE SPECIFIED TOLERANCES			TITLE: Micro SD Card Push Push and CD Pin H1.68
			PAR TF-111
DECIMALS:	ANGLES: ±1°		DWN
X.X: ±0.15			CHKD
X.XX: ±0.10		APVD	SCALE:1:1 UNIT: MM
X.XXX: ±0.05		CUSTOMER COPY	SIZE: A4 SHEET: 1F1 REV: A



- 一:
1. 将成品一一放入包装盘内, 依同一方向放入
 2. 包装时, 如图所示.
 3. 一个包装然放置1000个成品
- 二:
1. 一只纸箱可放置5个包装盘
 2. 一只纸箱可放5000PCS的成品
 3. 将成品放入包装盘内包装完后再装箱

产品单重: 0.70g
 每盘单重: 920g
 纸箱规格: 350*350*165

MANUFACTURE DWG		东莞市讯普电子科技有限公司 DongGuan XunPu Electronics Co.,Ltd	
UNLESS OTHERWISE SPECIFIED TOLERANCES		TITLE: Micro SD Card Push Push and CD Pin H1.68 包装 PAR TF-111	
DECIMALS:	ANGLES: ±1°	DWN	
X.X: ±0.15		CHKD	
X.XX: ±0.10		APVD	
X.XXX: ±0.05		SCALE: 1:1	UNIT: MM
		CUSTOMER COPY	SIZE: A4
			SHEET: 1F1
			REV: A