

MATERIAL:

INSULATOR: HIGH TEMPERATURE THERMOPLASTIC, UL 94V-0  
 CONTACT: COPPER ALLOY  
 SHELL: SUS

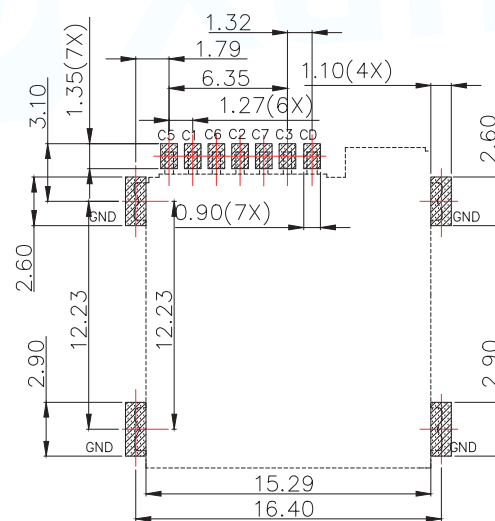
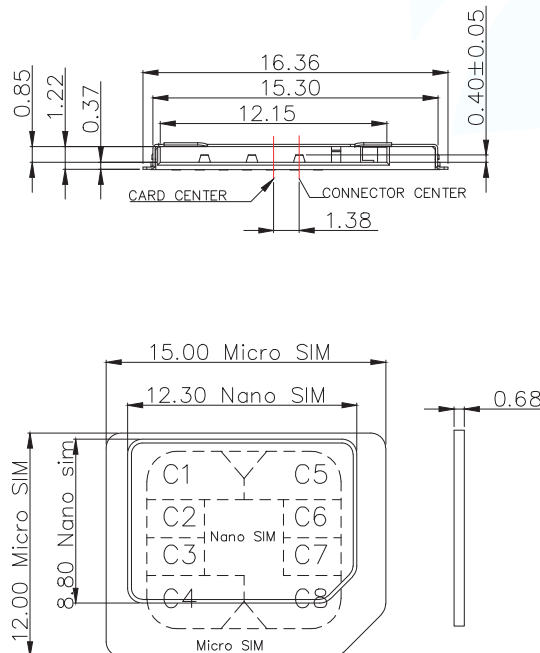
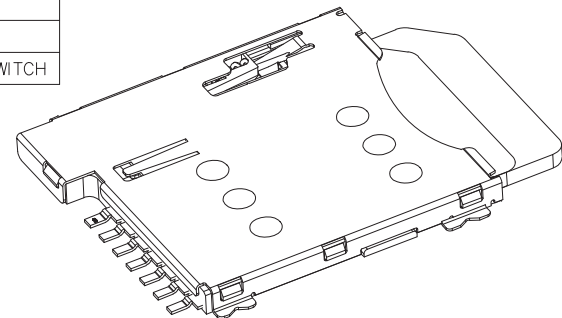
PLATING:

CONTACT: PLATED 50U" NI OVER ALL CONTACT AU 1U  
 SHELL: PLATED 50U" NI OVERALL  
 PLATED 1U" AU SELECTIVE CONTACT AREA

ELECTRICAL:

CURRENT RATING: 0.5AMPS MAX  
 VOLTAGE RATING: 5V AC/DC  
 AMBIENT TEMPERATURE RANGE: -40 ~ +85 °C  
 STORAGE TEMPERATURE RANGE: -40 ~ +85 °C  
 AMBIENT HUMIDITY RANGE: 95% R.H. MAX.  
 CONTACT RESISTANCE: 100M MAX.Ω  
 INSULATION RESISTANCE: 1000M MIN./500VDCΩ  
 REFLOW PEAK TEMP: 260°C  
 MATING CYCLES: 5000MIN INSERTIONS

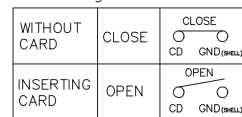
MICRO SIM CARD	
Pin No.	NAME
C1	VCC OF SIM
C2	RST OF SIM
C3	CLK OF SIM
C5	GND OF SIM
C6	VPP OF SIM
C7	I/O OF SIM
C4/C8	N/A
CD	DETECTION SWITCH



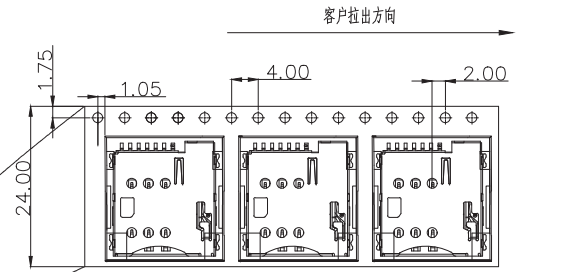
▨ PAD AREA  
 ■ KEEP OUT AREA

RECOMMENDED PCB LAYOUT  
 GENERAL TOLERANCE ±0.05

Circuit Diagram for Detect Switch

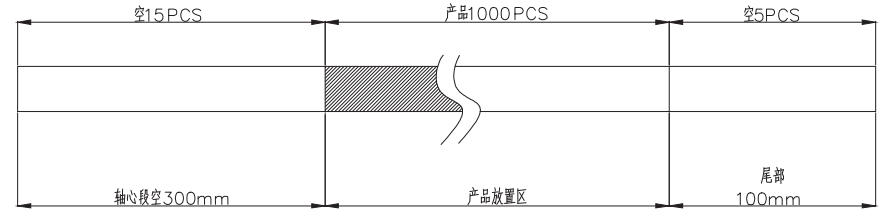


MANUFACTURE DWG		东莞市讯普电子科技有限公司 DongGuan XunPu Electronics Co., Ltd	
UNLESS OTHERWISE SPECIFIED TOLERANCES			TITLE: MICRO SIM CARD PUSH PUSH 6+1PIN H1.35
			PAR SMC-202-7
DECIMALS:	ANGLES: ±1°		DWN
X.X: ±0.15			CHKD
X.XX: ±0.10		APVD	
X.XXX: ±0.05		SCALE: 1:1	UNIT: MM
CUSTOMER COPY		SIZE: A4	SHEET: 1F1
			REV: A

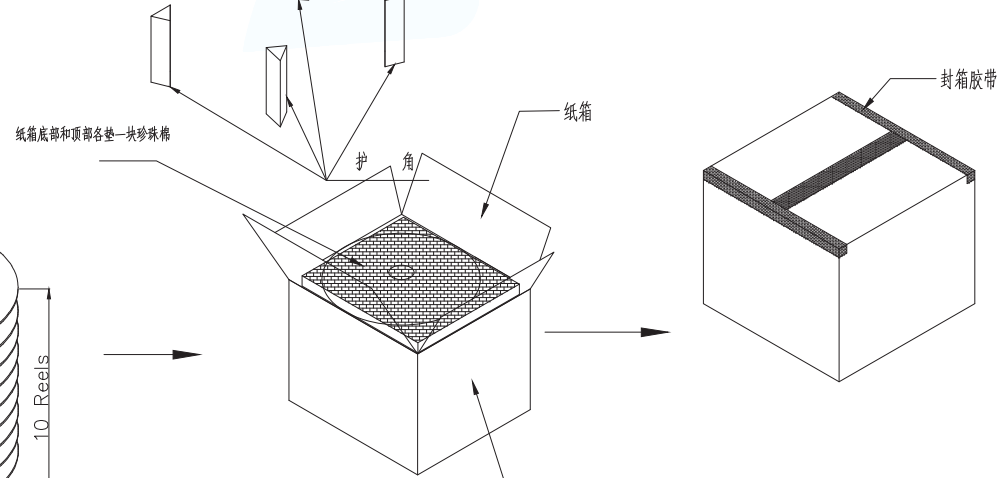
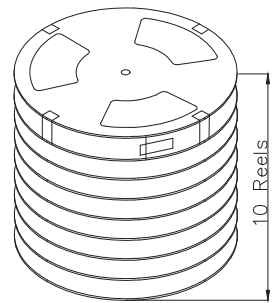
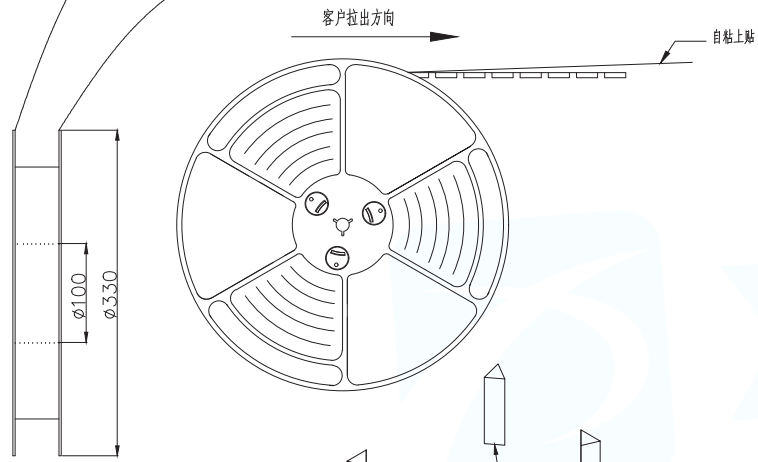


NOTES

1. 每卷包装数量: 1000PCS/每卷
2. 卷带包装方式:



3. 每箱包装数量: 10000PCS/箱
4. 纸箱350mm\*350mm\*440mm(内部尺寸), 材质K=K



将10卷产品放入箱内

MANUFACTURE DWG		 东莞市讯普电子科技有限公司 DongGuan XunPu Electronics Co.,Ltd	
UNLESS OTHERWISE SPECIFIED TOLERANCES		TITLE: MICRO SIM CARD PUSH PUSH 7PIN H1.35 包装图 PAR SMC-202-7 DWN CHKD APVD	
DECIMALS:	ANGLES: ±1°	SCALE1:1 UNIT: MM	
X.X: ±0.15		SIZE: A4	REV: A
X.XX: ±0.10		SHEET: 1F1	
X.XXX: ±0.05		CUSTOMER COPY	

