

Headphone Driver IC

DESCRIPTION

HT1308A is a Class AB stereo headphone driver chip utilizing CMOS Technology specially designed for portable digital audio applications. It is housed in an 8-pin DIP or SOP package and is functionally compatible with TDA1308. Pin assignments and application circuit are optimized for lower cost effectiveness and easy PCB Layout.

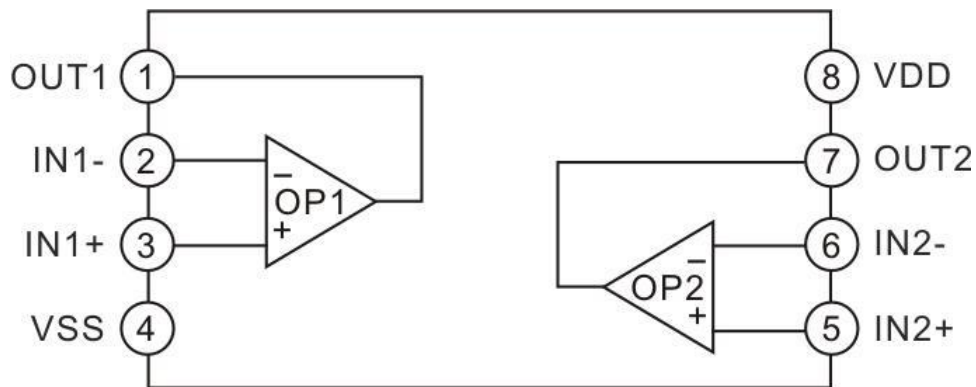
FEATURES

- CMOS technology
- Low power consumption
- Wide temperature range
- Excellent power supply ripple rejection
- High signal-to-noise ratio, S/N=110dB
- Low harmonic distortion, THD=0.001%
- Large output voltage swing

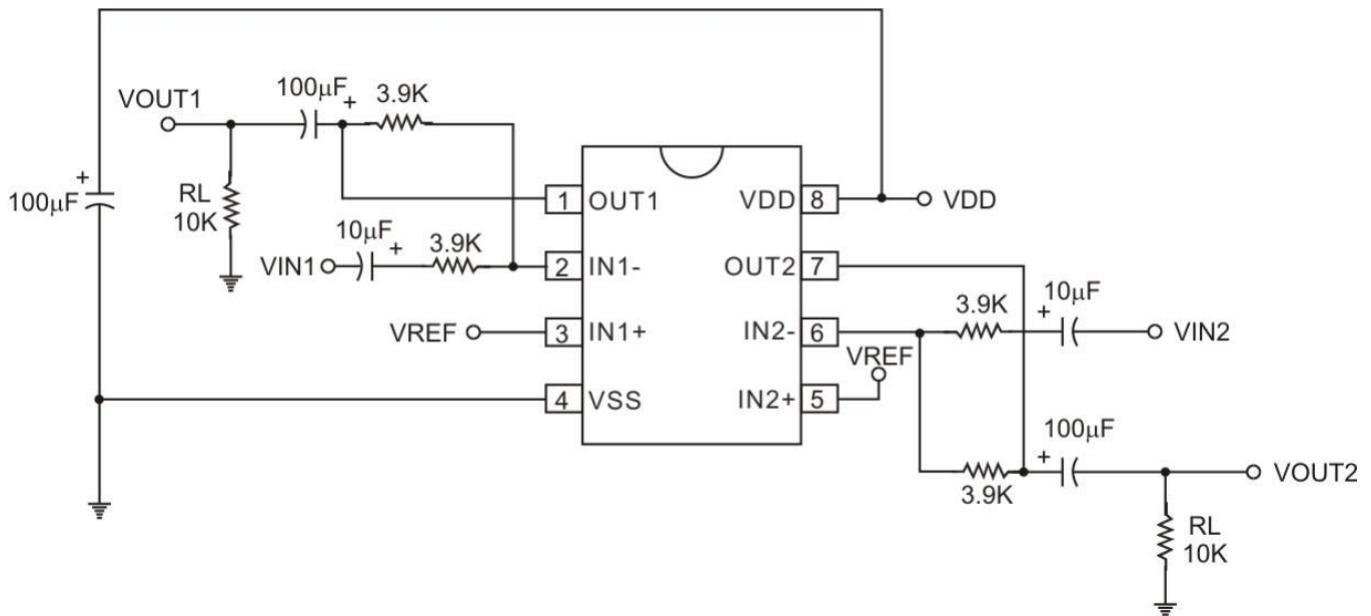
APPLICATIONS

- Portable digital audio
- Hi-fi audio system
- Walkman
- CD-ROM

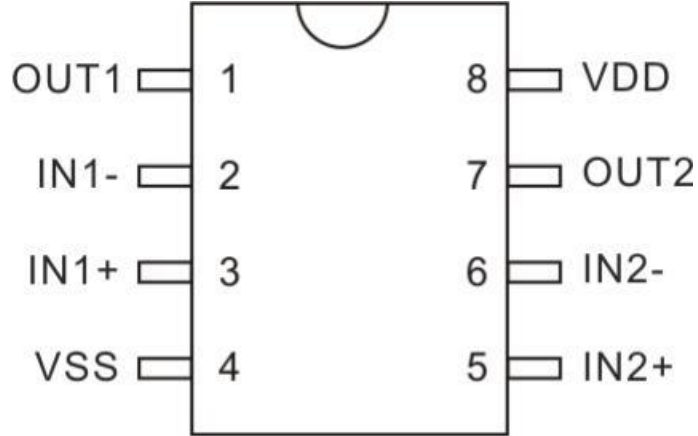
BLOCK DIAGRAM



APPLICATION CIRCUIT



PIN CONFIGURATION



PIN DESCRIPTION

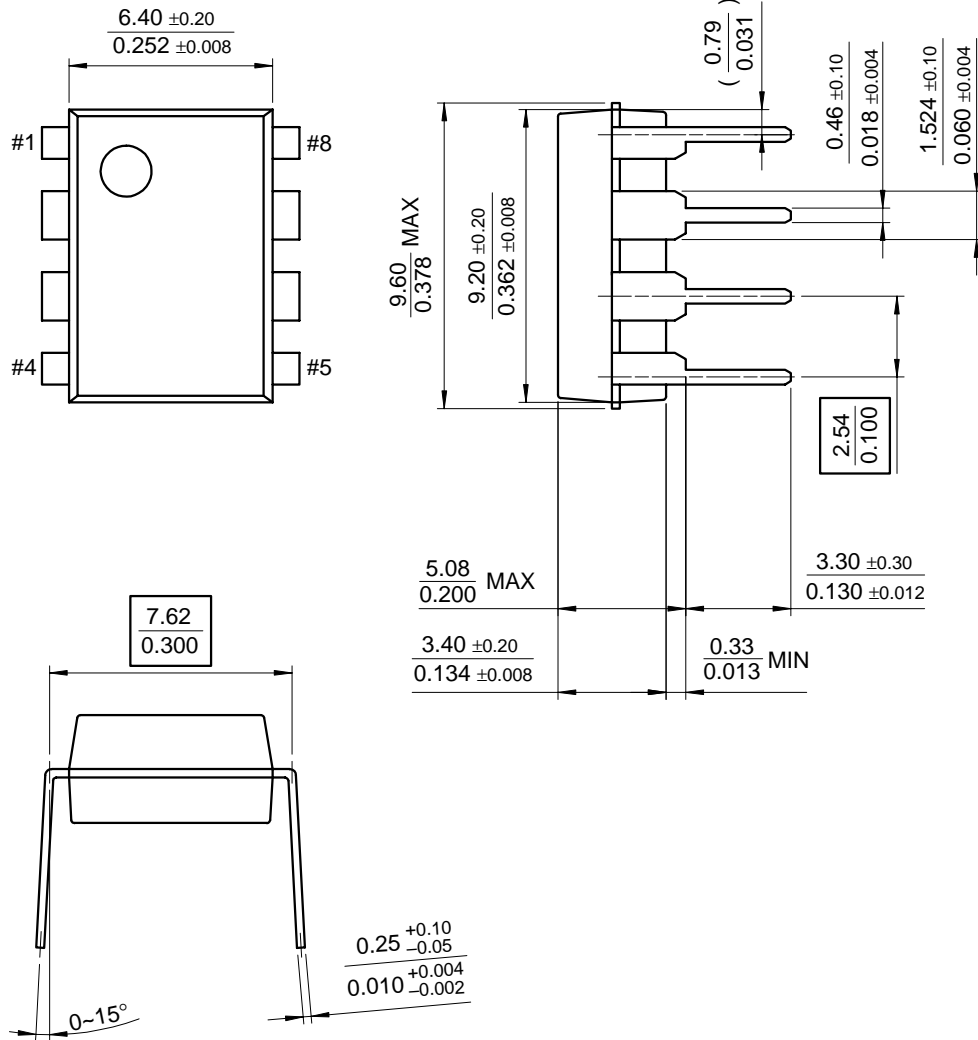
Symbol	I/O	Description	Pin No.
OUT1	O	Output pin 1	1
IN1-	I	Inverting input pin 1	2
IN1+	I	Non-inverting input pin 1	3
VSS	-	Negative power supply	4
IN2+	I	Non-inverting input pin 2	5
IN2-	I	Inverting input pin 2	6
OUT2	O	Output pin 2	7
VDD	-	Positive power supply	8

Mechanical Dimensions

Package

Dimensions in millimeters

8-DIP



Mechanical Dimensions (Continued)

Package

Dimensions in millimeters

8-SOP

