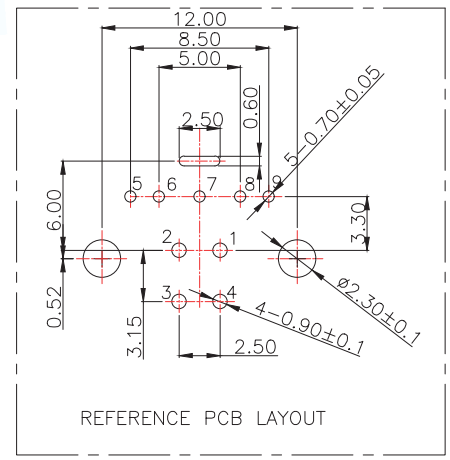


SPECIFICATIONS:
 Contact current Rating:
 1.8 Amperes for pin1&pin4.
 0.25 Amperes other contacts
 Dielectric Withstanding Voltage:AC 100V(RMS)
 Insulation resistance:100Megohms Minimum.
 Contact Resistance:
 30mΩ Max for pin1&pin4
 50mΩ Max for other contacts
 Mechanical Characteristics:
 Mating Force:35 Newtons.Maximum
 Unmating Force:10 Newtons.Mlminimum.
 8N Min After Durability

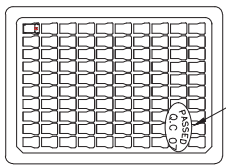
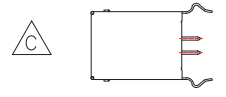
MATERIAL:
 Housing: PBT+30%GF 94V-0 COLOR:SEE TABLE
 Contact: copper alloy(T=0.25mm)
 Shell: SEE TABLE
PLATING:
 Contact: Au Plated(SEE TABLE) on contact area
 Tin Plated on solder area
 Nickel underplating over all
 Shell: Nickel Plated
 operating Temperature:-55°to+85°



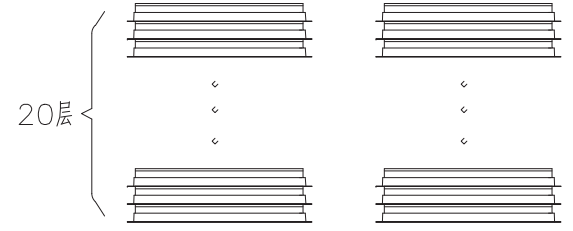
Pin Number	Signal Name	Pin Number	Signal Name
1	VBUS	5	StdB_SSTX-
2	D-	6	StdB_SSTX+
3	D+	7	GND_DRAIN
4	GND	8	StdB_SSRX-
Shell	Shield	9	StdB_SSRX+

MANUFACTURE DWG			东莞市讯普电子科技有限公司 DongGuan XunPu Electronics Co.,Ltd	
UNLESS OTHERWISE SPECIFIED TOLERANCES			TITLE: USB 3.0 BF 180° DIP	
DECIMALS:	ANGLES:	CUSTOMER COPY	PAR	USB-305BLD-ARW
.X:±0.30	.X':±3°		DWN	
.XX:±0.20	.XX':±2°		CHKD	
.XXX:±0.10			APVD	
		SCALE:1:1	UNIT:MM	
		SIZE:A4	SHEET:1F1	REV:A

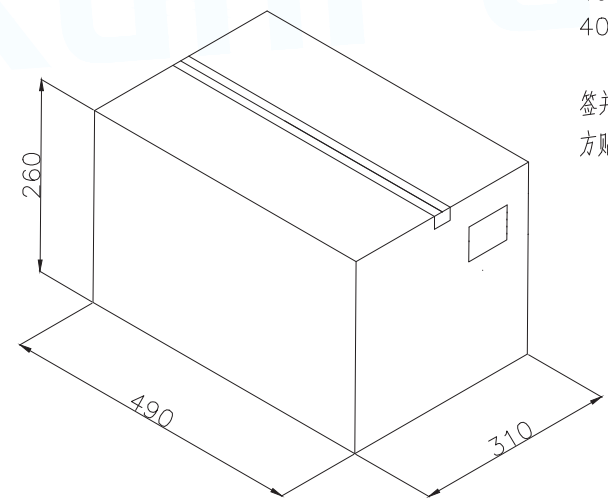
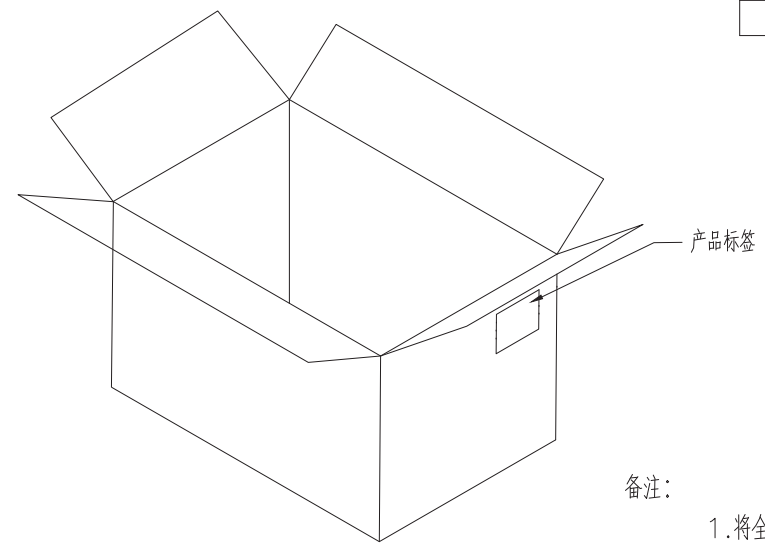
12	13	14	15
MAPX	MODIFICATION	DATE	DRAW



每盒100PCS.打四个订.




一排20盒,二排40盒为一箱



备注:

1. 将全检后的良品如图示摆入规格为298*220的PVC透明吸塑盒中,每盒包装100PCS,打四个订.摆好后盖好上盖,并在右上方贴上QC标签.
2. 将装好产品的吸塑盒分两排放入规格为490*310*260mm的纸箱中,每排20盒每箱放40盒,每箱装4000PCS.
3. 装好后用封胶纸将纸箱封好,并在纸箱右上角贴上下箱标签并注明品名/规格/数量/生产日期/检验员等.然后在外箱标签下方贴上环保标签及印上合格章.
4. 客户有特殊要求时按客户要求.
5. 月份标签按月份标签粘贴作业规范进行.

MANUFACTURE DWG		 东莞市讯普电子科技有限公司 DongGuan XunPu Electronics Co.,Ltd	
UNLESS OTHERWISE SPECIFIED TOLERANCES			TITLE: USB 3.0 BF 180° DIP 缺
DECIMALS:	ANGLES:		PAR USB-305BLD-ARW
.X:±0.30	.X':±3°		DWN
.XX:±0.20	.XX':±2°		CHKD
.XXX:±0.10		APVD	SCALE:1:1 UNIT:MM
		CUSTOMER COPY	SIZE:A4 SHEET:1F1 REV:A