

REVISION RECORD				
REV	ECN	DESCRIPTION	DRFT	DATE

NOTES1:

- UL Standard  
 1.Rated voltage/current : 150V / 6A  
 2.Torque value : M1.6 , 1.29Lb.in  
 3.Wire range : 26~18AWG

IEC Standard

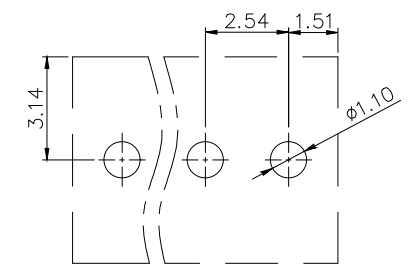
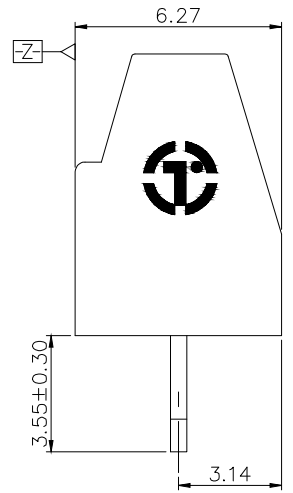
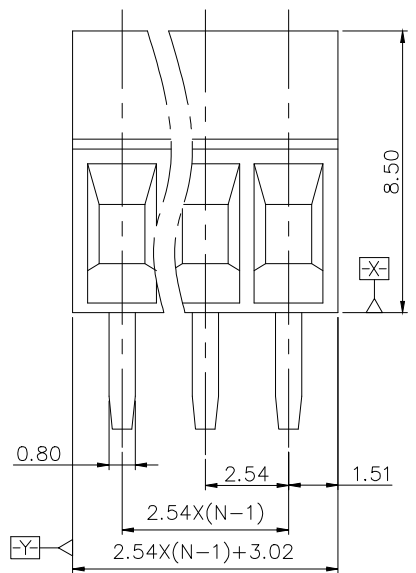
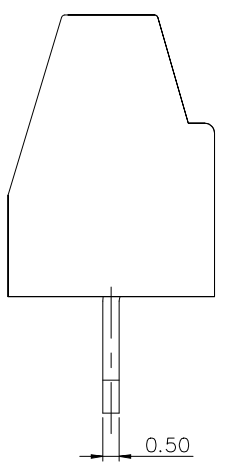
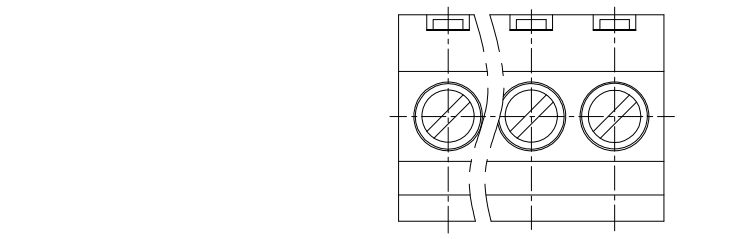
- 1.Rated voltage/current : 130V / 8A  
 2.Torque value : M1.6 , 0.15N·m  
 3.Wire range : 0.5~1.0mm<sup>2</sup>

NOTES2:

- 1.Dimension shall be interpreted per ASME Y14.5-2009  
 2.Pitch : 2.54mm, Poles : N=02-12P  
 3.Stripping length : 4~5mm  
 4.Withstanding voltage : AC1250V/1Min  
 5.Operating temperature: -40°C~+105°C  
 6.Undimensioned tolerances:

Pitch range in mm		Nominal dimension range in mm				—	⌒	▯
TO 6	Over 6 TO 10	Over 10 TO 24	TO 30	Over 30 TO 60	Over 60 TO 100	Over 100 TO 150	0.1/10	≤
±0.15	±0.20	±0.30	±0.30	±0.50	±0.70	±1.00	±1.30	±2'

7.RoHS Compliance



P.C.B. LAYOUT

**TY308 - 2.54 - XXP - 1Y - 00A (H)**  
 (Series No.)(Pitch) (Poles) (Single Pitch) (Color): 1.(Grey)2.(Blue)3.(Black)4.(Green)5.(Orange)6.(Red)7.(Transparent)8.(Yellow)9.(White)  
 (RoHS)  
 00A-(Standard)

DETACHED LISTS	PART NO.: /	拓宜 (上海) 工控电器设备有限公司		
	APPD:	NAME: TY308-2.54-XXP-1Y-00A(H)		
	CHKD:	TITLE: CUSTOMER DRAWING		
	DRFT: YXX 2018/07/13	REV	DO	
THIRD ANGLE PROJECTION		DRAWING NO.: /	SHEET	1/1
		MM (INCH)	DO NOT SCALE DRAWING	SCALE 1:1