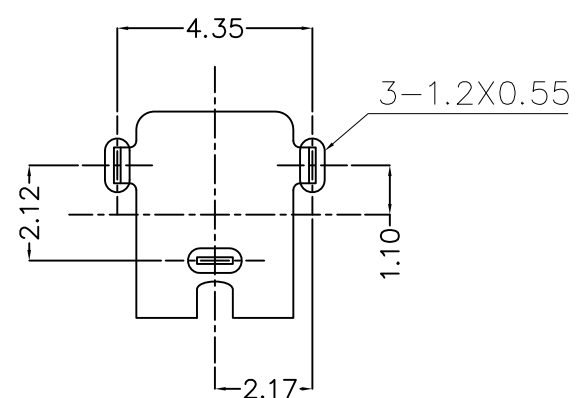
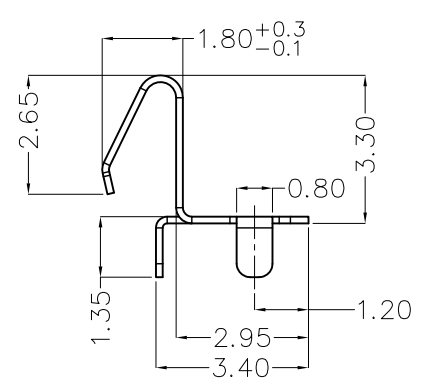
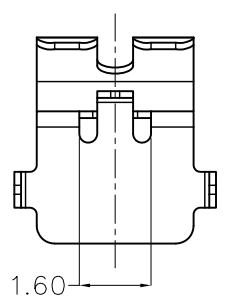
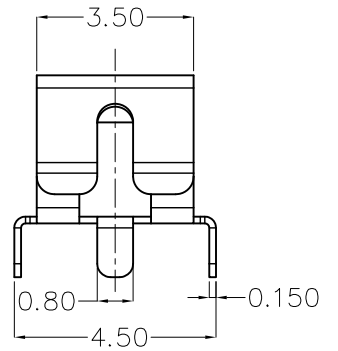
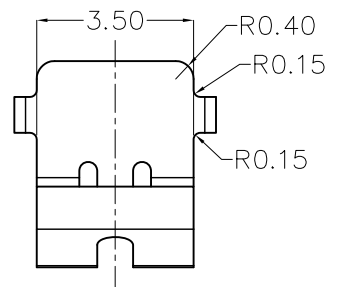




REV.	ECN NO.	REVISED	DATE



PCB Layout Diagram
Top View



- 技术要求:
- 1、截剪断面毛刺高度 $\leq 0.03\text{mm}$;
 - 2、部件要求平整,无变形、裂纹、损伤等外观缺陷;

UNLESS OTHERWISE SPECIFIED TOLERANCES		MYOUNG 美阳 www.meiyangdz.com	
DECIMALS: X :±0.30 X.X :±0.25 X.XX :±0.20 X.XXX :±0.10	ANGLES: X :±1° X.X :±0.5°	DSND YangFeng	DATE 2018-12-21
		CHKD ZhouRuicai	DATE 2018-12-21
		APVD XueShunyong	DATE 2018-12-21
WEIGHT:		SCALE:	VIEW:
SHEET 1 OF 1		SIZE: A4	OBJECT: MY
		UNIT: mm	REV.: A/2
		TITLE: 电池接触片-111LM正极	
		PART NO.: MY-ZJ-111LM	
		DRAW NO.:MY-CP-0169	

1	TERMINAL+	1	SUS304 T=0.15	Au-Plating
NO.	PART NAME	Q'TY	MATERIAL	PLATING & COLOR