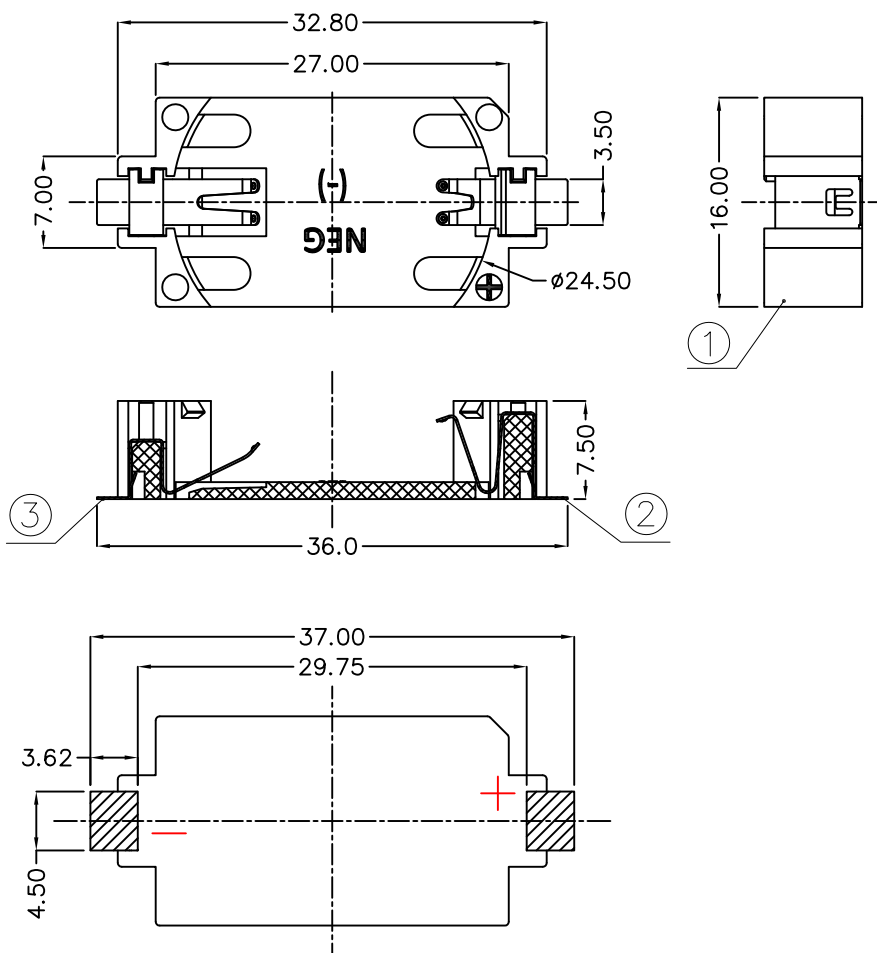




REV.	ECN NO.	REVISED	DATE

NOTE:

- 1.MATERIAL:
 a.HOUSING: LCP UL94V-0
 b.CONTACT:PHOSPHOR BRONZE
 (SURFACE PLATING: Au1u")
 SEE ORDERING INFORMATION
- 2.ELECTRIC:
 a.CONTACT RESISTANCE: 30 MILLIOHMS MAX
 b.INSULATION RESISTANCE: 1000 MEGA OHMS MIN
 c.DIELECTNIC VOLTAGE: 500V AC ONE SEC LEVEL
 d.OPERATING TEMPERATURE: -25° C ~ +85° C



ORDERING INFORMATION

BS-24-B***016

PLATING:
 A-Au1U"
 J-Ni100U"~120U"
 K-Sn100U"~120U"

MATERIAL:
 1A-PBT BLACK
 1B-PA66 BLACK
 2A-PPA BROWN
 2B-PPA BLACK
 3A-PPS BROWN
 3B-PPS BLACK
 4A-LCP WHITE
 4B-LCP BLACK

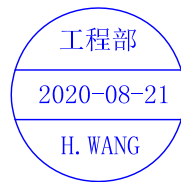
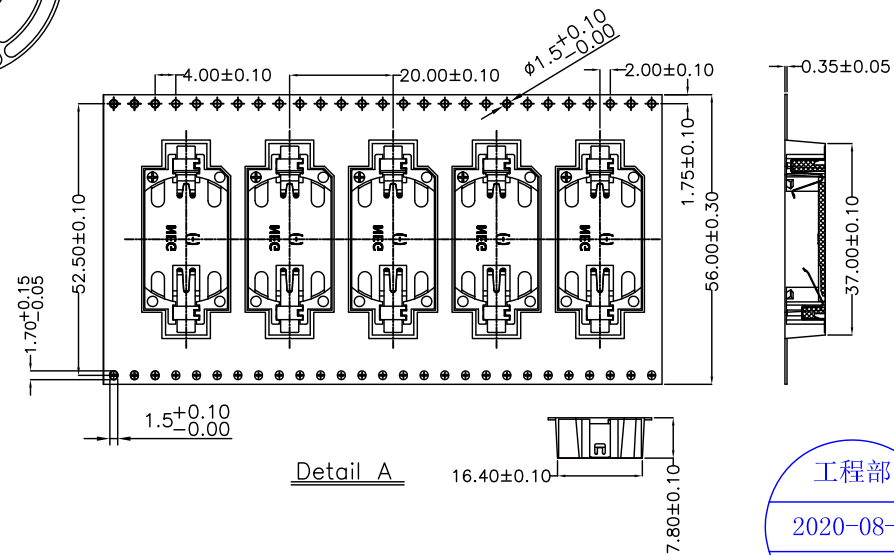
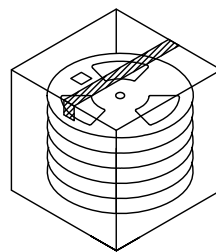
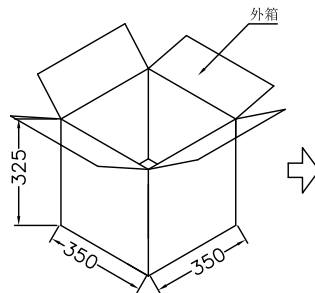
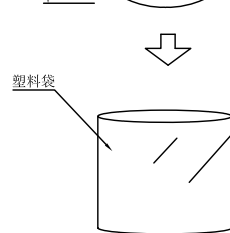
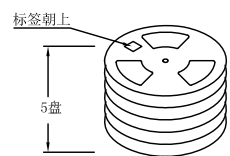
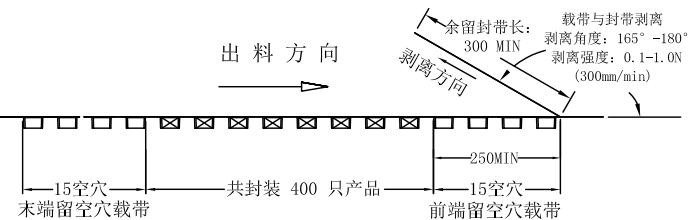
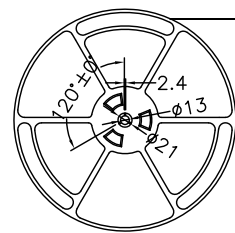
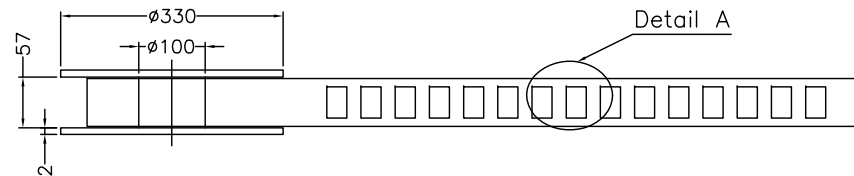
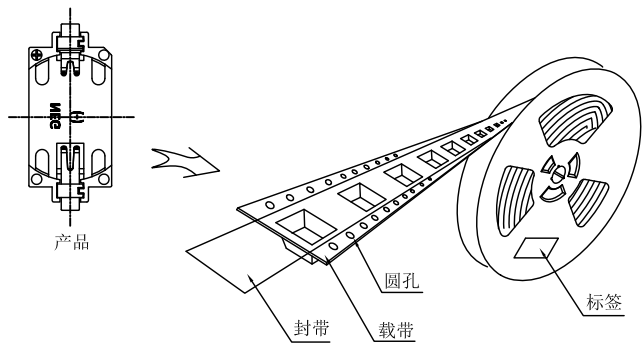
电池座系列
 BS-24系列
 SMT 180° TYPE

工程部
 2018-05-30
 LQ. HUANG

PCB Layout Diagram
 Top View

3	TERMINAL(-)	1	PHOSPHOR BRONZE, T=0.15mm	Gold Plating and Ni Under-Plating
2	TERMINAL(+)	1	PHOSPHOR BRONZE, T=0.15mm	Gold Plating and Ni Under-Plating
1	HOUSE	1	LCP UL94 V-0	WHITE
NO.	PART NAME	Q'TY	MATERIAL	PLATING & COLOR

UNLESS OTHERWISE SPECIFIED TOLERANCES		MYOUNG 美阳 www.meiyangdz.com			
DECIMALS: X :±0.30 X.X :±0.25 X.XX :±0.20 X.XXX :±0.10	ANGLES: X :±1° X.X :±0.5°	DSND	YangFeng	DATE	2018-05-30
		CHKD	ZhouRuicai	DATE	2018-05-30
		APVD	XueShunyong	DATE	2018-05-30
WEIGHT:		SCALE:	SIZE: A4	VIEW:	⊕ ⊖
SHEET 1 OF 1		UNIT: mm	REV.: A/0	OBJECT: MY	DRAW NO.:MY-CP-0138
		TITLE:		BS-2450-2 Au SMT	
		PART NO.:		BS-24-B4AA016	



技术要求:

1. 圆孔十个孔距离累计允许公差为 $\pm 0.2\text{mm}$
2. 带长250mm内容许弯曲度1mm
3. 材料厚度以在载带边缘测量为准
4. 所有尺寸定义依循EIA-481-C系准则定义之
5. 材料: 黑色PS T=0.35mm
6. 所有卷轮为灰蓝挖空旋转塑胶卷轮
7. 整模成型长度: 8.6M,
8. 非指明公差范围为: $\pm 0.1\text{mm}$; 超过250mm不计算累计误差
9. 型腔外形凡未标明处倒角R为0.2-0.3; 拔模斜度未标注的为 3° 以下

包装信息:

- 1、每卷盘装产品 400 只, 卷盘外侧贴相关标签;
- 2、每 5 卷盘放在一个塑料袋中;
- 3、每外箱装5盘, 产品总数: 2000 只;
- 4、外箱上下用胶纸封成“工”字;
- 5、净重: 3.5 KG, 毛重: 6.7 KG.

UNLESS OTHERWISE SPECIFIED TOLERANCES		MYOUNG 美阳 www.meiyangdz.com			
DECIMALS: X : ±*** X.X : ±*** X.XX : ±*** X.XXX : ±***	ANGLES: X : ±*** X.X : ±***	DSND	YangFeng	DATE	2020-08-21
		CHKD	ZhouRuicai	DATE	2020-08-21
		APVD	XueShun Yong	DATE	2020-08-21
WEIGHT:		SCALE:	SIZE: A4	VIEW:	
SHEET 1 OF 1		UNIT: mm	REV.: A/0	OBJECT: MY	
		TITLE:		BS-2450-2 SMT 卷装	
		PART NO.:		BS-24-B***00*-R	
		DRAW NO.:		MY-BD-0021	