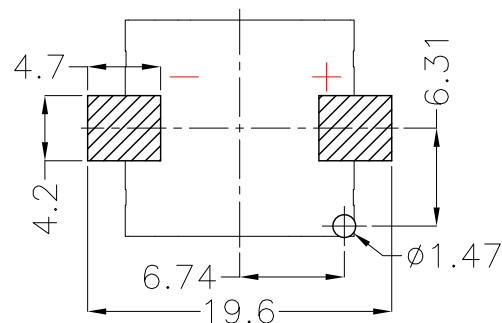
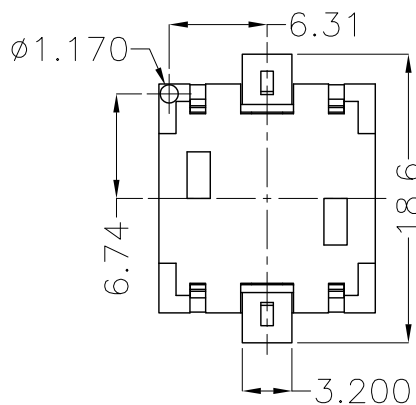
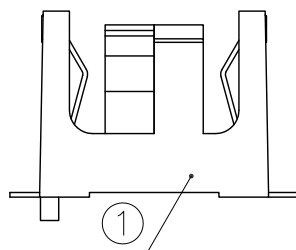
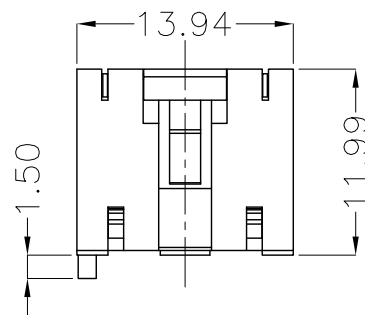
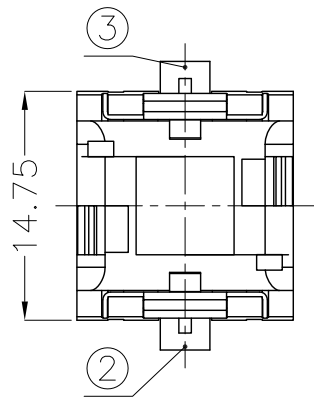




REV.	ECN NO.	REVISED	DATE



PCB Layout Diagram
Top View

1.MATERIAL:

- a.HOUSING:PPA
- b.CONTACT:PHOSPHOR BRONZE
(SURFACE PLATING:Au1u")

SEE ORDERING INFORMATION

2.ELECTRIC:

- a.CONTACT RESISTANCE: 30 MILLIOHMS MAX
- b.INSULATION RESISTANCE: 1000 MEGA OHMS MIN
- c.DIELECTNIC VOLTAGE: 500V AC ONE SEC LEVEL
- d.OPERATING TEMPERATURE: -25°C~ +85°C

ORDERING INFORMATION

BS-09-B*001**

电池座系列

BS-09系列

SMT 180° TYPE

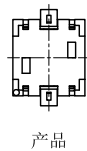
PLATING:
A-Au1U"
J-Ni100U"~120U"
K-Sn100U"~120U"

MATERIAL:
1A-PBT BLACK
1B-PA66 BLACK
2A-PPA BROWN
2B-PPA BLACK
3A-PPS BROWN
3B-PPS BLACK
4A-LCP WHITE
4B-LCP BLACK

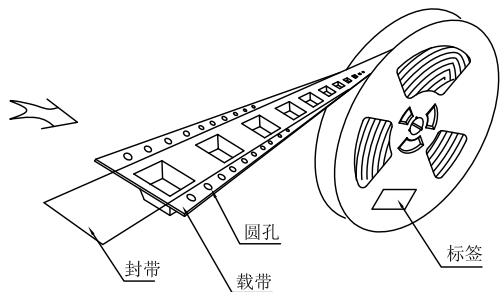


UNLESS OTHERWISE SPECIFIED TOLERANCES		MYOUNG 美阳 www.meiyangdz.com					
DECIMALS: X :±0.30 X.X :±0.25 X.XX :±0.20 X.XXX :±0.10	ANGLES: X :±1° X.X :±0.5°	DSND	YangFeng	DATE	2017-07-13	TITLE:	BS-2AG13-9 SMT
WEIGHT: 1.91g		CHKD	ZhouRuicai	DATE	2017-07-13	PART NO.:	BS-09-B2BA001
SHEET 1 OF 1		APVD	XueShunyong	DATE	2017-07-13	VIEW:	
		SCALE:	2:1	SIZE:	A4	UNIT:	mm
		REV.:	A/0	OBJECT:	MY	DRAW NO.:	MY-CP-0033

NO.	PART NAME	Q'TY	MATERIAL	PLATING & COLOR
3	TERMINAL(-)	1	PHOSPHOR BRONZE, T=0.30mm	Gold Plating and Ni Under-Plating
2	TERMINAL(+)	1	PHOSPHOR BRONZE, T=0.30mm	Gold Plating and Ni Under-Plating
1	HOUSING	1	PPA	BLACK



产品

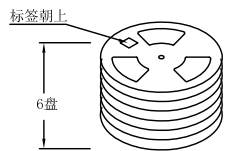


圆孔

封带

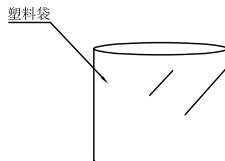
载带

标签

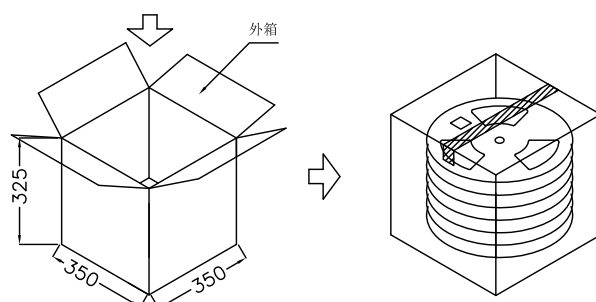


标签朝上

6盘



塑料袋

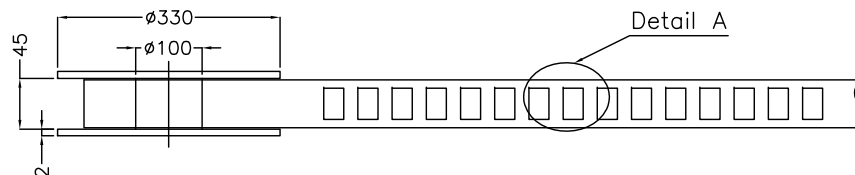


外箱

325

350

350



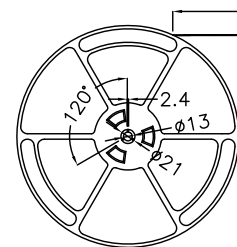
Detail A

45

ø330

ø100

2



120°

2.4

ø13

ø21

300 MIN

出料方向

剥离方向

余留封带长: 300 MIN

载带与封带剥离角: 165° - 180°

剥离强度: 0.1-1.0N (300mm/min)

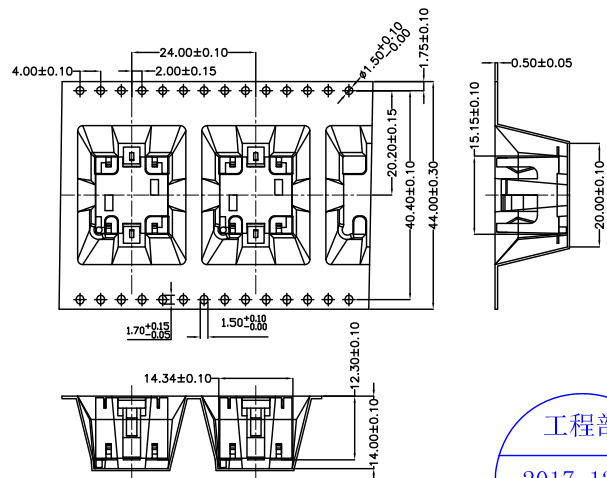
8空穴

共封装 200 只产品

8空穴

末端留空穴载带

前端留空穴载带



4.00±0.10

24.00±0.10

2.00±0.15

ø1.50±0.10

1.75±0.10

0.50±0.05

20.20±0.15

40.40±0.10

44.00±0.30

15.15±0.10

20.00±0.10

1.70±0.15

1.50±0.10

12.30±0.10

14.00±0.10

Detail A



工程部

2017-12-21

ZW DANG

技术要求:

1. 圆孔十个孔距离累计允许公差为±0.2mm
2. 带长250mm内容许弯曲度1mm
3. 材料厚度以在载带边缘测量为准
4. 所有尺寸定义依循EIA-481-C系准则定义之
5. 材料: 黑色PS T=0.50mm
6. 所有卷轮为灰蓝挖空旋转塑胶卷轮
7. 整模成型长度: 5.184M,
8. 非指明公差范围为: ±0.1mm; 超过250mm不计算累计误差
9. 型腔外形凡未标明处倒角R为0.2-0.3; 拔模斜度未标注的为3° 以下

包装信息:

- 1、每卷盘装产品 200 只, 卷盘外侧贴相关标签;
- 2、每 6 卷盘放在一个塑料袋中;
- 3、每外箱装6盘, 产品总数: 1200 只;
- 4、外箱上下用胶纸封成“工”字;
- 5、净重: 2.3 KG, 毛重: 5.3 KG.

UNLESS OTHERWISE SPECIFIED TOLERANCES		MYOUNG 美阳 www.meiyangdz.com			
DECIMALS: X : ±*** X.X : ±*** X.XX : ±*** X.XXX : ±***	ANGLES: X : ±*** X.X : ±***	DSND YangFeng	DATE 2017-12-01	TITLE: BS-2AG13-9 SMT卷装	
WEIGHT:		CHKD ZhouRuicai	DATE 2017-12-01	PART NO.:	
SHEET 1 OF 1		APVD XueShun Yong	DATE 2017-12-01	BS-09-B2BA001-R	
		SCALE: 3:1	SIZE: A4	VIEW:	DRAW NO.: MY-BD-0001
		UNIT: mm	REV.: A/0	OBJECT: MY	