



REV.	ECN NO.	REVISED	DATE

1.MATERIAL:
 a.HOUSING:PPS UL94V-0
 b.CONTACT:PHOSPHOR BRONZE
 (SURFACE PLATING:AU1u")
 SEE ORDERING INFORMATION

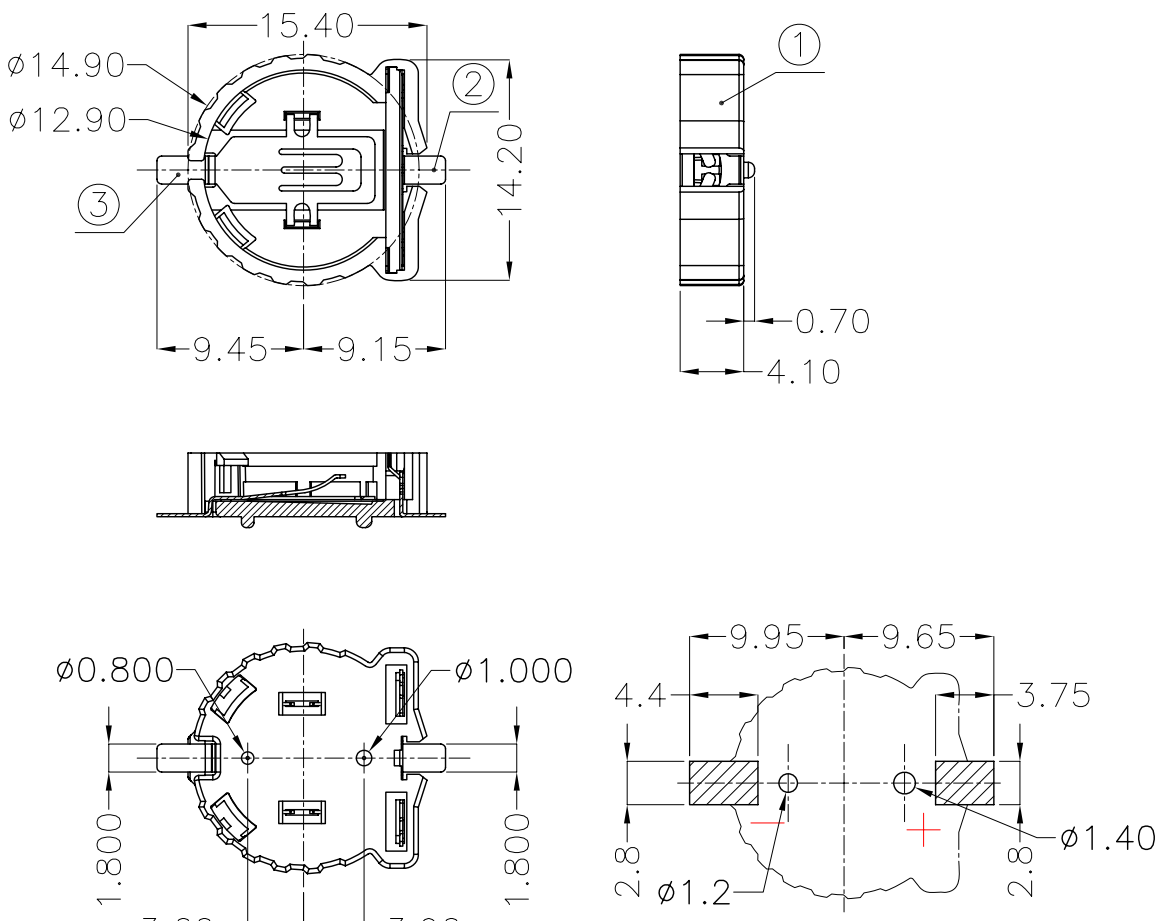
2.ELECTRIC:
 a.CONTACT RESISTANCE: 30 MILLIOHMS MAX
 b.INSULATION RESISTANCE: 1000 MEGA OHMS MIN
 c.DIELECTNIC VOLTAGE: 500V AC ONE SEC LEVEL
 d.OPERATING TEMPERATURE: -25°C~ +85°C

ORDERING INFORMATION

BS-12-B***011

PLATING:
 A-Au1U"
 J-Ni100U"~120U"
 K-Sn100U"~120U"

MATERIAL:
 1A-PBT BLACK
 1B-PA66 BLACK
 2A-PPA BROWN
 2B-PPA BLACK
 3A-PPS BROWN
 3B-PPS BLACK
 4A-LCP WHITE
 4B-LCP BLACK

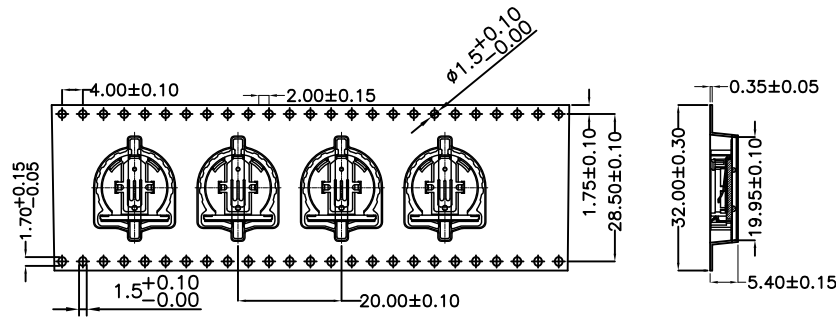
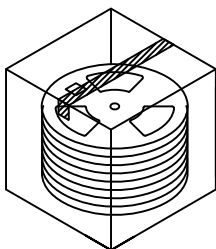
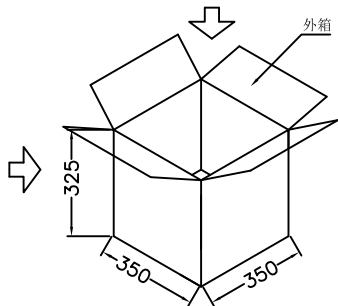
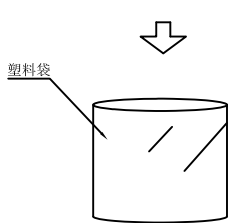
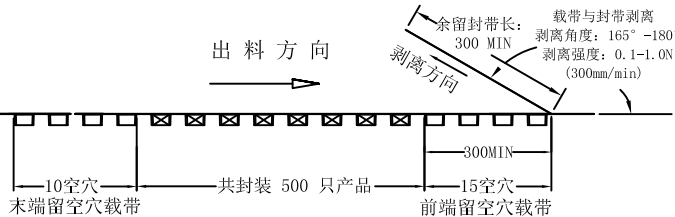
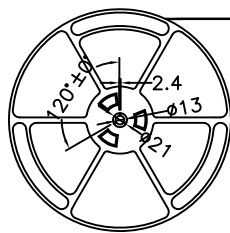
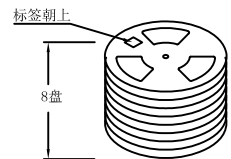
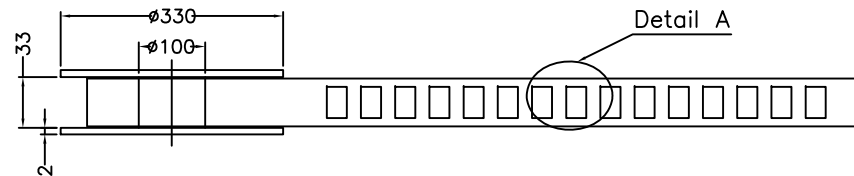
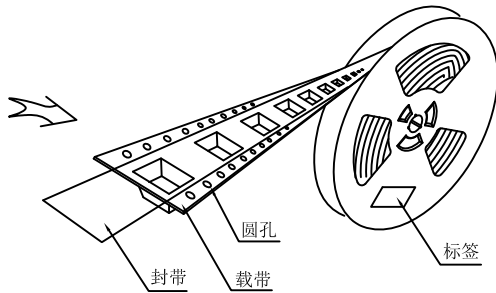


工程部
 2017-06-28
 ZW DANG

PCB Layout Diagram
 Top View

UNLESS OTHERWISE SPECIFIED TOLERANCES		MYOUNG 美阳 www.meiyangdz.com	
DECIMALS: X :±0.30 X.X :±0.25 X.XX :±0.20 X.XXX :±0.10	ANGLES: X :±1° X.X :±0.5°	DSND YangFeng	DATE 2017-09-01
WEIGHT: 0.70g		CHKD ZhouRuicai	DATE 2017-09-01
		APVD XueShunYong	DATE 2017-09-01
SHEET 1 OF 1		SCALE: 2:1	SIZE: A4
UNIT: mm		REV.: A/0	VIEW:
TITLE: BS-1220-2 PPS SMT (正极改结构,负极加宽)		PART NO.: BS-12-B3AA011	
DRAW NO.:MY-CP-0038			

3	TERMINAL(-)	1	PHOSPHOR BRONZE, T=0.20mm	Gold Plating and Ni Under-Plating
2	TERMINAL(+)	1	PHOSPHOR BRONZE, T=0.20mm	Gold Plating and Ni Under-Plating
1	HOUSING	1	PPS	BROWN
NO.	PART NAME	Q'TY	MATERIAL	PLATING & COLOR



Detail A



- 技术要求:
1. 圆孔十个孔距离累计允许公差为±0.2mm
 2. 带长250mm内容许弯曲度1mm
 3. 材料厚度以在载带边缘测量为准
 4. 所有尺寸定义依循EIA-481-C系准则定义之
 5. 材料: 黑色PS T=0.35mm
 6. 所有卷轮为灰蓝挖空旋转塑胶卷轮
 7. 整模成型长度: 10.5M,
 8. 非指明公差范围为: ±0.1mm; 超过250mm不计算累计误差
 9. 型腔外形凡未标明处倒角R为0.2-0.3; 拔模斜度未标注的为3°以下

- 包装信息:
- 1、每卷盘装产品 500 只, 卷盘外侧贴相关标签;
 - 2、每 8 卷盘放在一个塑料袋中;
 - 3、每外箱装8盘, 产品总数: 4000 只;
 - 4、外箱上下用胶纸封成“工”字;
 - 5、净重: 2.4 KG, 毛重: 6.9 KG.

UNLESS OTHERWISE SPECIFIED TOLERANCES		MYOUNG 美阳 www.meiyangdz.com			
DECIMALS: X : ±*** X.X : ±*** X.XX : ±*** X.XXX : ±***	ANGLES: X : ±*** X.X : ±***	DSND	YangFeng	DATE	2020-08-17
		CHKD	ZhouRuicai	DATE	2020-08-17
		APVD	XueShun Yong	DATE	2020-08-17
WEIGHT:		SCALE:	3:1	SIZE:	A4
SHEET 1 OF 1		VIEW:	⊙ ⊞	REV.:	A/0
		UNIT:	mm	OBJECT:	MY
		TITLE:	BS-1220-2 SMT 卷装		
		PART NO.:	BS-12-B***00*-R		
		DRAW NO.:	MY-BD-0011		