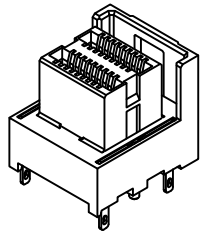


IDEAS GENERATED DRAWING. DON'T CHANGE BY HAND.

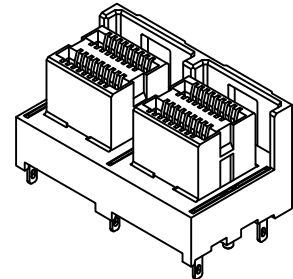
REV.	ECN. NO.	APPD.

NOTES: UNLESS OTHERWISE SPECIFIED

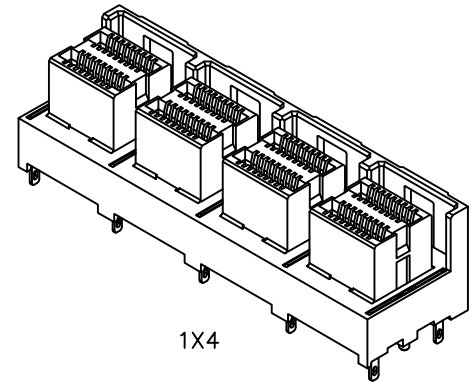
- DIMENSIONS SHALL BE INTERPRETED PER ASME Y14.5-2009.
- THE SPECIFICATIONS MEET THE SFF-8643.
- MATERIALS:
HOUSING: HIGH TEMPERATURE THERMOPLASTIC, UL94V-0, COLOR: BLACK.
CONTACTS: COPPER ALLOY.
- THE "FOXCONN" LOGO IS LOCATED APPROX. AS SHOWN.
- DATE CODE: "****" REFER TO FOXCONN'S DOC. "SQ-3B0-070".
- PLEASE CONTACT FOXCONN SALES REPRESENTATIVE TO VERIFY PRODUCT DETAILS & AVAILABILITY.
- HARMFUL MATERIAL CONTROL PLEASE FOLLOW FOXCONN'S DOC. "EPI12".
- THE CONCENTRATIONS OF Br&Cl CAN SATISFY THE REQUIREMENT OF HALOGEN-FREE IN DOCUMENT "EPI12".
- PRODUCT NO. MATRIX:



1X1



1X2



1X4

PRODUCT SERIES LY * * * * - * * * * - * *
MINI SAS HD

MATING SIDE GENDER
2: RECEPTACLE, R/A
5: RECEPTACLE, V/T

NO. OF POSITIONS
036: 36P
072: 72P
144: 144P

GOLD PLATING
7: 15u
3: 30u

APPLICATIONS
N: INTERNAL
E: EXTERNAL

F: ROHS PRODUCT
H: HALOGEN FREE

PACKAGE TYPE
4: SOFT TRAY
7: TAPE REEL

DEVELOPING SERIES NUMBER
0: STANDARD

MOUNTING TYPE
T: PRESS FIT
S: SMT

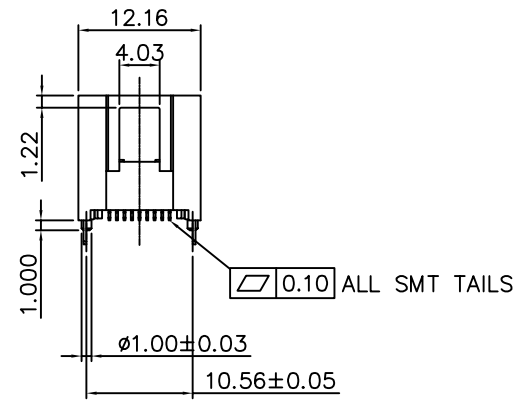
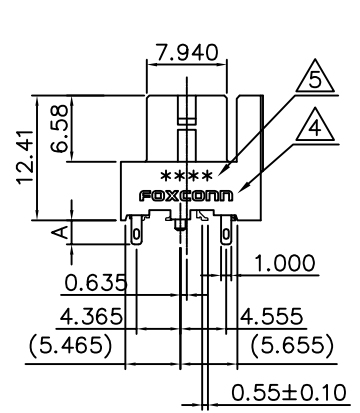
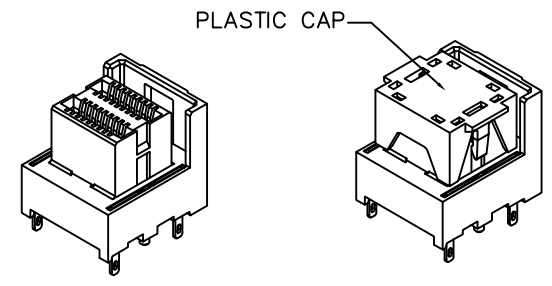
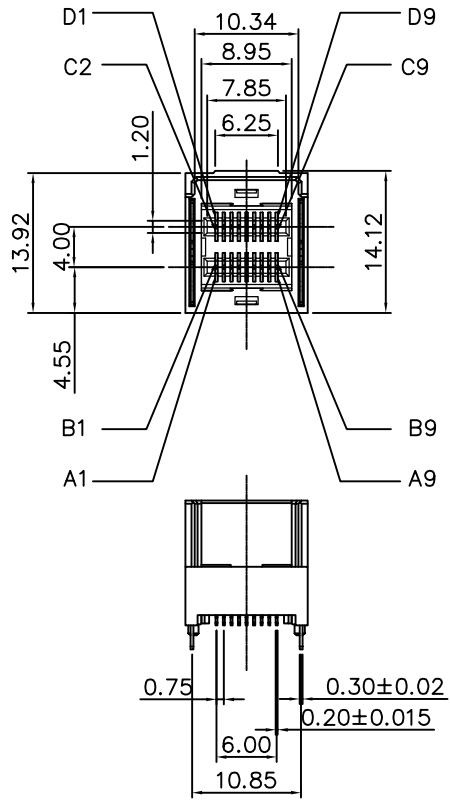
1: WITHOUT EMI CAGE, WITHOUT DUST COVER
2: WITH EMI CAGE, WITHOUT DUST COVER AND HEAT SINK
3: WITH EMI CAGE, WITH COVER AND HEAT SINK
4: WITH EMI CAGE AND DUST COVER, WITHOUT HEAT SINK
5: WITH EMI CAGE AND HEAT SINK, WITHOUT DUST COVER
6: WITHOUT EMI CAGE, WITH DUST COVER AND ONE WALL
7: WITHOUT EMI CAGE, WITH DUST COVER AND TWO WALL
8: WITHOUT EMI CAGE, WITH DUST COVER AND FOUR WALL

CONFIGURATION	P/N
1X1	LY5036*-N6S*-*H
1X2	LY5072*-N6S*-*H
1X4	LY5144*-N6S*-*H

X.±	X'.±	UNITS mm	NAME(INTENDED USE)	FOXCONN® FOXCONN INTERCONNECT TECHNOLOGY LIMITED	
.X± 0.30	.X'±	MAT'L	MINISAS HD		
.XX± 0.20	.XX'±	FINISH	PART NO.(INTENDED USE)	CLASS: <input type="checkbox"/> CONFIDENTIAL <input type="checkbox"/> SECRET <input checked="" type="checkbox"/> GENERAL	
.XXX± 0.10	.XXX'±		LY5****-N6S*-*H	APPD: Yusan-Hsiao	TITLE: CUSTOMER DRAWING FOR MINISAS HD VERTICAL SMT TYPE
THESE DRAWINGS AND SPECIFICATIONS ARE THE PROPERTY OF FOXCONN INTERCONNECT TECHNOLOGY LIMITED. AND SHALL NOT BE REPRODUCED, COPIED OR USED IN ANY MANNER WITHOUT THE PRIOR WRITTEN CONSENT OF FOXCONN INTERCONNECT TECHNOLOGY LIMITED.			Q'TY	CHKD: Yen-chih.chang	
			DRAW: Betty Liu 04/10'14		DWG NO.: 303-0000-3086
			DRAWING SYMBOL		SCALE SHEET REV. N/A 1/8 X5

IDEAS GENERATED DRAWING. DON'T CHANGE BY HAND.

REV.	ECN. NO.	APPD.



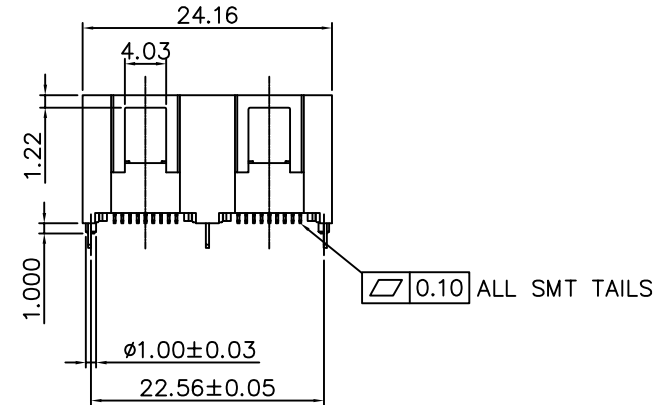
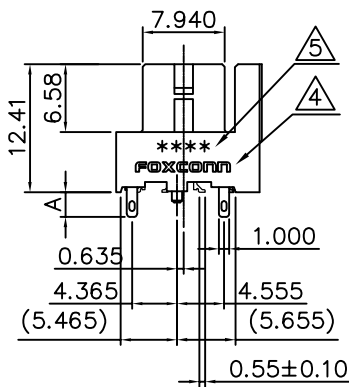
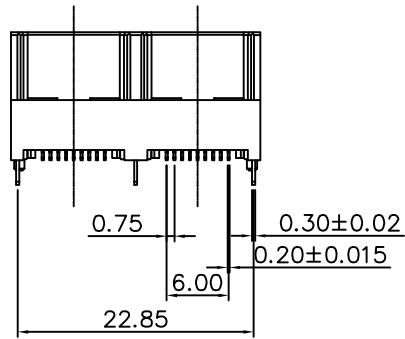
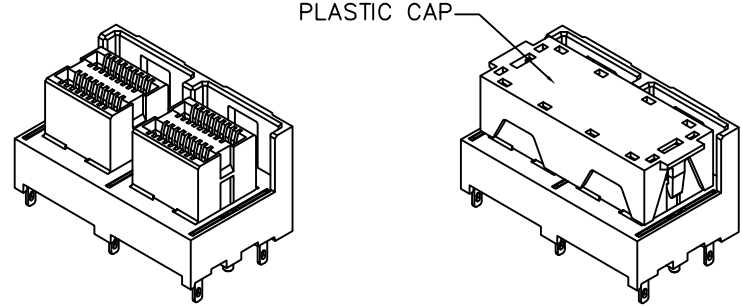
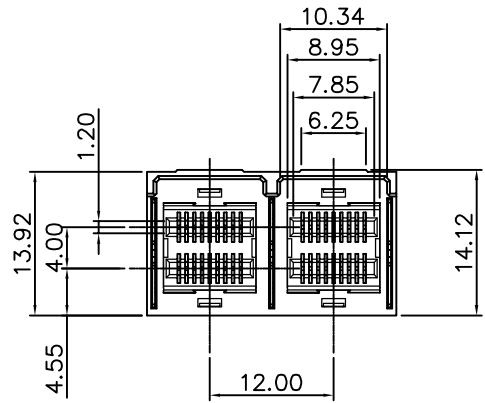
P/N	DIM A	APPLICABLE PCB THICKNESS
LY5***-N6S0-*H	2.40	1.57~1.60
LY5***-N6S1-*H	3.59	2.36~2.79
LY5***-N6S2-*H	3.98	3.18

X.±	X.±	UNITS	mm	NAME(INTENDED USE)	FOXCONN® FOXCONN INTERCONNECT TECHNOLOGY LIMITED
.X± 0.30	.X±	MAT'L		MINISAS HD	
.XX± 0.20	.XX±			PART NO.(INTENDED USE)	CLASS: <input type="checkbox"/> CONFIDENTIAL <input type="checkbox"/> SECRET <input checked="" type="checkbox"/> GENERAL
.XXX± 0.10	.XXX±	FINISH		LY5***-N6S*-*H	TITLE: CUSTOMER DRAWING FOR MINISAS HD VERTICAL SMT TYPE
THESE DRAWINGS AND SPECIFICATIONS ARE THE PROPERTY OF FOXCONN INTERCONNECT TECHNOLOGY LIMITED AND SHALL NOT BE REPRODUCED, COPIED OR USED IN ANY MANNER WITHOUT THE PRIOR WRITTEN CONSENT OF FOXCONN INTERCONNECT TECHNOLOGY LIMITED.				APPD: Yusan-Hsiao	DWG NO.: 303-0000-3086
				CHKD: Yen-chih.chang	
				DRAW: Betty Liu 04/10'14	
					SCALE SHEET REV. N/A 2/8 X5

IDEAS GENERATED DRAWING. DON'T CHANGE BY HAND.

REV.	ECN. NO.	APPD.

A
B
C
D
E

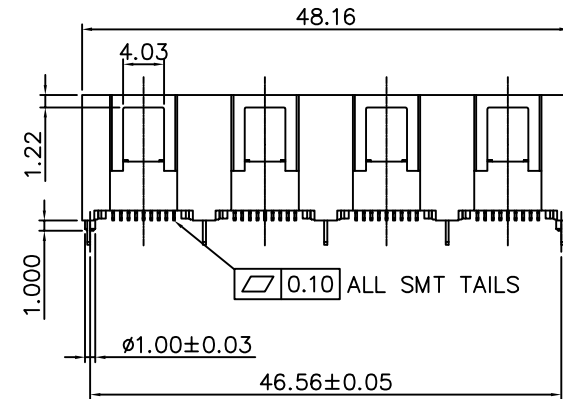
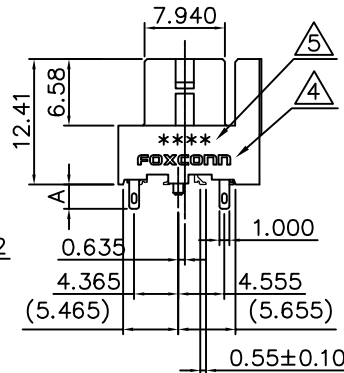
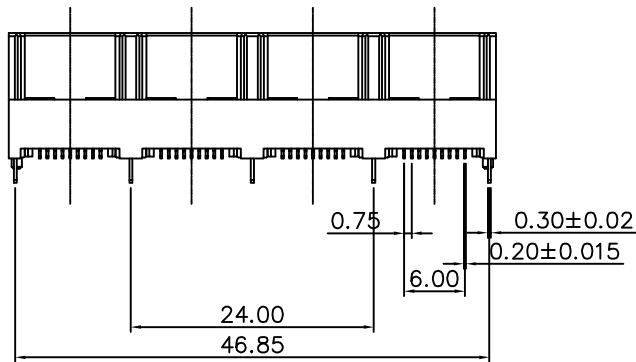
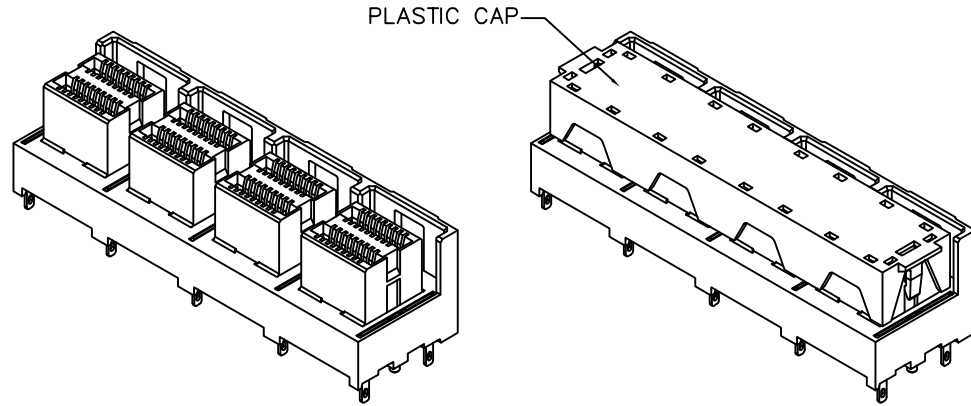
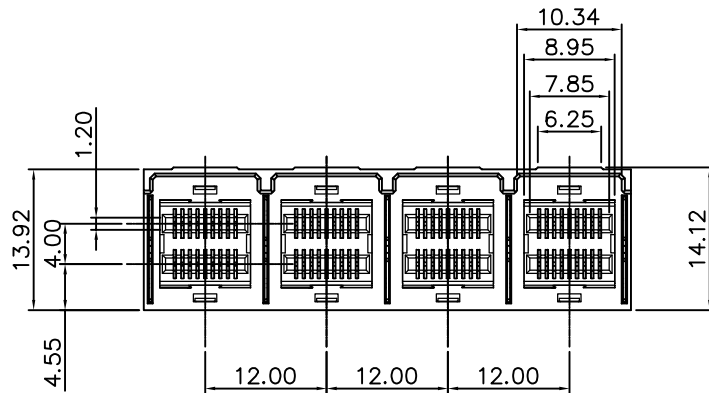


X.±	X'.±	UNITS	mm	NAME(INTENDED USE)	FOXCONN® FOXCONN INTERCONNECT TECHNOLOGY LIMITED.				
.X± 0.30	.X'±	MAT'L		MINISAS HD					
.XX± 0.20	.XX'±			PART NO.(INTENDED USE)	CLASS: <input type="checkbox"/> CONFIDENTIAL <input type="checkbox"/> SECRET <input checked="" type="checkbox"/> GENERAL				
.XXX± 0.10	.XXX'±	FINISH		LY5****-N6S*-#H	TITLE: CUSTOMER DRAWING FOR MINISAS HD VERTICAL SMT TYPE				
<small>THESE DRAWINGS AND SPECIFICATIONS ARE THE PROPERTY OF FOXCONN INTERCONNECT TECHNOLOGY LIMITED, AND SHALL NOT BE REPRODUCED, COPIED OR USED IN ANY MANNER WITHOUT THE PRIOR WRITTEN CONSENT OF FOXCONN INTERCONNECT TECHNOLOGY LIMITED.</small>				APPD:	Yusan-Hsiao	DWG NO.:	303-0000-3086		
				Q'TY	CHKD:	Yen-chih.chang	SCALE	SHEET	REV.
				DRAW:	Betty Liu 04/10'14	N/A	3/8	X5	

1 2 3 4 5 6 7 8

IDEAS GENERATED DRAWING. DON'T CHANGE BY HAND.

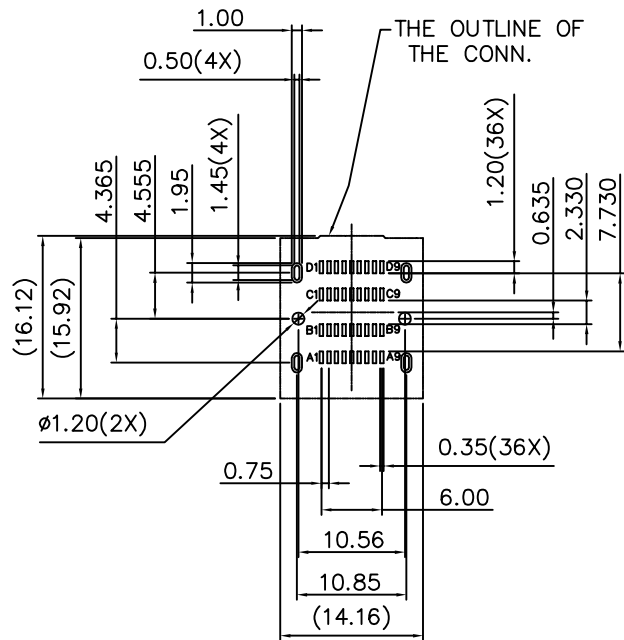
REV.	ECN. NO.	APPD.



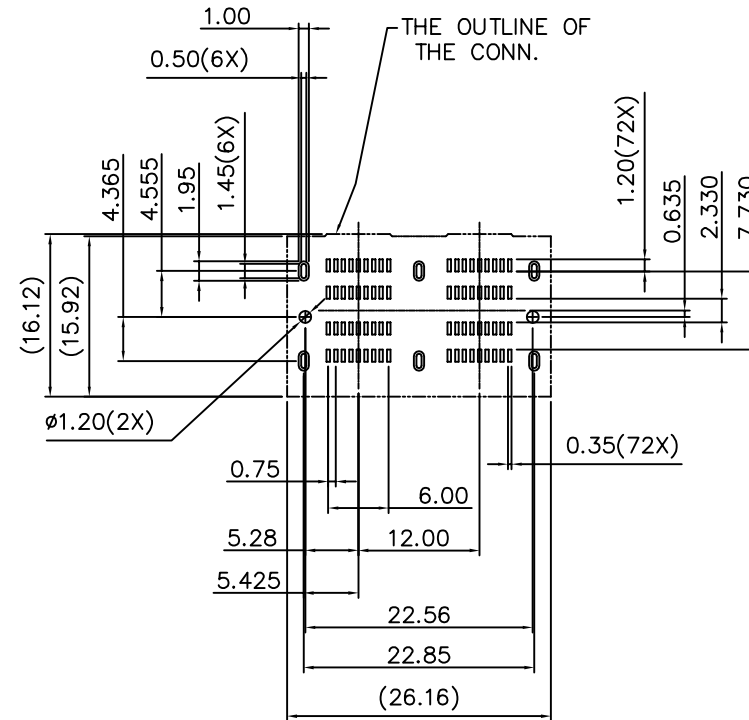
X.±	X.±	UNITS	mm	NAME(INTENDED USE)	FOXCONN FOXCONN INTERCONNECT TECHNOLOGY LIMITED.
.X± 0.30	.X'±	MAT'L		MINISAS HD	
.XX± 0.20	.XX'±			PART NO.(INTENDED USE)	CLASS: <input type="checkbox"/> CONFIDENTIAL <input type="checkbox"/> SECRET <input checked="" type="checkbox"/> GENERAL
.XXX± 0.10	.XXX'±	FINISH		LY5****-N6S*-*H	TITLE: CUSTOMER DRAWING FOR MINISAS HD VERTICAL SMT TYPE
THESE DRAWINGS AND SPECIFICATIONS ARE THE PROPERTY OF FOXCONN INTERCONNECT TECHNOLOGY LIMITED, AND SHALL NOT BE REPRODUCED, COPIED OR USED IN ANY MANNER WITHOUT THE PRIOR WRITTEN CONSENT OF FOXCONN INTERCONNECT TECHNOLOGY LIMITED.				APPD:	Yusan-Hsiao
				CHKD:	Yen-chih.chang
				DRAW:	Betty Liu 04/10'14
				Q'TY	
					DWG NO.: 303-0000-3086
					SCALE SHEET REV. N/A 4/8 X5

IDEAS GENERATED DRAWING. DON'T CHANGE BY HAND.

REV.	ECN. NO.	APPD.



1X1 RECOMMENDED PCB LAYOUT
(TOLERANCE=±0.05mm)



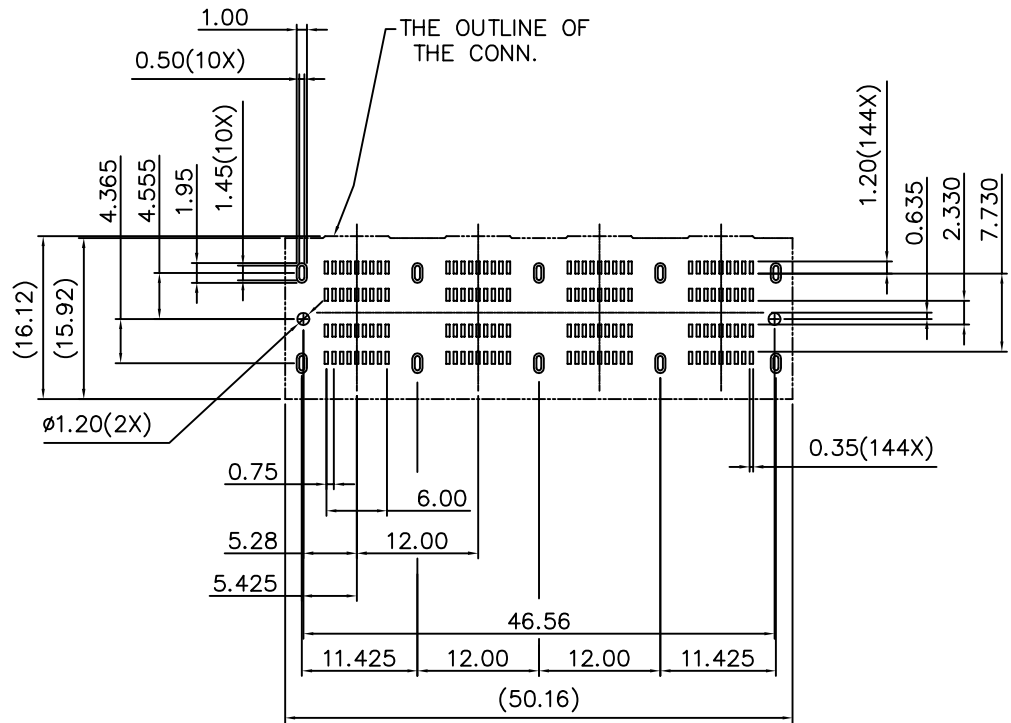
1X2 RECOMMENDED PCB LAYOUT
(TOLERANCE=±0.05mm)

D1	D2	D3	D4	D5	D6	D7	D8	D9
SB5	SB6	GN0	Tx0+	Tx0-	GND	Tx2+	Tx2-	GND
SB4	SB2	GN0	Tx1+	Tx1-	GND	TX5+	TX5-	GND
C1	C2	C3	C4	C5	C6	C7	C8	C9
B1	B2	B3	B4	B5	B6	B7	B8	B9
SB3	SB1	GND	Rx0+	Rx0-	GND	Rx2+	Rx2-	GND
SB7	SB0	GND	Rx1+	Rx1-	GND	RX5+	RX5-	GND
A1	A2	A3	A4	A5	A6	A7	A8	A9

X.±	X'.±	UNITS	mm	NAME(INTENDED USE)	FOXCONN® FOXCONN INTERCONNECT TECHNOLOGY LIMITED.
.X± 0.30	.X'±	MAT'L		MINISAS HD	
.XX± 0.20	.XX'±			PART NO.(INTENDED USE)	CLASS: <input type="checkbox"/> CONFIDENTIAL <input type="checkbox"/> SECRET <input checked="" type="checkbox"/> GENERAL
.XXX± 0.10	.XXX'±	FINISH		LY5****-NGS*-*H	TITLE: CUSTOMER DRAWING FOR MINISAS HD VERTICAL SMT TYPE
THESE DRAWINGS AND SPECIFICATIONS ARE THE PROPERTY OF FOXCONN INTERCONNECT TECHNOLOGY LIMITED. AND SHALL NOT BE REPRODUCED, COPIED OR USED IN ANY MANNER WITHOUT THE PRIOR WRITTEN CONSENT OF FOXCONN INTERCONNECT TECHNOLOGY LIMITED.				APPD: Yusan-Hsiao	DWG NO.: 303-0000-3086
				CHKD: Yen-chih.chang	
				DRAW: Betty Liu 04/10'14	
					SCALE SHEET REV. N/A 5/8 X5

IDEAS GENERATED DRAWING. DON'T CHANGE BY HAND.

REV.	ECN. NO.	APPD.

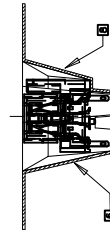
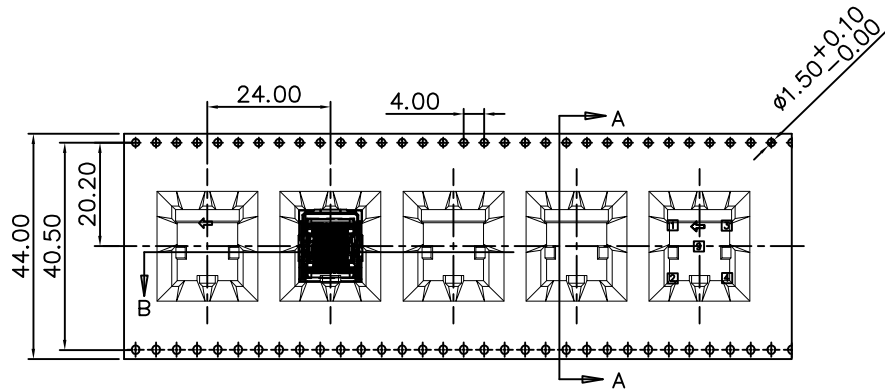
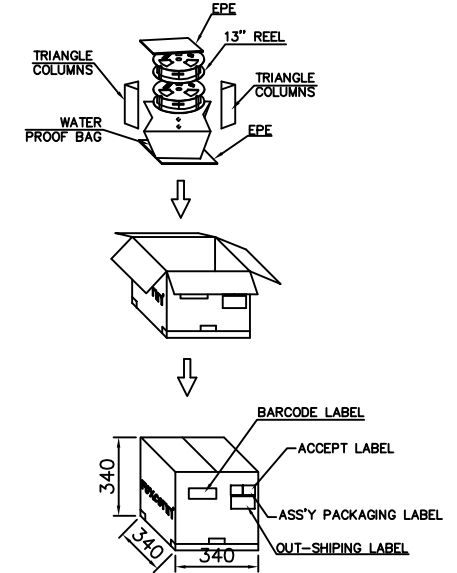
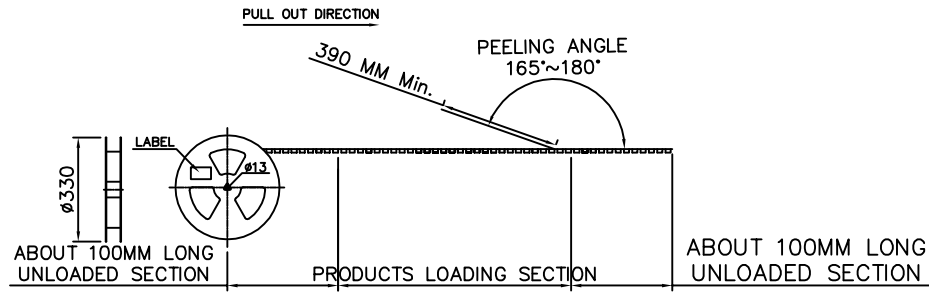


1X4 RECOMMENDED PCB LAYOUT
(TOLERANCE=±0.05mm)

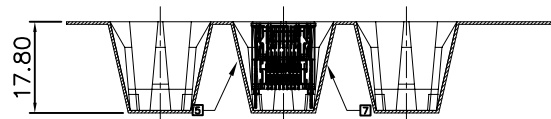
X.±	X.±	UNITS mm	NAME(INTENDED USE)	FOXCONN®	
.X± 0.30	.X±	MAT'L	MINISAS HD	FOXCONN INTERCONNECT TECHNOLOGY LIMITED	
.XX± 0.20	.XX±		PART NO.(INTENDED USE)	CLASS: <input type="checkbox"/> CONFIDENTIAL <input type="checkbox"/> SECRET <input checked="" type="checkbox"/> GENERAL	
.XXX± 0.10	.XXX±	FINISH	LY5***-N6S*-*H	TITLE: CUSTOMER DRAWING FOR MINISAS HD VERTICAL SMT TYPE	
<small>THESE DRAWINGS AND SPECIFICATIONS ARE THE PROPERTY OF FOXCONN INTERCONNECT TECHNOLOGY LIMITED, AND SHALL NOT BE REPRODUCED, COPIED OR USED IN ANY MANNER WITHOUT THE PRIOR WRITTEN CONSENT OF FOXCONN INTERCONNECT TECHNOLOGY LIMITED.</small>			APPD: Yusan-Hsiao	DWG NO.: 303-0000-3086	
			CHKD: Yen-chih.chang		SCALE SHEET REV.
			DRAW: Betty Liu 04/10'14		N/A 6/8 X5

IDEAS GENERATED DRAWING. DON'T CHANGE BY HAND.

REV.	ECN. NO.	APPD.



SECTION:A-A

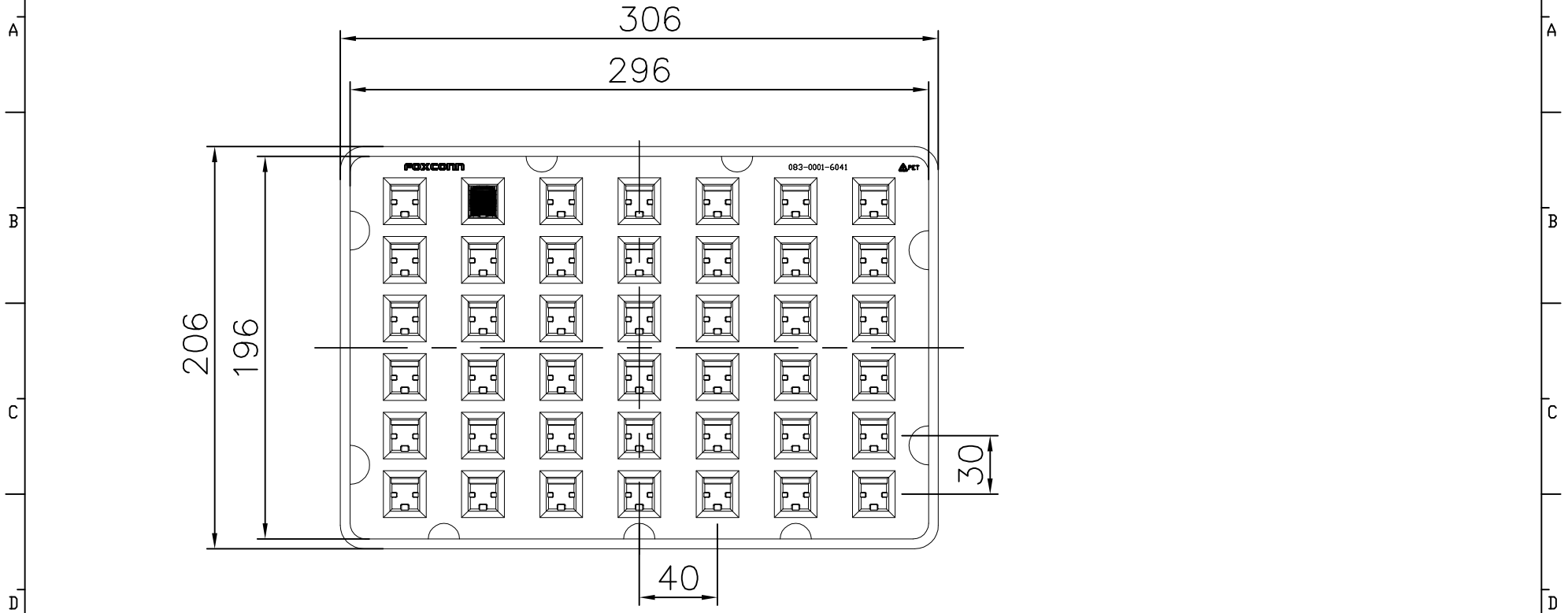


SECTION:B-B

X.±			NAME(INTENDED USE)	FOXCONN® FOXCONN INTERCONNECT TECHNOLOGY LIMITED	
.X± 0.30	.X'±	MAT'L	MINISAS HD		
.XX± 0.20	.XX'±		PART NO.(INTENDED USE)	CLASS: <input type="checkbox"/> CONFIDENTIAL <input type="checkbox"/> SECRET <input checked="" type="checkbox"/> GENERAL	
.XXX± 0.10	.XXX'±	FINISH	LY5***-N6S*-*H	TITLE: CUSTOMER DRAWING FOR MINISAS HD VERTICAL SMT TYPE	
THESE DRAWINGS AND SPECIFICATIONS ARE THE PROPERTY OF FOXCONN INTERCONNECT TECHNOLOGY LIMITED, AND SHALL NOT BE REPRODUCED, COPIED OR USED IN ANY MANNER WITHOUT THE PRIOR WRITTEN CONSENT OF FOXCONN INTERCONNECT TECHNOLOGY LIMITED.			APPD: Yusan-hsiao	DWG NO.: 303-0000-3086	
			Q'TY	CHKD: Yen-chih.chang	SCALE SHEET REV. N/A 7/8 X5
				DRAW: Betty Liu 04/10'14	

IDEAS GENERATED DRAWING. DON'T CHANGE BY HAND.

REV.	ECN. NO.	APPD.



ONLY FOR LY5036*-N6**-4H

X.±	X'.±	UNITS	mm	NAME(INTENDED USE)	FOXCONN® FOXCONN INTERCONNECT TECHNOLOGY LIMITED.	
.X± 0.30	.X'±	MAT'L		MINISAS HD		
.XX± 0.20	.XX'±			PART NO.(INTENDED USE)	CLASS: <input type="checkbox"/> CONFIDENTIAL <input type="checkbox"/> SECRET <input checked="" type="checkbox"/> GENERAL	
.XXX± 0.10	.XXX'±	FINISH		LY5****-N6S*-#H	TITLE: CUSTOMER DRAWING FOR MINISAS HD VERTICAL SMT TYPE	
THESE DRAWINGS AND SPECIFICATIONS ARE THE PROPERTY OF FOXCONN INTERCONNECT TECHNOLOGY LIMITED AND SHALL NOT BE REPRODUCED, COPIED OR USED IN ANY MANNER WITHOUT THE PRIOR WRITTEN CONSENT OF FOXCONN INTERCONNECT TECHNOLOGY LIMITED.				APPD: Yusan-hsiao	DWG NO.:	
				CHKD: Yen-chih.chang	303-0000-3086	
				DRAW: Betty Liu 04/10'14		
				SCALE	SHEET	REV.
				N/A	8/8	X5