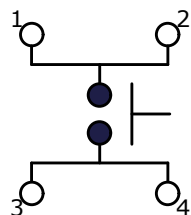


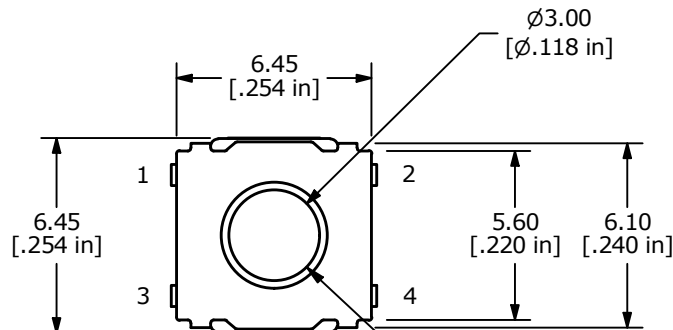
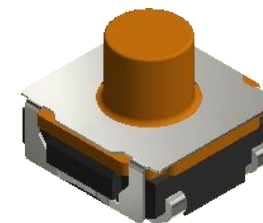
RECOMMENDED PCB LAYOUT



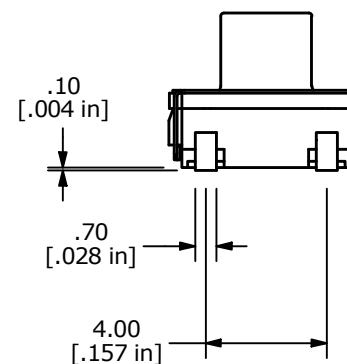
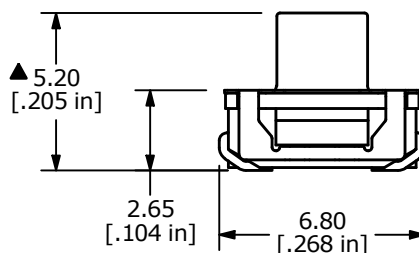
▲ CIRCUIT: SPST

NOTES:

1. ALL DIMENSIONS IN MM [INCH]
2. GENERAL TOLERANCE: x.x = ± 0.4
x.xx = ± 0.25
3. TERM. NOS. FOR REF. ONLY
4. RATING: 50mA, @12V DC
- ▲ 5. OPERATING FORCE: 350 ± 80gf
6. TRAVEL: 0.5 ± 0.3MM
7. CONTACT RESISTANCE: 100 mΩ MAX.
8. INSULATION RESISTANCE: 100MΩ MIN.
9. DIELECTRIC STRENGTH: 250VAC for 1 MINUTE
10. PACKAGING: TAPE AND REEL, 1000 PCS PER REEL
11. CONTACT MATERIAL: SILVER
12. ▲ DENOTES CRITICAL PARAMETER
- ▲ 13. ELECTRICAL LIFE: 500,000 CYCLES
14. OPERATING TEMPERATURE: -40°C to 85°C
15. IP67 RATED



▲ ACTUATOR COLOR: ORANGE



C	24657	PCB LAYOUT UPDATE	12/21/20	MJR
B	24373	PCB LAYOUT AND ACTUATOR TO ORANGE	7/2/20	MJR
REV	PCR NO	DESCRIPTION	DATE	BY

TITLE TL3145BF350QJ				
SCALE	DATE	DR	DWG	REV
4:1	5/12/2020	MJR	P031455	C