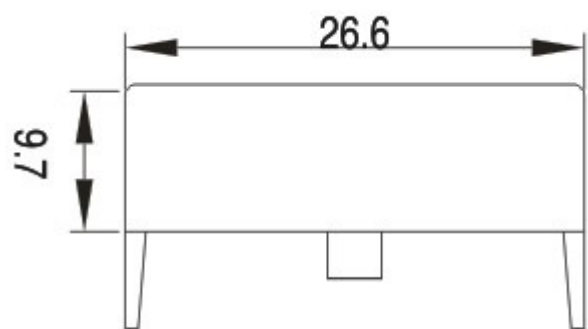
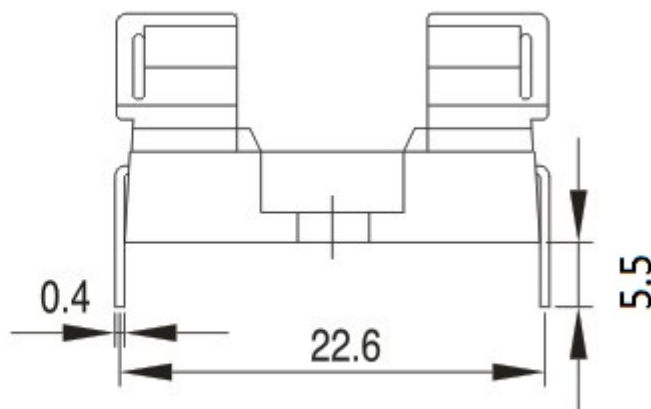
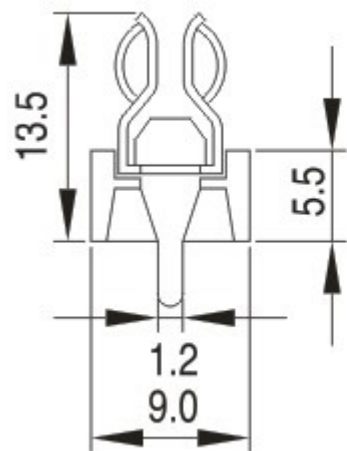


环保物料

TEL:0769-82001899



DRAWING FOR COVER

- 1、座子原材料(Seat materials): Black Thermoplastic, 。UL 阻燃度94 V0。
- 2、端子原材料(Terminal raw materials):H62镀镍(H62 nickel plating)。
- 3、可焊性Solderability : max. 260 °C, 10 s (Wave)
- 4、适用于装配电路板(Suitable for circuit board assembly)。
- 5、装配方式(Assembly way): 插入、焊接(insert, welding)。
- 6、通过认证Agency Approvals :UL 125V20A , VDE 250V6.3A

7、电气特性

Electcnical Characteristics

For Fusc	Rated Ampcrage	Rated Voltagc	Operating Power	Contact Resistancce	InsulationR csistancce	DiclectnicStren gth
适配保险丝	额定电流	额定电压	额定功率	接触电阻	绝缘电阻	耐压
5x20mm	6.3A	250V	1.6W	>5MΩ	>100MΩ	>300Vac/60"

AO	MODIFICATION	DRAW	DATE
VER			

TOLERANCE UNLESS OTHERWISE

X.	±0.30	X°	±5°
.X	±0.20	.X°	±2°
.XX	±0.08	.XX°	±1°
.XXX	±0.03	.XXX°	±0.5°

DRAWN	CK tan
CHKD	
APPD	
VIEW	

XFCN 兴飞连接器有限公司
XFCN CONNECTORS CO.,LTD.

PRODUCT NAME: 5X20mm 保险丝座
PART. NO.: PTF-15

SHEET	1/1
DATE	2020.04.12
UNITS	mm
SCALE	1:1
DWG. NO.	009