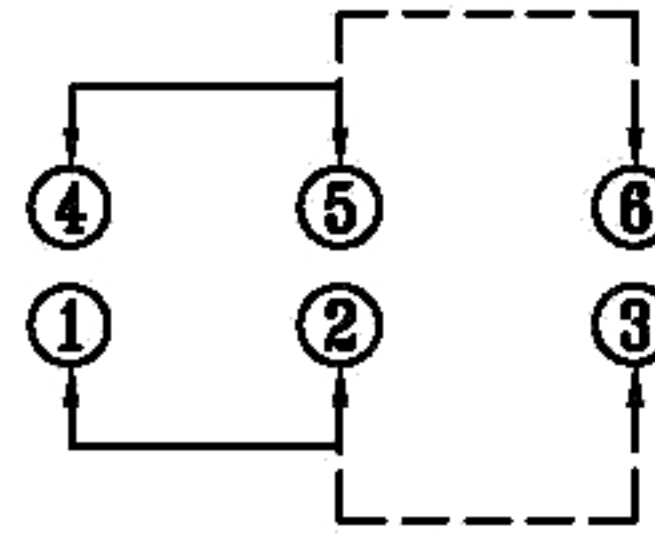
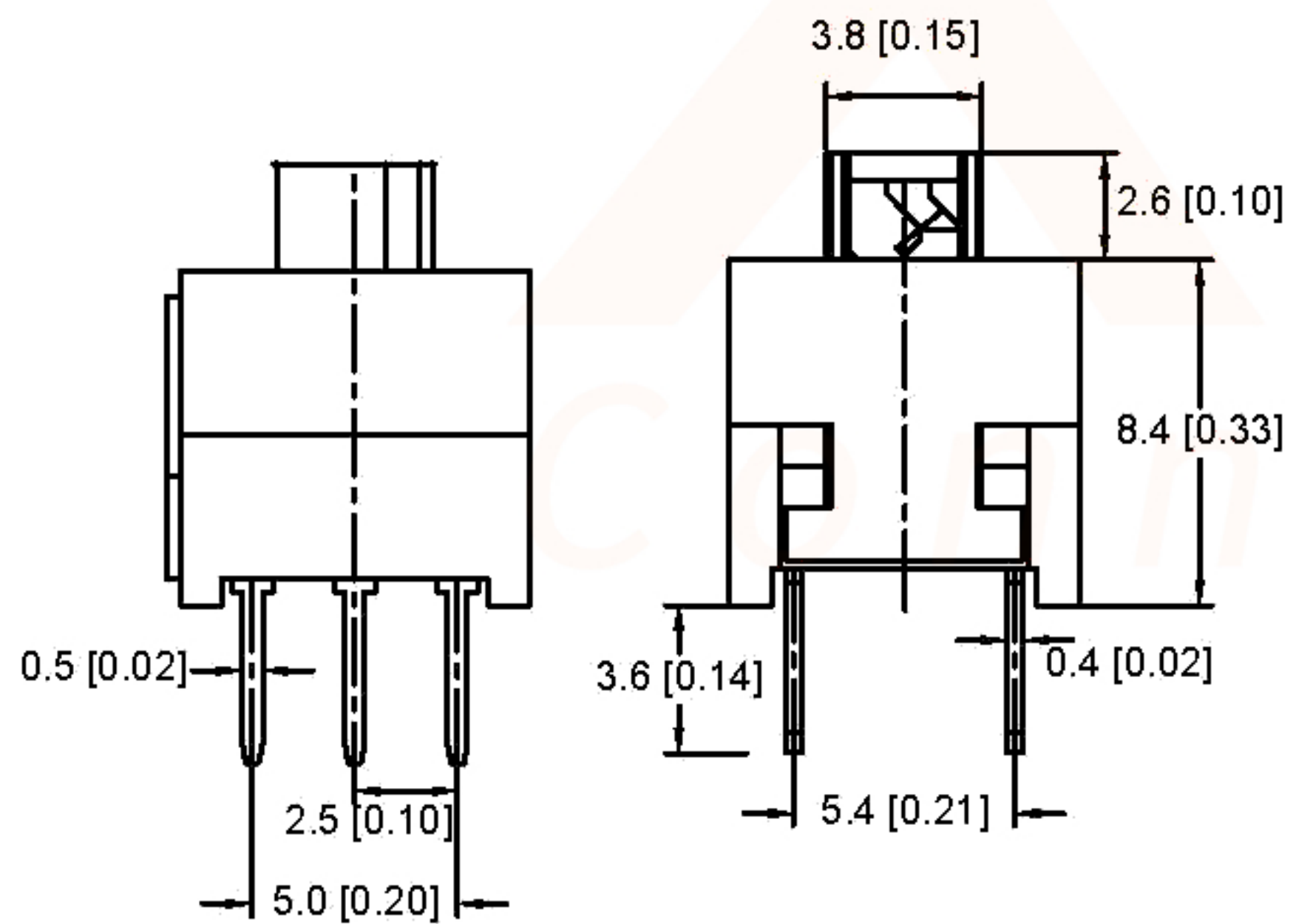
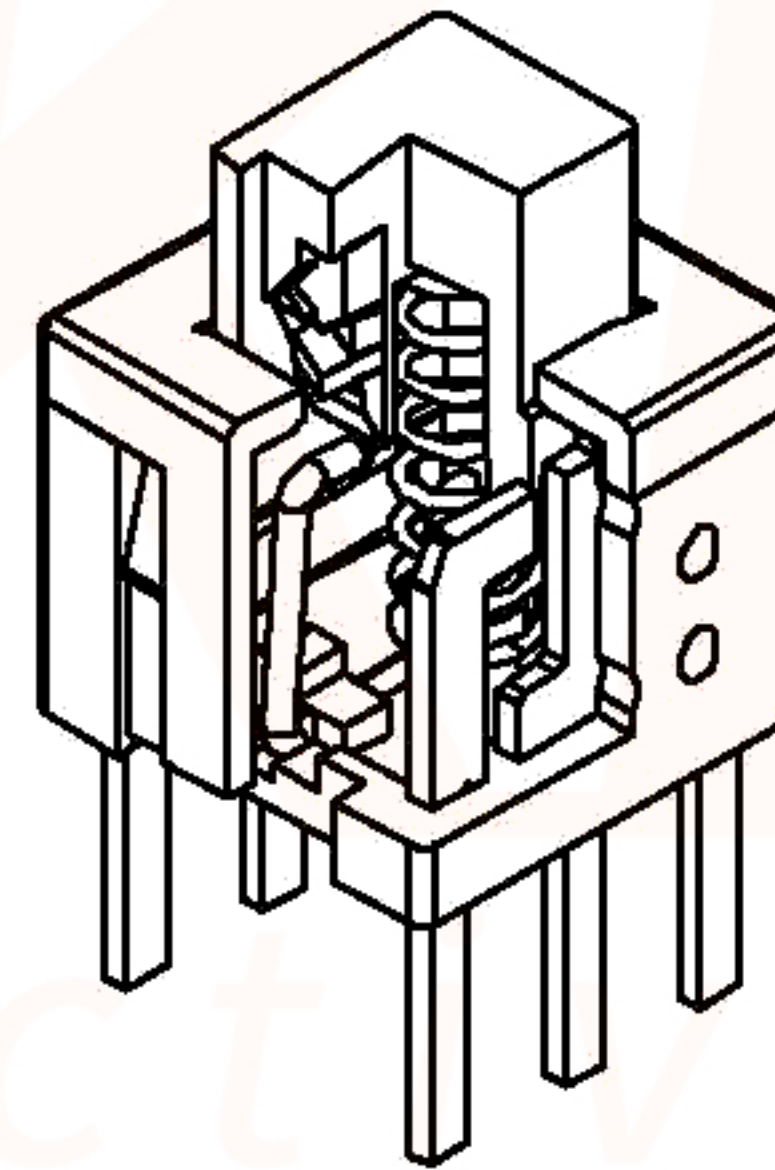


P.C.B LAYOUT  
BOTTOM VIEW



SCHEMATIC (NON-SHORTING)



**FEATURES**

- Light operating force.
- Long term low contact resistance.
- Momentary or latching operation.
- Short stroke 2.0mm to latch.
- Compact spacing on PCB of 8.5mm.

**SPECIFICATIONS**

1.ELECTRICAL

● Contact rating	0.1A, 30VDC
● Contact resistance	50mWMax.
● Insulation resistance	100MWMin. at 250VDC
● Dielectric strength	250VAC Min. for 60 sec.

2.MECHANICAL AND ENVIRONMENTAL

● Temperature rating	Operating: -15°C to +55°C Storage: -25°C to +65°C
● Operation force	160±80gf
● Stroke	Lock Stroke: 2.0±0.2mm Full Stroke: 2.5±0.2mm
● Operating life	full load: 1x10 <sup>4</sup> cycles no load: 1x10 <sup>5</sup> cycles
● Contact form	DPDT

PAPT NO	XKB8585-X-110
OPERATION	W:NO LOCK Z:LOCK

ITEM	PAPT NAMF	TER,NO	QTY	MATERIAL	FINISHING	REMARK
⑦	Contact	2	Phosphor bronze	Plating silvering		
⑥	Terminal	6	Brass	Plating silvering		
⑤	Spring	1	Sus	Natural		
④	Base	1	Pbt			
③	Crochet Needle	1	Sus	Natural		
②	Cover	1	Pom			
①	Keystake	1	Pom			

DSND	DATE	SCALE: N/A	MODEL TYPE: KEY SWITCH
DWN	DATE	VIEW:	PART NO.:
CHKD	DATE	UNIT: mm/in	DWG NO.:
APPD	DATE	SIZE: A4	XKB8585-X-110
UNSPECIFIED TOLERANCES			WEIGHT
XKB INDUSTRIAL PRECISION CO., LIMITED			1.0g
			SHEET
			1/1
			REVISION
			A0

MARK	DESCRIPTION	DATE	REVISED	APPROVED
ΔX				
ΔX				
ΔX				