

GENERAL DESCRIPTION

OB2007 is a high performance and highly integrated secondary side synchronous rectification controller used for secondary side rectification in switch mode power supply system. It drives a much lower voltage drop N-channel MOSFET to emulate the traditional diode rectifier at the secondary side of flyback converter, which can reduce heat dissipation, increase output current capability and efficiency, and simplify thermal design. It can support wide range of system output voltage 3V~21V.

It is suitable for multiple mode applications including discontinuous conduction mode (DCM), quasi-resonant mode (QR) and continuous conduction mode (CCM). The drain-to-source voltage of SR MOSFET is sensed to control the turn on and off of the SR MOSFET. In addition, to reduce SR falling time further, soft gate is implemented in OB2007, which would pull down the gate voltage level before being turned off thoroughly.

OB2007 is offered in SOT23-6 package.

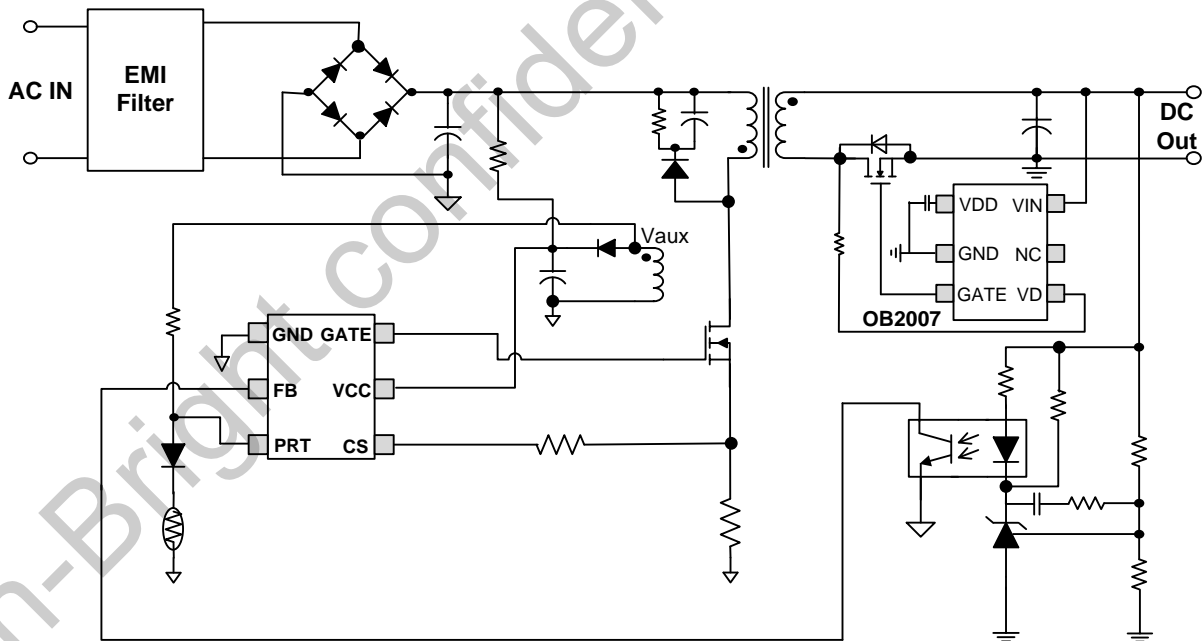
FEATURES

- Secondary-side synchronous rectification controller for 3V~21V output system
- Up to 180V VD pin high voltage tolerance
- Self-supplying for operation without the use of an auxiliary winding
- Suitable for DCM, QR and CCM operation
- Soft gate drive for fast turn-off
- Accurate secondary side MOSFET Vds sensing
- Adaptive off time control effectively avoid the ring impact induced by parasitic elements
- 3A/2A peak current sink/source driver capability
- VDD UVLO protection

APPLICATIONS

- AC/DC 3V~21V adaptors
- Low voltage rectification circuits

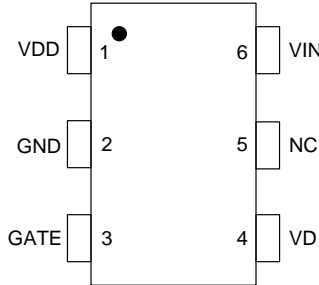
TYPICAL APPLICATION



GENERAL INFORMATION

Pin Configuration

The OB2007 is offered in SOT23-6 package, shown as below.



Absolute Maximum Ratings

Parameter	Value
VIN pin	-0.6V to 24V
VDD pin	-0.6V to 10.5V
VD pin	-2.5V to 180V ^{Note2}
Gate pin	-0.6V to 10.5V
Min/Max Operating Junction Temperature T _J	-40 to 150 °C
Min/Max Storage Temperature T _{stg}	-55 to 150 °C
Lead Temperature (Soldering, 10secs)	260 °C

Note1: Stresses beyond those listed under "absolute maximum ratings" may cause permanent damage to the device. These are stress ratings only, functional operation of the device at these or any other conditions beyond those indicated under "recommended operating conditions" is not implied. Exposure to absolute maximum-rated conditions for extended periods may affect device reliability.

Note2: -2.5V applies to minimum duty cycle during normal operation only.

Ordering Information

Part Number	Description
OB2007MP	SOT23-6, Halogen-free in T&R

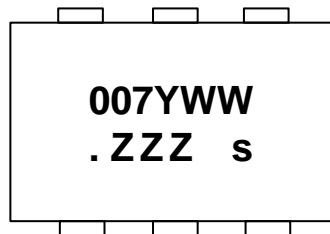
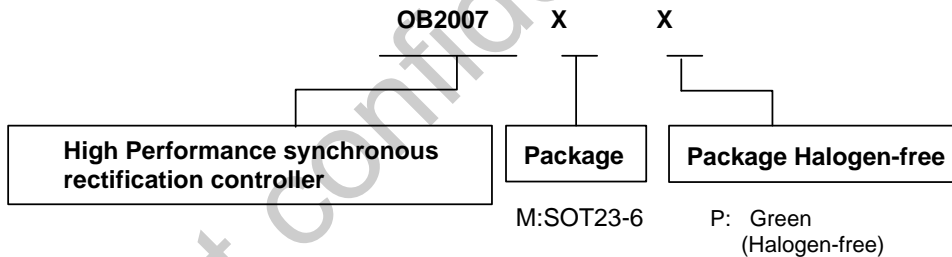
Package Dissipation Rating

Package	R θ JA(°C/W)	R θ JC(°C/W)
SOT23-6	200	60

Recommended Operating Range

Symbol	Parameter	Min/Max
VDD	VDD Supply Voltage	4.5V to 9.5V

Marking Information

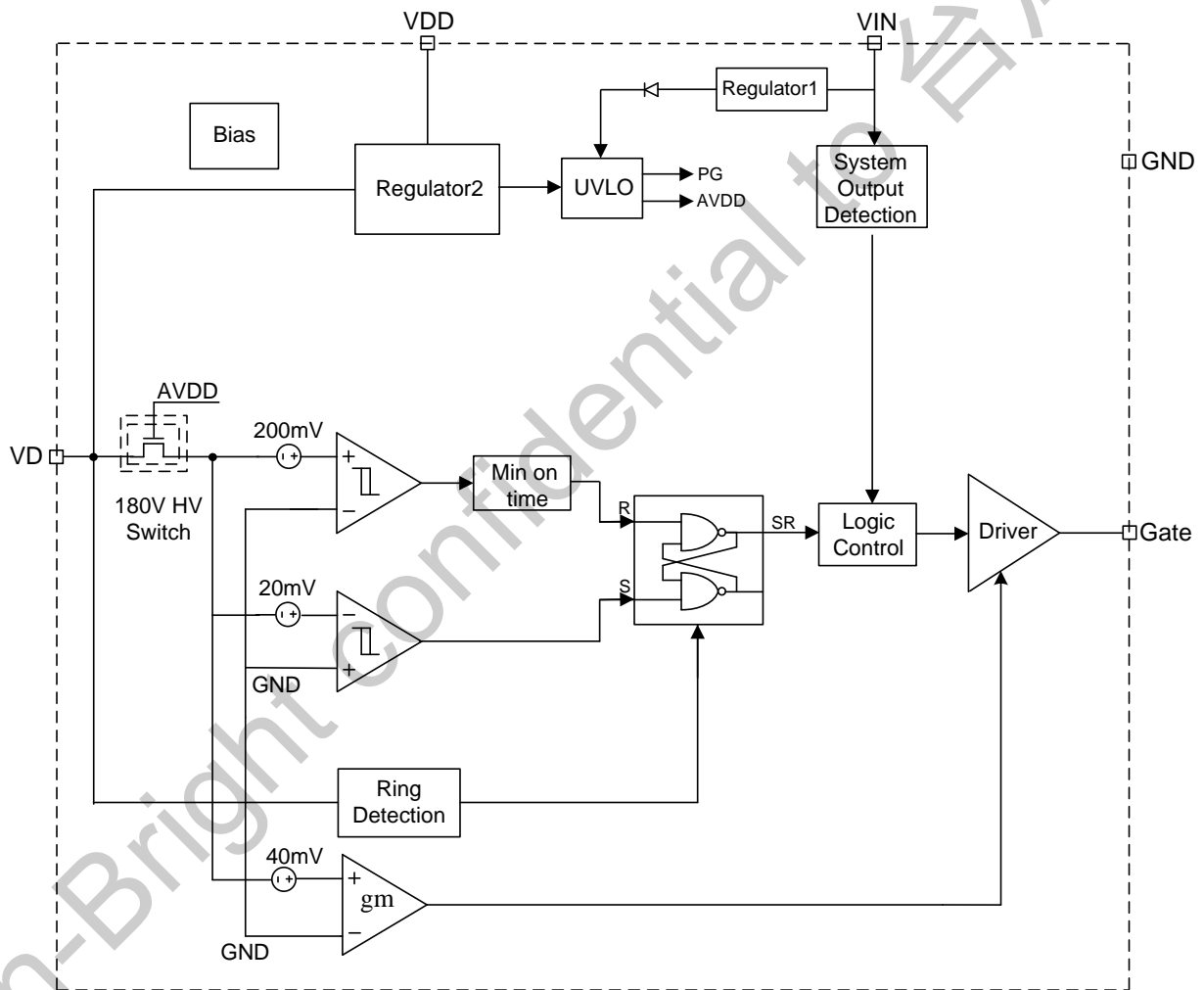


Y:Year Code
 WW:Week Code(01-52)
 ZZZ: Lot code
 s: Internal code

TERMINAL ASSIGNMENTS

Pin Name	I/O	Description
VDD	P	Power Supply
GND	P	Ground
Gate	O	Driver output for external N-channel MOSFET
VD	I	This pin is connected to external n-channel MOSFET drain, more than 50ohm resistor is recommended to connect between VD and MOS drain.
NC		Not connected
VIN	I	System output voltage detection

BLOCK DIAGRAM



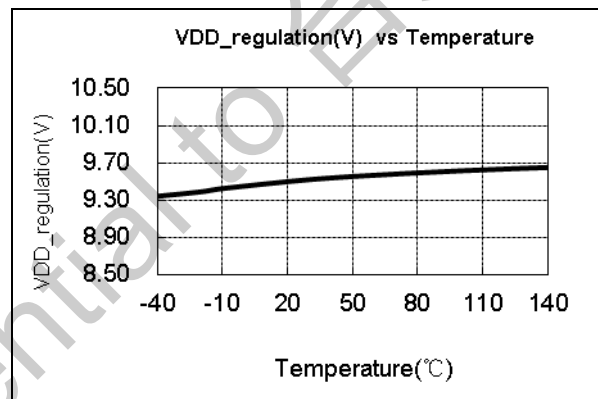
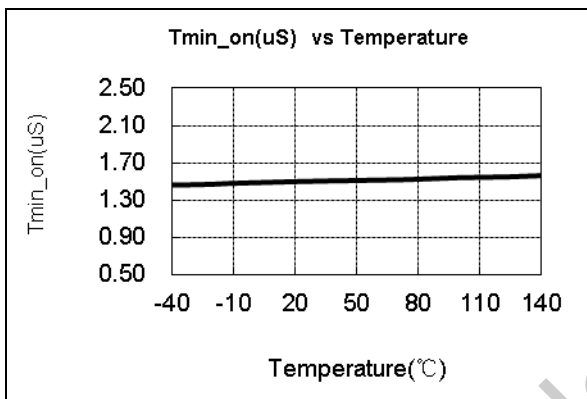
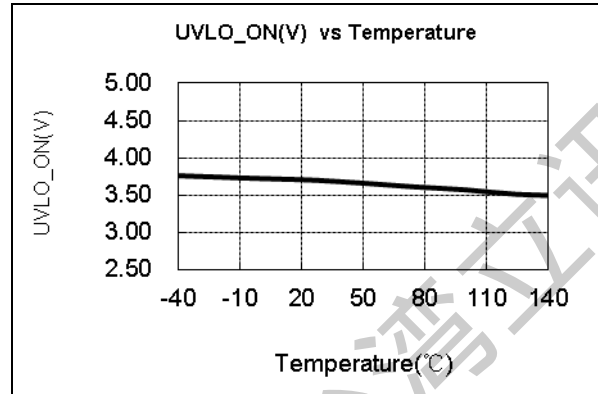
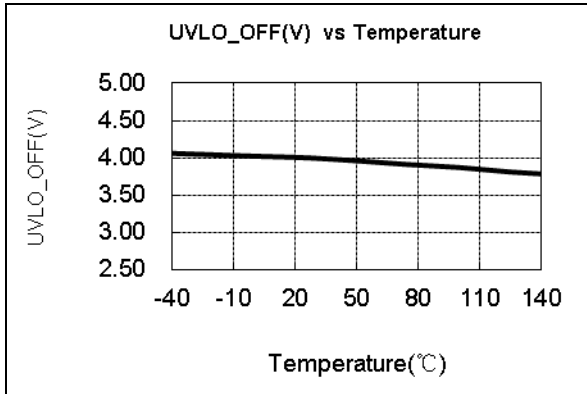
ELECTRICAL CHARACTERISTICS

 (T_A = 25°C, VDD=9.5V, unless otherwise noted)

Symbol	Parameter	Test Conditions	Min	Typ.	Max	Unit
Supply Voltage (VDD)						
I_Vdd_operation	Operation current	Frequency@VD=65KHz,VDH=30V,VDL= -0.5V,VDD=6.5V, Vin=5V, 1nF Cap load at GATE.		1.2	1.6	mA
		Frequency@VD=2KHz,VDH=30V,VDL= -0.5V,VDD=6.5V, Vin=5V, No load at GATE.		0.6	0.8	mA
Vdd_regulation	Vdd regulation voltage	Frequency@Vd=65KHz, Duty=25%,High level @VD=30V Vin=20V		9.5		V
		Frequency@Vd=65KHz, Duty=25%,High level @VD=30V Vin=5V		6.5		V
UVLO_OFF	VDD Under Voltage Lockout Exit		3.8	4.0	4.2	V
UVLO_ON	VDD Under Voltage Lockout Enter		3.5	3.7	3.9	V
VD Detection Section						
Vth_SR_act	SR MOSFET turn on threshold voltage detection at VD		-150	-200	-250	mV
Vth_SR_deact	Adjustable SR MOSFET turn off threshold voltage detection at Vd, Which is 0.2*Rd mV, and Rd is the resistor connected to Vd. ^(Note1)	Rd=0ohm		-20		mV
Tdelay_on	SR MOSFET fast path turn-on propagation delay			70		ns
	SR MOSFET slow path turn-on propagation delay			150		ns
Tdelay_off	SR MOSFET turn-off propagation delay			30		ns
T_minimum_on	SR MOSFET minimum on time			1.5		us
GATE driver Section						
VOH	Output high level @ VDD=9.5V			9.5		V
VOL	Output low level @ VDD=9.5V				1	V
Vsoft_reg	VDS regulation voltage			-40		mV
Tf	Falling time	Gate voltage falling from 9.5V to 1V @ C _L =1nF		15		ns
Tr	Rising time	Gate voltage rising from 1V to 9.5V @ C _L =1nF		15		ns

Note1: Rd can be chosen between 50~100 Ω

CHARACTERIZATION PLOTS



Operation Description

OB2007 is a high performance and highly integrated secondary side synchronous rectification controller in switch mode power supply system. It drives a much lower voltage drop N-channel MOSFET to emulate the traditional diode rectifier, which can reduce heat dissipation, increase output current capability and efficiency, and simplify the thermal design.

Startup and under voltage lockout (UVLO)

Whether OB2007 can operate normally or not depends on UVLO function implemented on chip. When power system is plugged in, VDD cap is charged from transformer secondary winding. When VDD rises above UVLO(off), the IC wakes up from under voltage lock out state, refer to Fig.1.

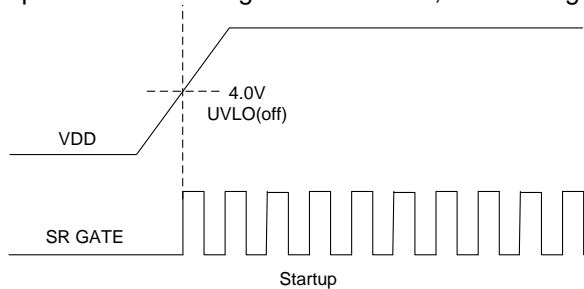


Fig.1 System start up timing diagram

With enough high V_{in} , OB2007 would be powered from VDD and system output (V_{in}), which can lead to better system efficiency. When VDD drops below UVLO(on), SR would be disable. Refer to the following timing diagram.

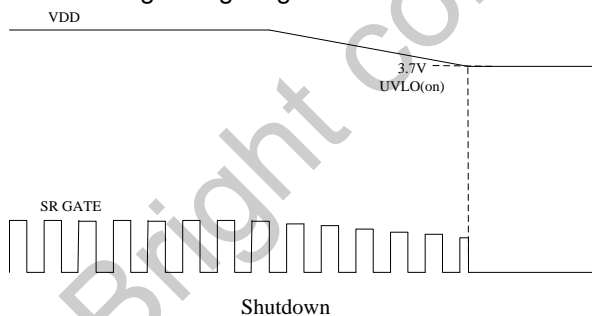


Fig.2 System shut down timing diagram

Additionally, there is a pull down on-chip 15Kohm resistor to avoid the misconducting by VD pulse coupling. Besides, a hysteresis window between UVLO(off) and UVLO(on) makes system work reliably.

Turn-on and Turn-off Phase

OB2007 controls the turn-on and turn-off of synchronization rectifier MOSFET (SR MOSFET) by detection of drain-source voltage of SR MOSFET. When demagnetization of transformer

starts, the secondary-side current will flow through the body diode of SR MOSFET and the voltage at the drain will drop to below -200mV (typical). As soon as OB2007 detects this negative voltage, the driver voltage is pulled high to turn on the SR MOSFET after variable delay time depending on input line voltage and loading condition, refer to Fig.3. This variable delay time can improve system immunity to noise.

After the SR MOSFET is turned on, the drain voltage of SR MOSFET begins to rise based on its $R_{ds(on)}$ and secondary-side current. The drain voltage becomes higher with demagnetization goes on. For reliable operation, OB2007 generates an adjustable SR turn-off threshold voltage based on resistor R_d on VD pin, which is determined by $0.2 \cdot R_d$ mV. When the drain voltage rises above SR turn off threshold, the gate of SR MOSFET will be pulled down to ground very quickly after turn-off delay, refer to Fig.3.

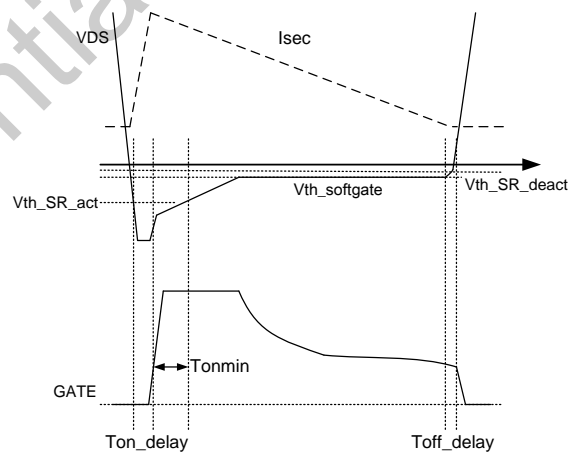


Fig.3 Synchronous Rectification Operation

Conduction Phase

Once the SR MOSFET is turned on, the gate drive voltage will remain at the high level during minimum on time. With the decrease of the switching current, the VDS will rise above $V_{th_softgate}$ (typ. -40mV), then the soft gate control is implemented. The gate voltage is pulled lower to enlarge the $R_{ds(on)}$ of the synchronous MOSFET, therefore VDS is adjusted to remain at -40mV during the rest of demagnetization time. The low level gate voltage saves the pull-down time, resulting in higher turn-off speed, which is very important in CCM mode.

Minimum on time

To avoid effectively false turn-off due to high frequency interference caused by parasitic element at the start of secondary-side

demagnetization, OB2007 offers a blanking time (minimum turn-on time) of 1.5 μ s.

Adaptive minimum off time

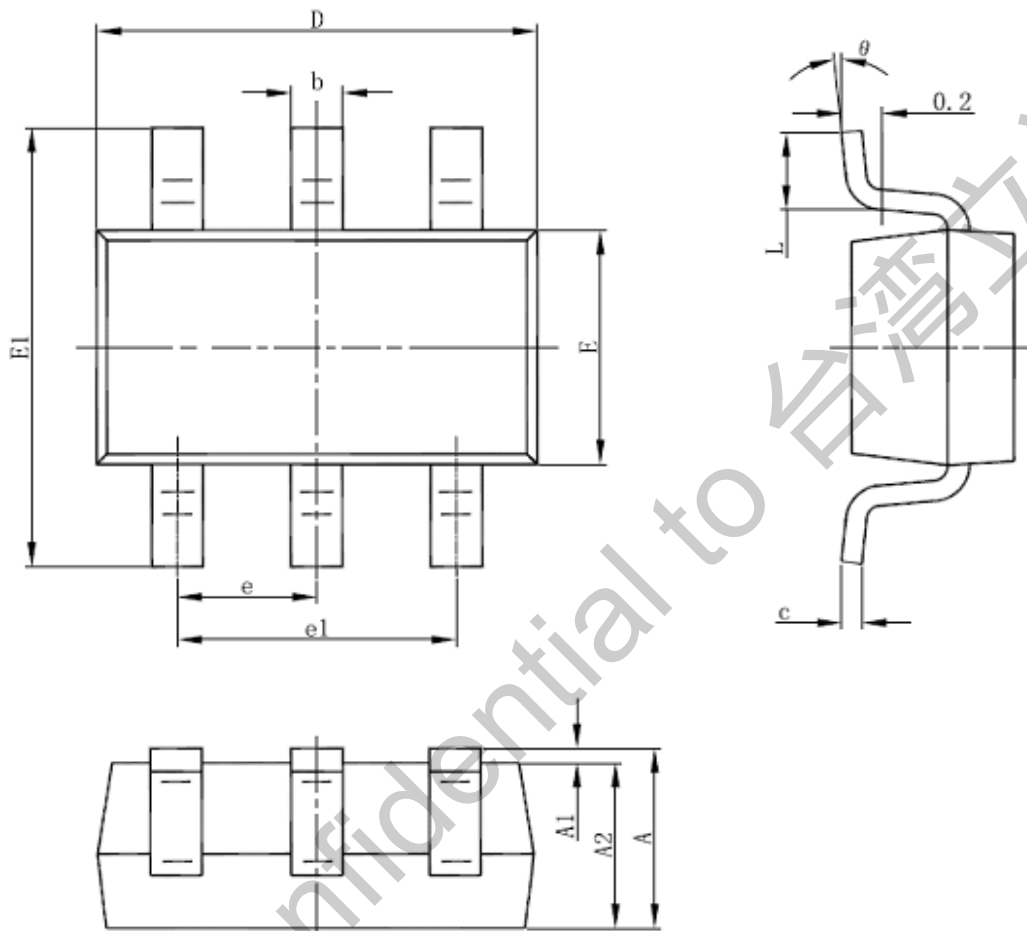
At the end of demagnetization, SR MOSFET will be turned off. The remaining current may flow through the body diode again, which may result in a negative voltage (about -700mV) appearing at the drain and the SR MOSFET will turn on again. In addition, the resonance oscillation between the magnetization inductance and parasitic capacitance after demagnetization may cause a negative drain voltage. These may turn on the SR MOSFET unexpectedly. To avoid this, a constant minimum off time can be used to screen it. But it may disturb SR MOSFET operation. For reliable SR operation

to achieve reliable SR operation, an adaptive minimum off time control is implemented in OB2007, which can guarantee reliable synchronous rectification operation.

Gate driver

For good and efficient synchronous rectification operation, the SR MOSFET should be turned on/off in very short time. Therefore, a strong driver capability is needed. OB2007 can offer a typical source capability of 2A and a typical sink capability of 3A. This guarantees fast turn-on and turn-off of the SR MOSFET. In addition, in order to further speed up gate turn-off, soft gate control is implemented. Refer to the Conduction Phase section for soft gate control.

PACKAGE MECHANICAL DATA



Symbol	Dimensions In Millimeters		Dimensions In Inches	
	Min	Max	Min	Max
A	1.000	1.450	0.039	0.057
A1	0.000	0.150	0.000	0.006
A2	0.900	1.300	0.035	0.051
b	0.300	0.500	0.012	0.020
c	0.080	0.220	0.003	0.009
D	2.800	3.020	0.110	0.119
E	1.500	1.726	0.059	0.068
E1	2.600	3.000	0.102	0.118
e	0.950 (BSC)		0.037 (BSC)	
e1	1.800	2.000	0.071	0.079
L	0.300	0.600	0.012	0.024
θ	0°	8°	0°	8°

IMPORTANT NOTICE

RIGHT TO MAKE CHANGES

On-Bright Electronics Corp. reserves the right to make corrections, modifications, enhancements, improvements and other changes to its products and services at any time and to discontinue any product or service without notice. Customers should obtain the latest relevant information before placing orders and should verify that such information is current and complete.

WARRANTY INFORMATION

On-Bright Electronics Corp. warrants performance of its hardware products to the specifications applicable at the time of sale in accordance with its standard warranty. Testing and other quality control techniques are used to the extent it deems necessary to support this warranty. Except where mandated by government requirements, testing of all parameters of each product is not necessarily performed.

On-Bright Electronics Corp. assumes no liability for application assistance or customer product design. Customers are responsible for their products and applications using On-Bright's components, data sheet and application notes. To minimize the risks associated with customer products and applications, customers should provide adequate design and operating safeguards.

LIFE SUPPORT

On-Bright Electronics Corp.'s products are not designed to be used as components in devices intended to support or sustain human life. On-bright Electronics Corp. will not be held liable for any damages or claims resulting from the use of its products in medical applications.

MILITARY

On-Bright Electronics Corp.'s products are not designed for use in military applications. On-Bright Electronics Corp. will not be held liable for any damages or claims resulting from the use of its products in military applications.