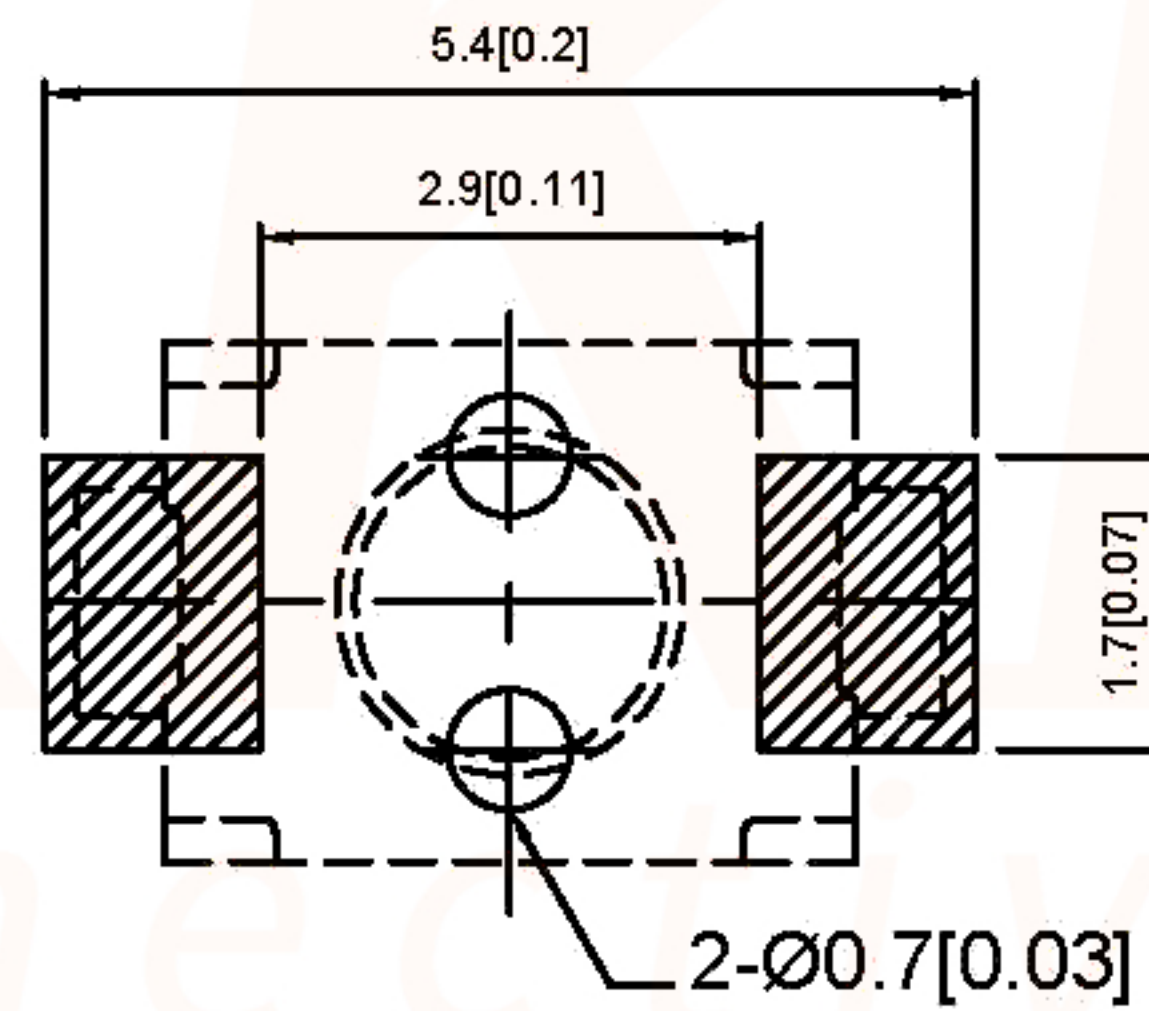
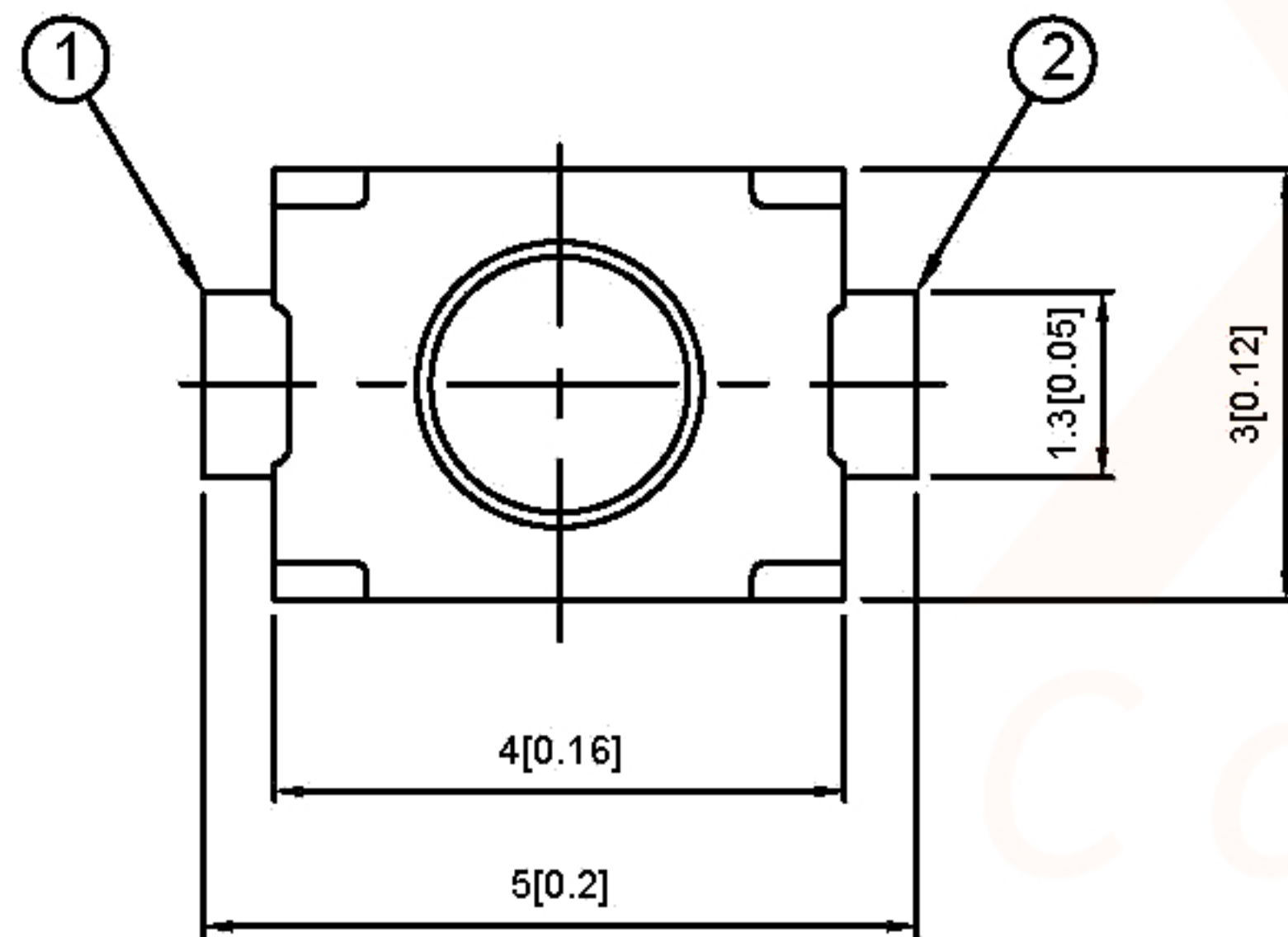


**SPECIFICATION**

Contact Rating:	50mA, 12V DC
Contact Resistance:	100mΩ max
Insulation Resistance:	100mΩ min. 500V DC
Dielectric Strength:	250V AC/1 minute
Travel:	0.13mm
Operating Temp:	-30°C~+85°C
Storage Temp:	-30°C~+80°C

PCB MOUNTING PATTERN DIMENSION  
The following soldering patterns are recommended for reflow soldering



PAPT NO	TS-1185-X-X-X-B
Operating Force	A:100gf B:160gf C:260gf
Height	H:A:2.0 B:2.5
Fixed column	A:With B:Without
Keystake	A:PA46 B:Silica gel

**CIRCUIT DIAGRAM**



⑤	Terminal	—	2	Brass (0.30t)	Plating silvering	—
④	Contact	—	1	F.ag/Sus	Natural	—
③	Base	—	1	LCP		—
②	Cover	—	1	Brass	Plating Nickel	—
①	Keystake	—	1	Silica gel		—
ITEM	PAPT NAMF	TER,NO	QTY	MATERIAL	FINISHING	REMARK

DSND	DATE	SCALE: N/A	MODEL TYPE:
DWN	DATE	VIEW:	TACT SWITCH
CHKD	DATE	UNIT: mm/in	PART NO.:
APPD	DATE	SIZE: A4	DWG NO.:
			TS-1185-X-X-X-B
XKB INDUSTRIAL PRECISION CO., LIMITED			WEIGHT: 1.0g
			SHEET: 1/1
			REVISION: A0

units:	mm			
tolerance:				
X.X	±0.2mm			
X.XX	±0.1mm			
X.XXX	±0.05mm			
UNSPECIFIED TOLERANCES				
MARK	DESCRIPTION	DATE	REVISED	APPROVED
ΔX	REVISIONS			
www.xk-dg.cn	www.helloxkb.com	www.helloxkb.cn		