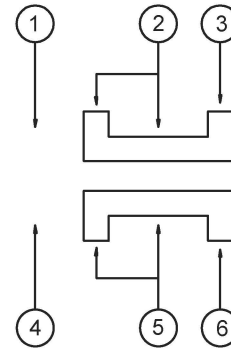
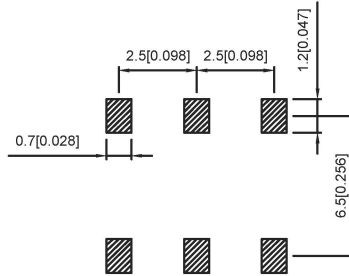
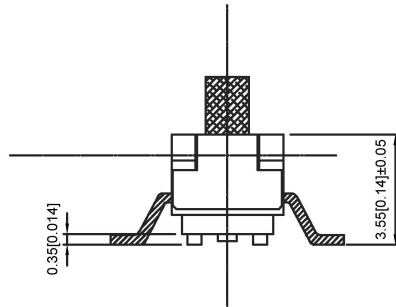


NOTE:
 Rating: DC 12V 50mA
 Operating Force: 200±100gf
 Lifetime: 10,000 Cycles



PAPT NO	L
SS-3235S-L1	2.0
SS-3235S-L2	3.0
SS-3235S-L3	4.0



ITEM	PAPT NAME	TER,NO	QTY	MATERIAL	FINISHING	REMARK
5	Terminal	6	Brass (0.30t)	ag Plated		
4	Contact spring	1	Phosphor branze	ag Plated		
3	Base	1	Pa46	Black		
2	Cover	1	Sus	Natural		
1	Keystake	1	Pa46	Black		

广东星坤科技股份有限公司

生	日期
效	
效	
效	
MARK	文件工程章

DESCRIPTION	DATE	REVISED	APPROVED	UNSPECIFIED TOLERANCES

DSND	DATE	SCALE: N/A	MODEL TYPE: SLIDE SWITCH
DWN	DATE	VIEW:	PART NO.:
CHKD	DATE	UNIT: mm/in	DWG NO.: SS-3235S-X
APPD	DATE	SIZE: A4	WEIGHT: 1.0g
KKB INDUSTRIAL PRECISION CO., LIMITED			SHEET: 1/1
			REVISION: A0