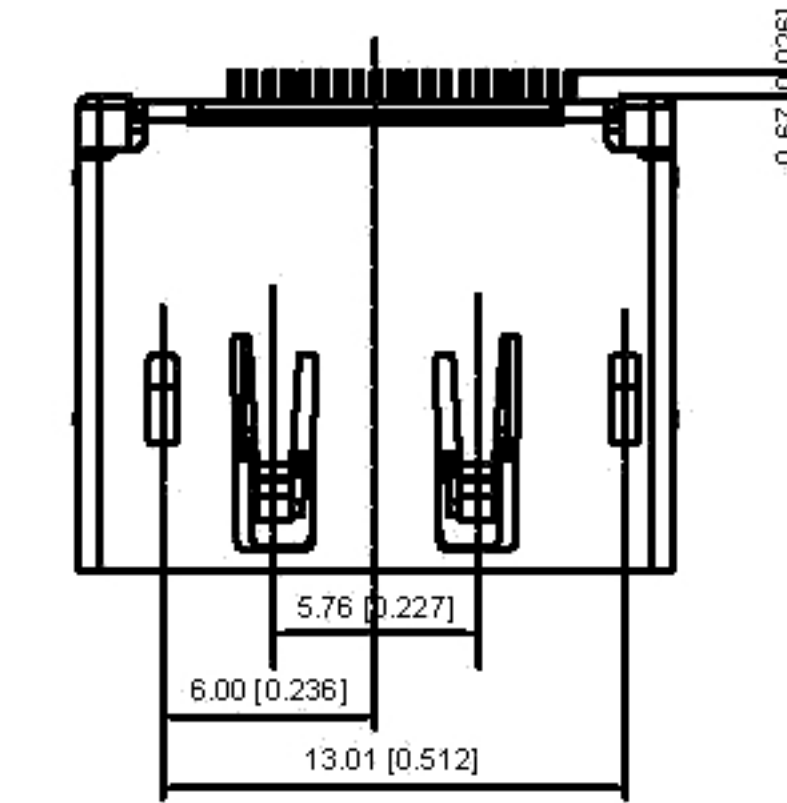
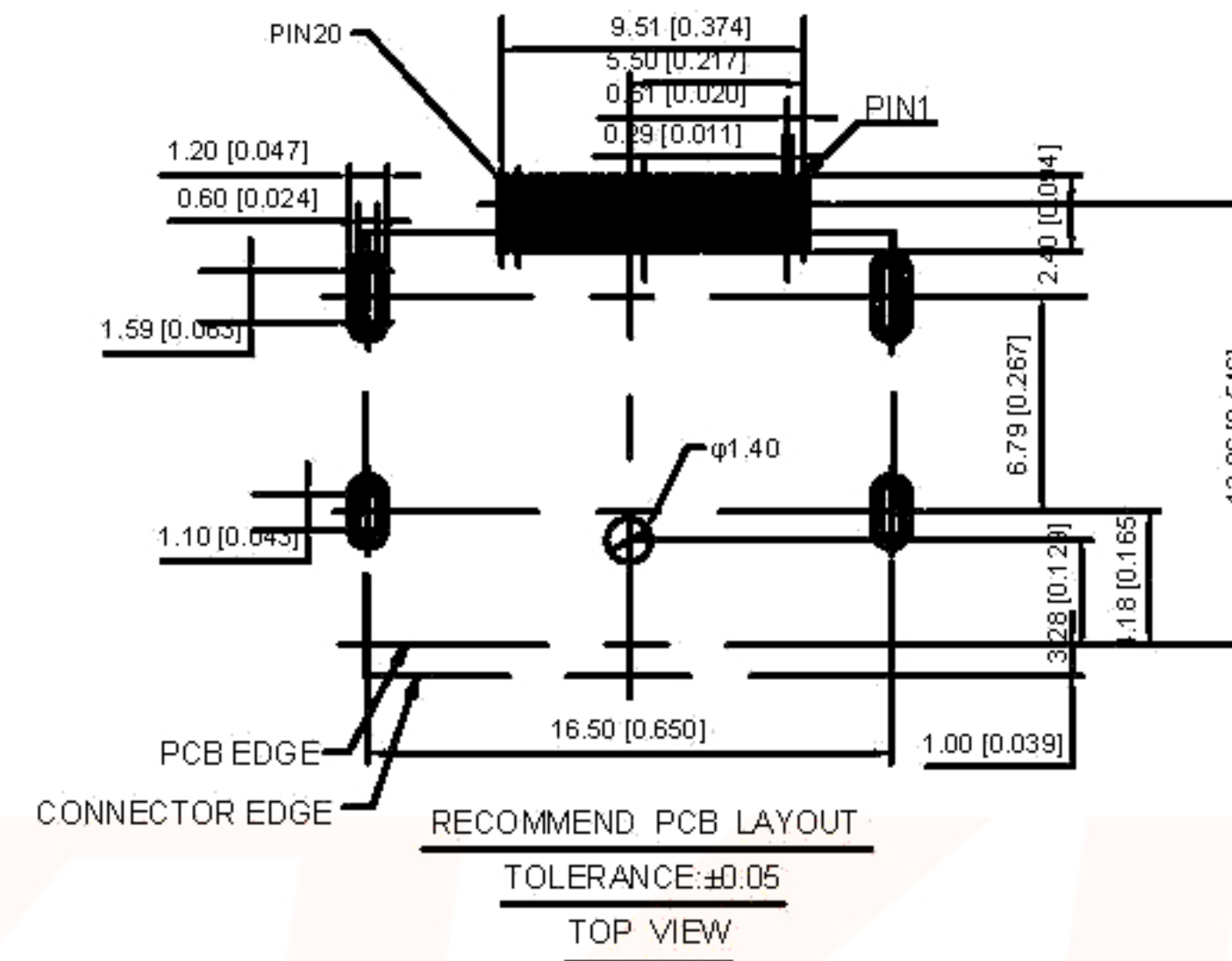
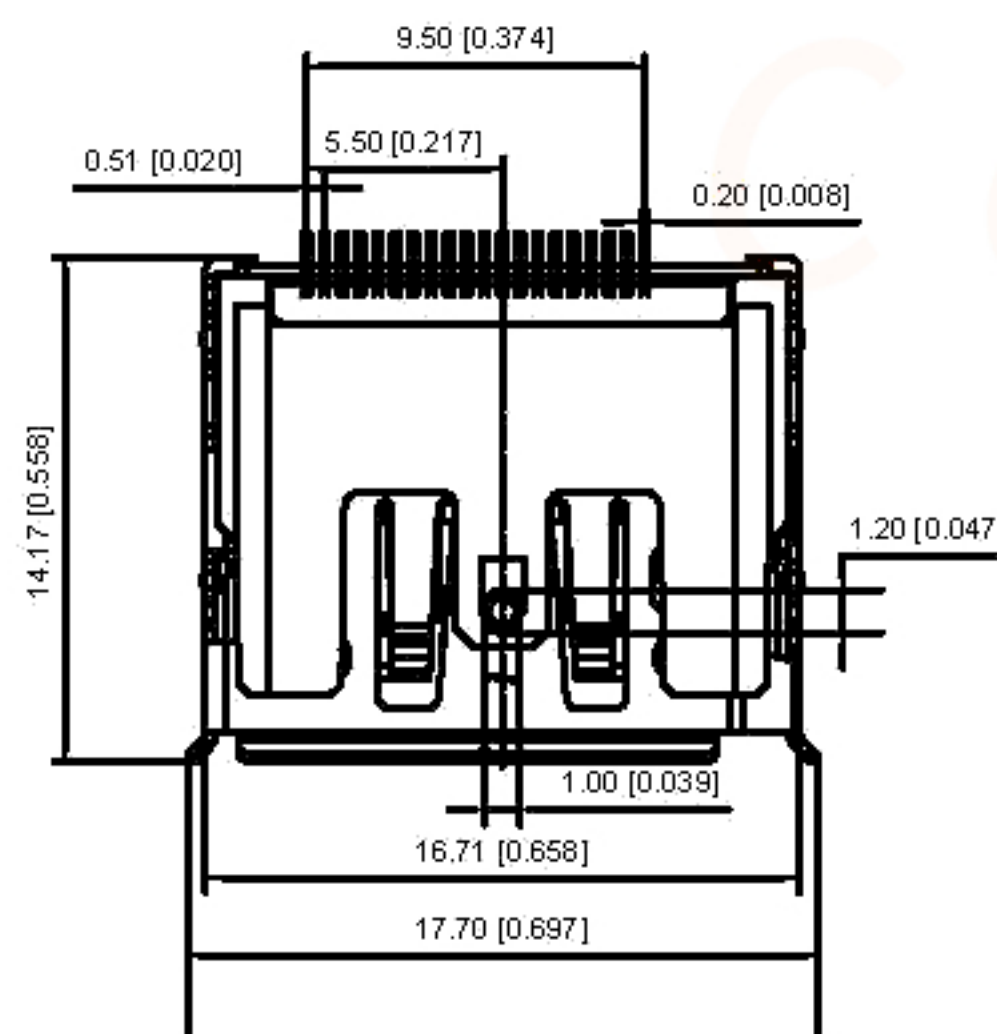
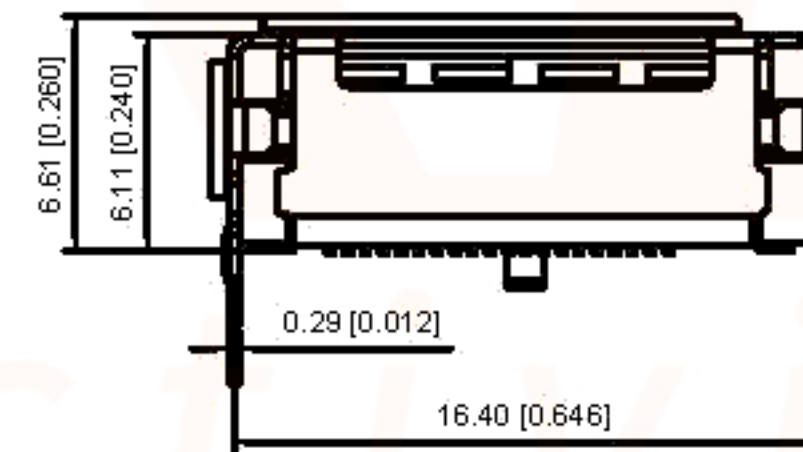
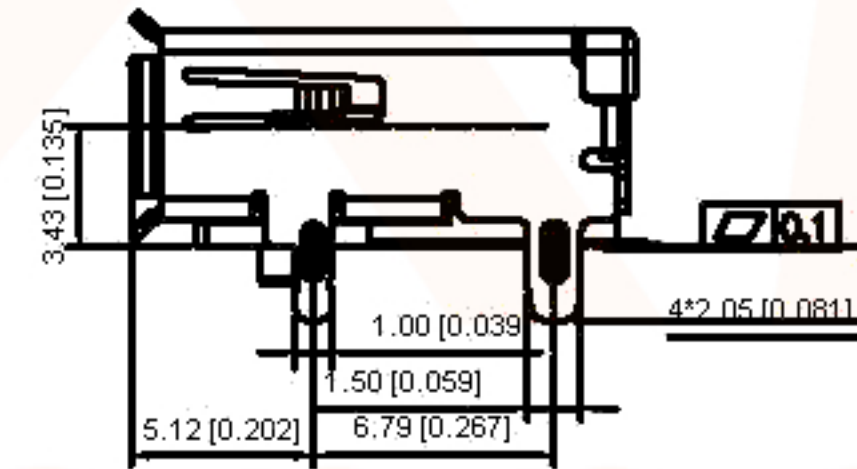
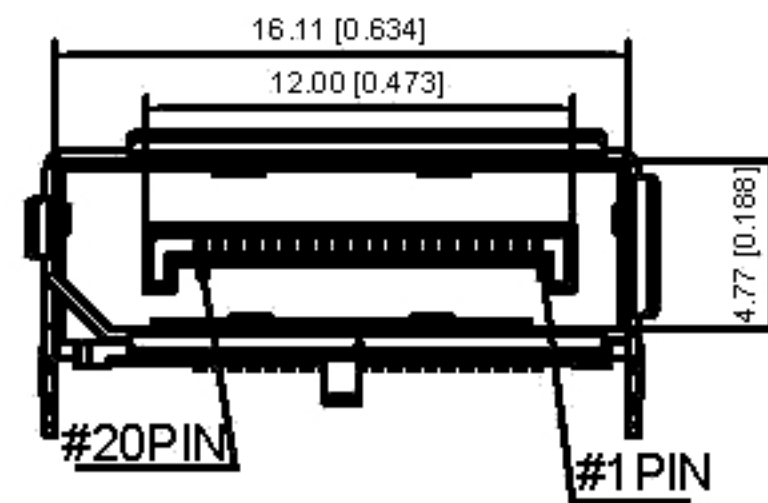


S:Scrolls



F: Flat



MATERIALS

1. HOUSING: LCP (UL94V-0), BLACK.
2. TERMINAL: COPPER ALLOY, GOLD PLATED ON CONTACT AREA, TIN PLATED ON SOLDER TAILS, NICKEL PLATED OVERALL.
3. SHELL: STAINLESS STEEL, NICKEL PLATED OVERALL.

SPECIFICATION

1. CURRENT RATING: 0.5A. MAX.
2. DIELECTRIC WITHSTANDING VOLTAGE: 500V AC R.M.S. FOR ONE MINUTE.
3. INSULATION RESISTANCE: 100MΩ MIN. AT 500V DC.
4. CONTACT RESISTANCE: 30mΩ MAX.
5. OPERATING TEMPERATURE: -25°C TO +85°C.
6. DURABILITY: 10000 CYCLES.
7. MATING FORCE: 4.5kgf MAX.
8. UNMATING FORCE: 1.0kgf MIN.

CAR06 - 201EN X X

- ① PACKAGE
2=TAPE REEL
5=TAPE REEL+MYLAR
- ② Interface type
S:Scrolls
F:Flat

DSND		DATE		SCALE: N/A	MODEL TYPE: DP CONNECTOR
DWN		DATE		VIEW:	PART NO.:
CHKD		DATE		UNIT: mm/in	DWG NO.: CAR02-201ENXX
APPD		DATE		SIZE: A4	
UNSPECIFIED TOLERANCES					WEIGHT
XKB INDUSTRIAL PRECISION CO., LIMITED					SHEET
					REVISION
					1.0g
					1/1
					A0

ΔX					ANGLAR	±5°
ΔX					L ≤ 4	±0.2
ΔX					4 < L ≤ 16	±0.3
MARK	DESCRIPTION	DATE	REVISED	APPROVED	16 < L ≤ 63	±0.4
					L > 63	±0.5

REVISIONS
www.xk-dg.cn www.hellaxkb.com www.hellaxkb.cn