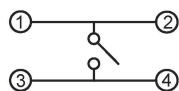
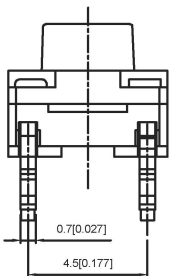
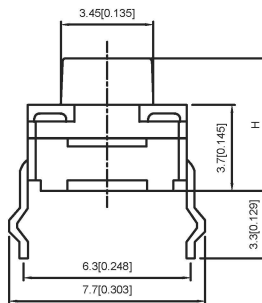


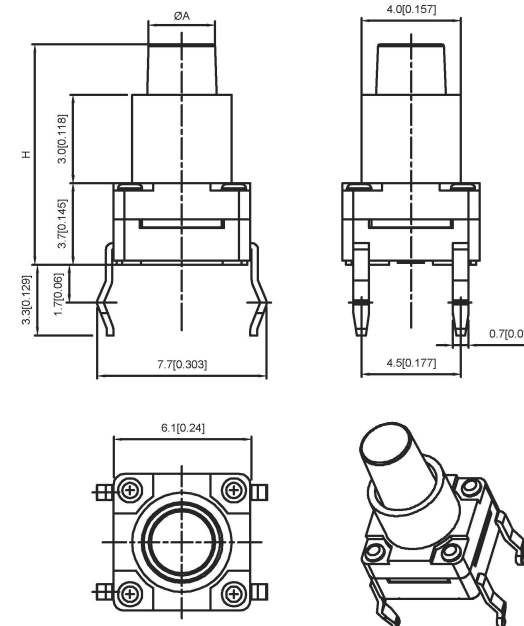
P.C.B LAYOUT
MOUNTING PATTERN



CIRCUIT DIAGRAM

Code-X	H
A	4.3
B	4.5
C	5.0
D	5.5
E	6.0
F	6.5
G	7.0
H	7.5
I	8.0
J	8.5
K	9.0

Code-X	H
L	9.5
M	10.0
N	10.5
O	11.0
P	11.5
Q	12
R	12.5
S	13.0
T	13.5
U	14.0
V	15.0
W	15.5
X	16
Y	16.5
Z	17
18	18
19	19



SPECIFICATION

Contact Rating: 50mA, 12V DC
 Contact Resistance: 100mΩ max
 Insulation Resistance: 100mΩ min. 500V DC
 Dielectric Strength: 250V AC/1minute
 Travel: 0.25mm
 Operating Temp: -25℃~+80℃
 Storage Temp: -30℃~+80℃

PAPT NO	TC-FS66D-X-X
Operating Force	A:100gf B:160gf C:260gf
Height	Code-X

ITEM	PAPT NAMF	TER,NO	QTY	MATERIAL	FINISHING	REMARK
⑤	Terminal	—	4	Brass (0.30t)	Plating silvering	—
④	Contact	—	1	F.ag/Sus	Natural	—
③	Base	—	1	Ppa	—	—
②	Cover	—	1	Ppa	—	—
①	Keystake	—	1	Ppa	—	—

广东星坤科技股份有限公司

生	日期
ΔX	
ΔX	
ΔX	
MARK	

文件工程章

REVISIONS UNSPECIFIED TOLERANCES

www.helloxb.com www.helloxb.com www.helloxb.com

DSND	DATE	SCALE: N/A	MODEL TYPE:
DWN	DATE	VIEW:	TACT SWITCH
CHKD	DATE	UNIT: mm/in	PART NO.:
APPD	DATE	SIZE: A4	DWG NO.:
XKB INDUSTRIAL PRECISION CO., LIMITED			TC-FS66D-X-X
WEIGHT	SHEET	REVISION	
1.0g	1/1	A0	