

RoHS & HF Compliant

NOTE:

1. Material:
Housing: PBT White;Thermoplastics,UL94V-0(Halogen free)
Contact: Copper Alloy
Shell: Copper Alloy
2. FINISH:
Contact: Gold 3u" Plated on Contact Area,
80u" Min.Tin Plated on Solder Tails Area,
50u" Min.Nickel Underplating Over All.
Shell: 50u" Min.Nickel Underplating Over All.
3. Specification:
3.1: Rated current: 1.5 A
Insulation Resistance:
1000MΩ Min. at 500V/DC for 1Minute.
Withstanding voltage: 500 VAC/minute
Contact Resistance: 30 m ohms Max.
3.2: MECHANICAL
Mating force: 35N Max.
Unmating force(Without lock):12N Min.
Durability: 3000 cycles.
4. Ordering information

USB AF DIP - 353-HW

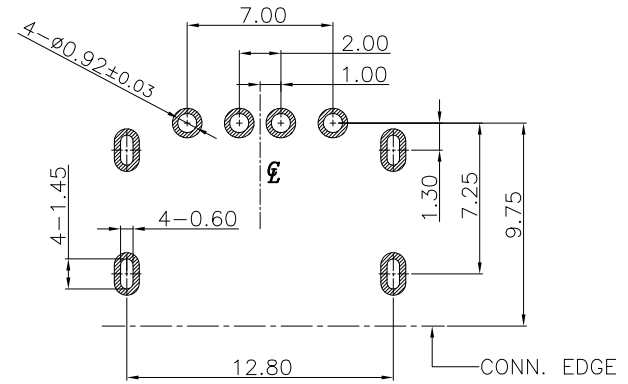
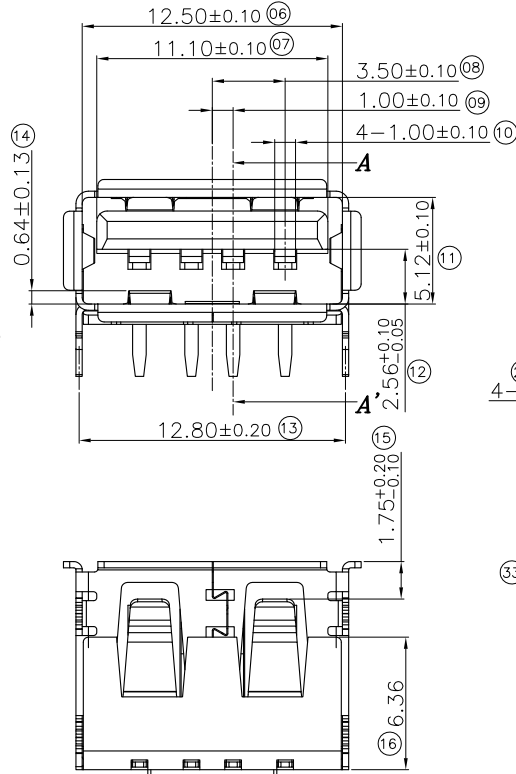
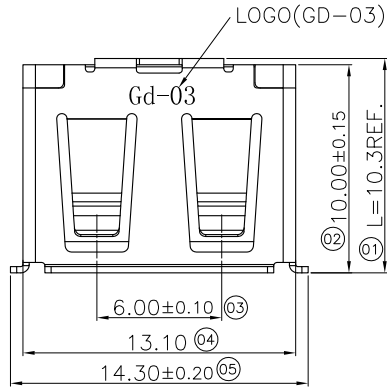
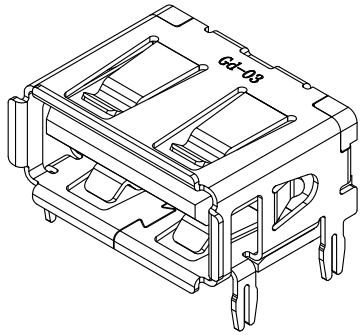
USB SERIES ———— Halogen Free,White

CONNECTOR TYPE ———— FOLLOW NUMBER

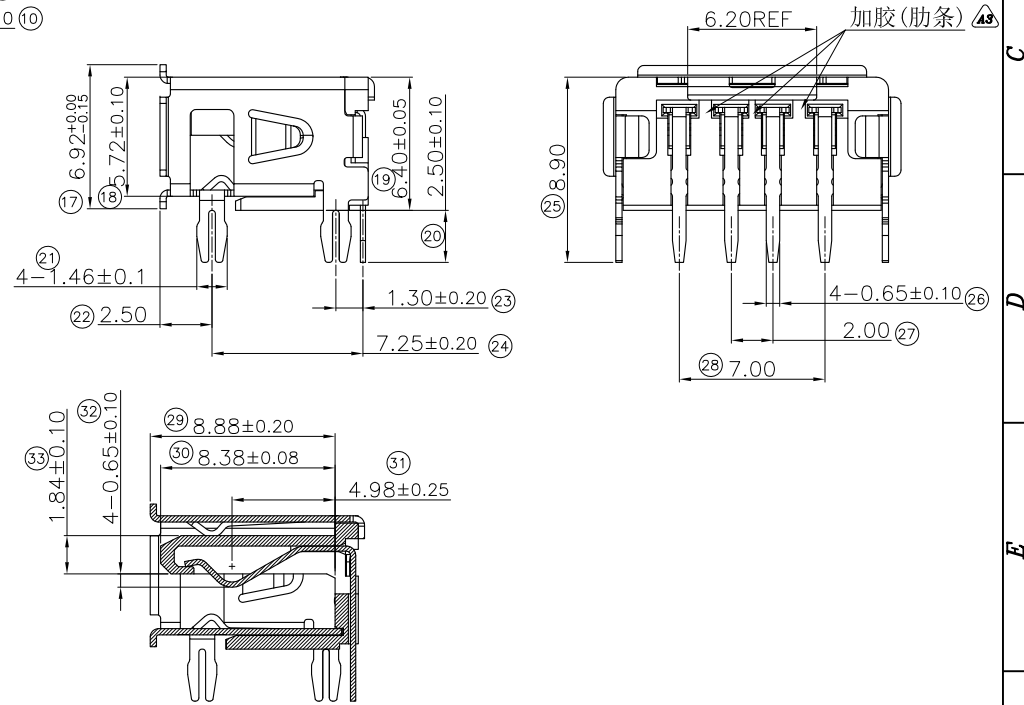
A TYPE FEMALE

CONNECTOR STYLE ————

DIP TYPE



RECOMMENDED PCB LAYOUT(TOP VIEW)
GENERAL TOLERANCES:±0.05



SECTION A-A'

3	外壳	GUB50B-1L2-NN12	铜壳镀可焊锡50u Min.	1PCS
2	端子	GUB43P-1J2-NP03	接触区镀金3u" 焊接区镀亮锡80u"Min.	4PCS
1	胶芯	HUB35T-1A4-WX00-H	PBT白色,无卤	1PCS

A4	高端LOGO印字修改为GD-03	18.12.26	Lua	Stanly
A3	产品主体背部加胶(肋条)	16.08.17	XCL	Stanly
A2	修改尺寸与客户要求一致	15.12.16	XCL	Stanly
版本	设变内容	日期	修改	核准
REV.	MODIFICATION	DATE	DRAW	APPROVE
				审核
				CHECKED

單位	mm	*. Inspection Item	HJ-Tech 东莞市皇捷通讯科技有限公司
比例	1:1	④: Cp/Cpk and SPC Control Item	DONGGUAN HUANGJIE COMMUNICATION TECHNOLOGY CO., LTD.
SCALE	1:1	TOLERANCE UNLESS OTHERWISE SPECIFIED	圖號
張數	1/1	.X±0.25 .X'±3'	DWG NO.
SHEET		.XX±0.20 .X'±1'	名稱
製圖	XCL	.XXX±0.10 .XX±	TITLE
DRAWIN			角法
審核			PROJ.
客戶圖			